

AIRCRAFT ACTUAL WEIGHT AND HORIZONTAL BALANCE

FOR S-76 MODEL HELICOPTER

Prepared By : Keystone Helicopters

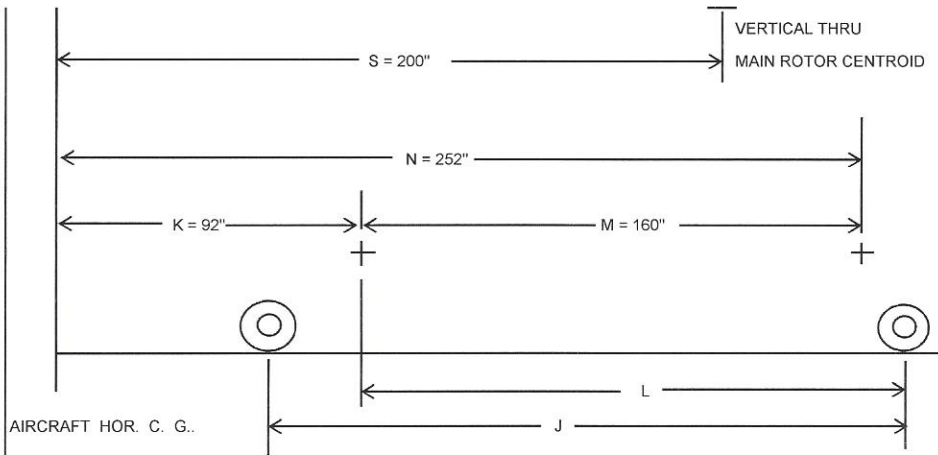
Sheet 1 of 2

Date : 14 Dec. 2004

Reg.No. : N80RP

Serial No. : 760368

REACTION WHEEL OR JACK POINT	SCALE NO.	SCALE READING (LB)	TARE	SCALE ERROR	SYMBOL	NET WEIGHT
LEFT MAIN	Red	3149	0	0	WL	3149
RIGHT MAIN	YEL	3013	0	0	WR	3013
NOSE	Blu	2557	0	0	WN	2557
TOTAL WEIGHT				0	w	8719



WEIGHING ON JACKS  $\frac{92'' \times WN}{W} + \frac{(WL + WR) \times 252''}{W} = \text{C. G.}$

WEIGHING ON WHEELS  $92'' + L - \frac{(WN \times J)}{W} = \text{C. G.}$

CORRECTED WEIGHT AND HORIZONTAL BALANCE

ITEMS ADDED & SUBTRACTED	WEIGHT (LB)	HORIZONTAL DIST (in) C.G. TO FWD DATUM	MOMENT (lb in.)
Aircraft as Weighed	8719.0	205.08	1788068
Plus - Unuseable Fuel	25.0		5450
Minus - Oil and W/W Fluid	44.5		9254
EMPTY TOTAL WEIGHT GROSS	8699.5	205.10	1784264
BALANCE	205.10 (Corrected)	Horizontal Dist. -s= 5.10 Fwd. of Main Rotor Centroid xxx Att	

Witnessed By \_\_\_\_\_

S 83201.2 (B)

Figure 2-8. Chart B (Sheet 2 of 4)

OCTOBER 31, 1985

2-30 Note: Aircraft was weighted with Revere Jetweigh weighing kit P/N 64003-03  
S/N 6260U calibration date: Dec. 10, 2004

**SIKORSKY76**  
 FLIGHT MANUAL

ITEMS ADDED

ITEM	WEIGHT	ARM	MOMENT
Unuseable Fuel	25.0	218.0	5450.0
TOTAL	25.0	218.00	5450.0

ITEMS SUBTRACTED

ITEM	WEIGHT	ARM	MOMENT
Engine Oil	40.3	224	9027.2
Windsheild Washer Fluid	4.2	54	226.8
TOTAL	44.5		9254

S 83201.4 (B)

Figure 2-8. Chart B (Sheet 2 of 4)  
 OCTOBER 31, 1985

