



**VEHICLE FACTORS ATTACHMENT**

**9900ix SFA 6x4 Standard Chassis Specs (Oct 2003)**

**Teutopolis, IL**

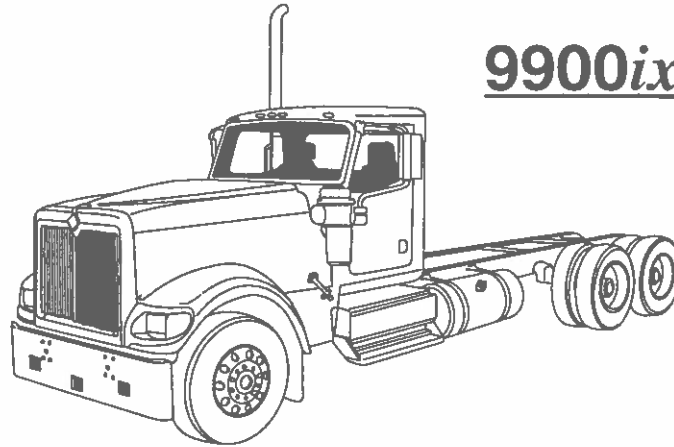
**HWY23MH017**

(5 pages)



# 9000i SERIES CONVENTIONAL STANDARD CHASSIS SPECIFICATIONS

GAW Rating (lbs.)	
STD.	MAX.
Front	12,000 14,000
Rear	40,000 46,000
GVW Rating (lbs.)	
Total	52,000 60,000
GCW Rating (lbs.)	
STD.	MAX.
Total	90,000 140,000



## 9900ix SFA 6x4

Model Code:  
L935700

**NOTE: Model Code and Wheelbase Must Be Specified on Order.**

Wheelbase (in.)	Chassis Weights (lbs.) **			Dimensions (in.)				Turning Radius			
	Front	Rear	Total	CA	CF	AF	OAL	To Curb		W/Bumper Clearance	
*185	8,111	7,325	15,436	85	138	53	267.7	27ft.	1 in.	28ft.	0 in.
222	8,177	7,387	15,564	122	175	53	304.7	31 ft.	11 in.	32 ft.	10 in.
234	8,195	7,404	15,599	134	187	53	316.7	33 ft.	5 in.	34 ft.	4 in.
246	8,213	7,421	15,634	146	199	53	328.7	35 ft.	0 in.	35 ft.	11 in.
258	8,232	7,437	15,669	158	211	53	340.7	36ft.	6 in.	37 ft.	5 in.

**NOTES:** Chart data based on vehicle with standard equipment. Artwork may show some optional equipment.

\* Optional add-on weights for this model are based on the 185" wheelbase.

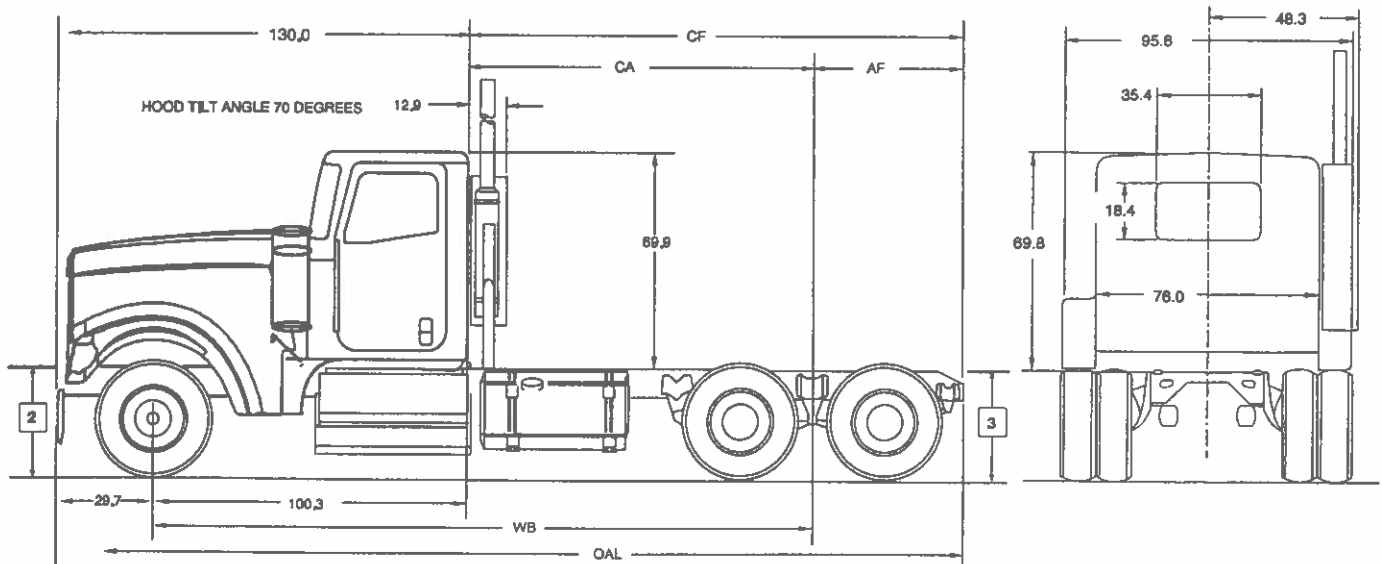
\*\* Weight includes standard chassis, standard tires, oil and water, but less fuel.

Rear weight is at the centerline of the tandem axle (unloaded).

Refer to Minimum Wheelbase and Center Bearing Charts in CT-400 for Additional Information.

② = Frame Height at centerline of front axle: unloaded - 39.0", loaded - 35.6"

③ = Frame Height at centerline of rear axle: unloaded - 40.5", loaded - 37.7"





# 9000 SERIES HEAVY DUTY CONVENTIONAL 9900ix SFA 6X4

## STANDARD EQUIPMENT

MODEL CODE: L935700 LIST PRICE:

### 01 FRAMES

- \* PLEASE NOTE: RESTRICTIONS (REQS, N/A, AVAIL, REC), RATIOS, NOTES AND INCLUDES ARE NOT SHOWN IN THE AVAILABLE EQUIPMENT SECTION. REFER TO TOPS IN SALES TOOLS FOR RESTRICTION AND APPLICATION AVAILABILITY INFORMATION. REFER TO PRICE LIST LOOK-UP IN SALES TOOLS FOR MODEL FEATURE PRICING, NOTES & INCLUDES.

01ALH - FRAME RAILS Heat Treated Alloy Steel (110,000 PSI Yield); 10.125" x 3.580" x 0.312" x 291.5" OAL  
\* FRAME RAILS WITH TAPERED REAR

NOTE: WB + AF Cannot Exceed Total of 264"

01LAE - BUMPER, FRONT Full Width, "Texas Style", Chrome Plated Steel; 18" High  
\* FDG LIGHT OPENING (2) and with Rectangular Hole for Step

### 02 AXLE, FRONT

02ARW - AXLE, FRONT, I-BEAM TYPE {Meritor MFS-12-143A} Wide Track, 12,000-lb Capacity

### 03A SUSPENSION, FRONT

03ADC - SUSPENSION, FRONT, SPRING Parabolic, Taper Leaf; 12,000-lb Capacity; With Shock Absorbers  
\* SPRING PINS Rubber Bushings

### 04 BRAKES

04092 - BRAKE SYSTEM, AIR Dual System for Tractor Applications

- \* AIR COMPRESSOR AIR SUPPLY LINE {Cummins, Caterpillar Engines} Turbocharged
- \* BRAKE CHAMBERS, SPRING (2) Rear Parking
- \* BRAKE LINES Color Coded Nylon
- \* BRAKE PRESSURE INDICATOR Low Air Pressure Warning Light and Audible Alarm
- \* DRAIN VALVE Manually Cable Operated (On Wet Tank Only)
- \* GLAD HANDS (2) One for Service and One for Emergency; Trailer Hoses from Cab
- \* HAND CONTROL VALVE, AIR {Bendix} Mounted on Steering Column
- \* HOSE TENDER To Secure the Trailer Hoses When Not in Use; Back of Cab Mounted

### 04 BRAKES

- \* PARKING BRAKE VALVE and Combination Valve for Tractor and Trailer; Color-Coded Yellow and Red Knobs, Located on Instrument Panel
- \* SLACK ADJUSTERS, FRONT {Meritor} Automatic
- \* SLACK ADJUSTERS, REAR {Meritor} Automatic
- \* SWITCH, AUXILIARY Interrupter for Cab and Trailer Clearance/Marker Lights (Blinks Lights with Headlight Switch in "ON" Position); Instrument Panel Mounted
- \* TRACTOR PROTECTION VALVE
- \* TRAILER CONNECTIONS 15' Coiled Lighting Cable with 7-Way Connector and with 15' Coiled Nylon Brake Hose

NOTE: Front and Rear Dust Shields not Included

04AZA - AIR BRAKE ABS {Bendix AntiLock Brake System} Full Vehicle Wheel Control System (4-Channel)

04SPA - AIR COMPRESSOR {Cummins} 18.7 CFM

04JBG - BRAKES, FRONT, AIR CAM S-Cam; 15.0" x 4.0"; Includes 20 Sq. In. MGM Long Stroke Brake Chambers

NOTE: Q Plus - Meritor (Rockwell)

04NCE - BRAKES, REAR, AIR CAM 16.5" x 7.0"; Includes MGM TR3030 Long Stroke Brake Chamber and Heavy Duty Spring Actuated Parking Brake

NOTE: Q Plus - Meritor (Rockwell)

### 05 STEERING

- 05PSA - STEERING GEAR {Sheppard M-100} Power
- 05710 - STEERING COLUMN Tilting and Telescoping
- 05WAM - STEERING WHEEL {V.I.P.} 2-Spoke, 18" Diam., Black

### 06 DRIVELINES

- \* DRIVESHAFT {Spicer 1760 Series} Transmission to Rear Axle
- \* END YOKES Half-Round, Easy Service (All)
- \* INNER-AXLE SHAFT {Spicer 1610 Series} Forward Rear Axle to Rear Rear Axle
- \* SLIP JOINT SPLINES Nylon-Coated

### (CONT.) 07 EXHAUST SYSTEM

07AWH - EXHAUST SYSTEM Single, Vertical 10" Dia. Aluminized Steel Muffler, Chrome Tail Pipe, Includes Stainless Steel Muffler Guard; Grab Handle; Mounting Hardware; Frame Mounted Right Side  
\* PLEASE NOTE: Muffler Guard Omitted when Ordered in Combination with Cab Side Extenders

NOTE: 13'3" Exhaust Height - Based on Empty Chassis with Standard Components (+ or - 1" Height)

NOTE: Frame Mounted Back of Cab

07MAM - TAIL PIPE Turnback Type, Bright Finish, for Single Bright Exhaust

### 08 ELECTRICAL

08000 - ELECTRICAL SYSTEM

12-Volt, Standard Equipment

- \* BATTERIES (3) {International} Maintenance-Free, 12-Volt 1950 CCA Total
- \* BATTERY BOX Aluminum with Aluminum Cover; Mounted Left Side, Back of Cab
- \* CIGAR LIGHTER Instrument Panel Mounted
- \* CIRCUIT BREAKERS for Trailer Connections
- \* COURTESY LIGHT (2) Driver and Passenger Door Mounted
- \* DOME LIGHT, CAB (2) Rectangular, Door and Header-Mounted Switch Activated; Above Door Mounted, One Each Side
- \* FUSES, ELECTRICAL SAE Blade-Type
- \* HEADLIGHT DIMMER SWITCH Steering Column Mounted
- \* HEADLIGHTS (2) Sealed Beam Halogen, 5" X 7" Rectangular, with Chrome Plated Bezels
- \* HORN, AIR Single, Chrome
- \* HORN, ELECTRIC Single
- \* PARKING LIGHT Integral with Front Turn Signal and Rear Tail Light
- \* READING LIGHT, CAB (2) with Individual Switches; One Above Each Door
- \* STARTER SWITCH Electric Key Operated
- \* STOP, TURN, TAIL & B/U LIGHTS Dual, Rear, Combination with Reflector
- \* TURN SIGNAL FLASHER {Tridon}
- \* TURN SIGNAL SWITCH {Grote} Manual Cancelling

Refer To General Info for Metric Conversion Tables

9000 SERIES

SECTION 720 - STANDARD EQUIPMENT

PRICES EFFECTIVE October 02, 2003

PL-284 REVISION NO. 72

PAGE 720-2

SUBJECT TO CHANGE WITHOUT NOTICE

Printed in the United States of America

All Taxes Extra, when Applicable



# 9000 SERIES HEAVY DUTY CONVENTIONAL 9900ix SFA 6X4

## STANDARD EQUIPMENT

MODEL CODE: L935700

08 ELECTRICAL (CONT.)	10 PAINT & MISCELLANEOUS (CONT.)	12 ENGINE (CONT.)
<ul style="list-style-type: none"><li>* TURN SIGNALS, FRONT Include Reflectors and Auxiliary Side Turn Signals; Flush Mounted</li><li>* WINDSHIELD WIPER SWITCH 2-Speed with Intermittent Feature, Instrument Panel Mounted</li><li>* WINDSHIELD WIPERS Single Motor, Electric, Cowl Mounted</li><li>* WIRING, CHASSIS Color Coded and Continuously Numbered</li></ul>	<ul style="list-style-type: none"><li>- PAINT SCHEMATIC ID LETTERS "HC"</li><li>10761 - PAINT TYPE Base Coat/Clear Coat, 1-2 Tone</li></ul>	<ul style="list-style-type: none"><li>* RADIATOR HOSES Premium, Rubber</li><li>12TKS - FAN DRIVE (Borg-Warner K26) With On/Off Control</li><li>* FAN Nylon</li><li>12VBA - AIR CLEANER Dual; Polished Stainless Steel; Mounted One on Each Side of Cowl Ahead of The Doors</li><li>12WCG - HOSE CLAMPS, RADIATOR HOSES {R.G. Ray Mini Flex Seal} Coil Spring/"T"-Bolt Type, for Radiator Hoses over 1" I.D.</li></ul>
<p>08GEU - ALTERNATOR {Leece-Neville 8LHP2172VAH} Brush Type; 12 Volt 110 Amp. Capacity, Pad Mounted</p> <p>08RDG - ANTENNA BASE (1) Dual Function, for CB and Entertainment Radio, With Splitter, Lead-In and Dual Function Antenna; Mounted on Left Mirror</p> <ul style="list-style-type: none"><li>* CB WIRING for Mounting CB; in Center Header Storage Compartment</li></ul> <p>08685 - HORN, AIR (2) Single Bell, Long Chrome</p> <p>08RDC - RADIO {Panasonic CRW200B} AM/FM Stereo, With Weather Band; 4 Channel At 15 Watts Each, With Electronic Tuning and Clock, Includes Multiple Dual-Cone Speakers</p> <ul style="list-style-type: none"><li>* SPEAKERS IN CAB (4) Dual-Cone</li></ul> <p>08WNH - RUNNING LIGHT (2) Daytime</p> <p>08RBZ - SPEAKER, AUXILIARY, CB RADIO With Jack for CB; Mounted Left Side Above Driver's Door</p> <p>08WWM - STARTING MOTOR {Leece-Neville MS2} 12-Volt; less Thermal Over-Crank Protection</p>	<p>11 CLUTCH</p> <p>11MDE - CLUTCH {Eaton Fuller EP1552} Easy-Pedal Plus, Two-Plate, Cast Angle Spring; Ceramic, 15.5" Diameter, Soft Clutch 7-Spring Damper, Mechanical Pull-Type Control, With Kwik-Adjust(Manual) Feature, 1700 lb-ft Torque Capacity</p> <ul style="list-style-type: none"><li>* CLUTCH RELEASE BEARING Greasable</li></ul> <p>12 ENGINE</p> <p>12CVX - ENGINE, DIESEL {Cummins ISX 435 ST} 50 State 453 HP @ 1800 RPM Electronic Feature Default Speed (Actual 2000 RPM Governed Speed); 1450/1650 lb-ft Torque @ 1200 RPM; 457 Peak HP (Max)</p> <ul style="list-style-type: none"><li>* AIR CLEANER with Vacuator; Remote Mounted</li><li>* CRUISE CONTROL Electronic</li><li>* ENGINE OIL DRAIN PLUG Magnetic</li><li>* ENGINE SHUTDOWN Electric, Key Operated</li><li>* FUEL FILTER Engine Mounted</li><li>* GAUGE, AIR CLEANER RESTRICTION Air Cleaner Mounted</li><li>* GOVERNOR Electronic</li><li>* OIL FILTER, ENGINE Spin-On Type</li><li>* THROTTLE, HAND CONTROL Electronic, Instrument Panel Mounted</li><li>* TIMER Idle Shutdown</li><li>* WATER FILTER Engine Mounted</li></ul> <p>NOTE: Code 12836 ENGINE IDENTITY for California Emission Certification is Mandatory in State of California</p> <p>NOTE: Requires PFM-12231 Customer Specified Parameter Form</p> <p>12UWE - RADIATOR Welded, Down Flow, Parallel System, 908 SqIn Area With Aluminum Core and 478 SqIn Charge Air Cooler</p> <ul style="list-style-type: none"><li>* ANTI-FREEZE Shell Rotella Extended Life Coolant -40F (-40C) for all Caterpillar Engines and Conventional Coolant -40F (-40C) for all Cummins Engines</li><li>* DEAIRATION SYSTEM with Sight Glass and Remote Mounted Coolant Reservoir</li></ul>	<p>13 TRANSMISSION</p> <p>13GHN - TRANSMISSION, MANUAL {Fuller FRO-15210B} 10-Speed Manual, With Overdrive, With Air Shift, With Internal Lube Oil Pump</p> <ul style="list-style-type: none"><li>* CLUTCH BRAKE Torque Limiting</li><li>* FILL PLUG, MAGNETIC</li></ul> <p>14A AXLE, REAR</p> <p>14GRB - AXLE, REAR, TANDEM {Meritor RT-40-145} Single Reduction 40,000-lb Capacity With 200 Wheel Ends</p> <ul style="list-style-type: none"><li>* RATIO: 2.79, 2.93, 3.07, 3.21, 3.42, 3.58, 3.73, 3.90, 4.11, 4.33, 4.63, 4.88, 5.29, 5.86, 6.14, 6.43, 6.83 OR 7.17</li><li>* POWER DIVIDER LOCK Air Operated, Cab Control with Indicator Light</li><li>* REAR AXLE DRAIN PLUG (2) Magnetic</li></ul> <p>NOTE: Rear Axle Ratios of 3.10 or numerically lower REQUIRE Code O6DAS or O6DAW SPL250 Series ILO 1760 Series Mainshaft</p> <p>14B SUSPENSION, REAR</p> <p>14UNA - SUSPENSION, REAR, TANDEM {International} 4-Spring Type, Multileaf, 52" Axle Spacing; 40,000-lb Capacity</p> <p>NOTE: Requires 53" AF Min</p> <p>NOTE: Min AF is REQUIRED with Tapered Frame Rails. Requires Code O1650 CROSSMEMBER, REAR for AF longer than Minimum</p> <p>15 FUEL TANKS</p> <p>15DGD - FUEL TANK (2) Top Draw; Polished Aluminum, 26" Diam., 100 U.S. Gal., 378L Capacity; Total Capacity 200 U.S. Gal., 757L; With Dual Supply &amp; Return Lines and Less Equalizer Line, Mounted Left &amp; Right, Under Cab</p> <ul style="list-style-type: none"><li>* FUEL LINE FITTINGS Anchored to Frame for Fuel Hoses</li></ul>
<p>09 FRONT END</p> <p>09ASE - FRONT END Tilting Composite</p> <ul style="list-style-type: none"><li>* GRILLE Stainless Steel Vertical Grille Bars</li><li>* GRILLE SURROUND Chrome Plated Zinc Die Cast</li><li>* HEADLIGHT BEZELS Chrome Plated Zinc Die Cast</li><li>* HOOD TILT SHOCK ABSORBER</li></ul> <p>09WAC - BUG SCREEN Front End; Mounted Behind Grille</p>	<p>10 PAINT &amp; MISCELLANEOUS</p> <p>10WPU - MUD FLAP HOLDER Spring Loaded, Bright Finish; With 45-Degree End, With Red and White Reflective Tape; Less Flaps</p> <p>10060 - PAINT SCHEMATIC, PT-1 Single Color, Design 100</p>	

Refer To General Info for Metric Conversion Tables

9000 SERIES  
PL-284 REVISION NO. 72

SECTION 720 - STANDARD EQUIPMENT  
PAGE 720-3

PRICES EFFECTIVE October 02, 2003  
SUBJECT TO CHANGE WITHOUT NOTICE

Printed in the United States of America

All Taxes Extra, when Applicable



# 9000 SERIES HEAVY DUTY CONVENTIONAL 9900ix SFA 6X4

## STANDARD EQUIPMENT

MODEL CODE: L935700

15 FUEL TANKS (CONT.)	16 CAB (CONT.)	16 CAB (CONT.)
<ul style="list-style-type: none"> <li>* FUEL LINE FITTINGS Crimped End</li> <li>* STEP (4) Two on Each Side</li> </ul>	<ul style="list-style-type: none"> <li>16ZCN - ACCESS, CAB Bright; use with Dual Under Cab Fuel Tanks</li> <li>* FUEL TANK STRAPS AND STEPS Bright Finish</li> <li><b>NOTE:</b> Refer to ACCESS PACKAGES Chart in Front of This Section</li> <li>16WKB - AIR CONDITIONER {International Blend-Air} With Integral Heater &amp; Defroster</li> <li>* HEATER HOSES Premium</li> <li>* REFRIGERANT Hydrofluorocarbon HFC-134A</li> <li>16WJG - CAB DOOR LOCKS Power</li> <li>16VAK - CAB INTERIOR TRIM Eagle Level; Vinyl, for Day Cab</li> <li>* MIRROR Bright, Convex Lookdown, Located on Passenger Side</li> <li><b>NOTE:</b> COLOR, INTERIOR Code 16CDJ (Dark Blue), 16CDK (Burgundy), or 16CDL (Dark Tan) MUST BE ORDERED.</li> <li>16HBM - GAUGE CLUSTER Ivory Face; English with English Electronic Speedometer and with Tachometer; Includes Electronic Display Odometer, Trip Odometer, Engine Hours and Engine Trip Hours for Air Brake Chassis, Includes Total PTO Hours, Total Idle Hours, and Instant Fuel Econ</li> <li>* GAUGE, AIR PRESSURE Dual</li> <li>* GAUGE, ENGINE OIL PRESSURE Electronic</li> <li>* GAUGE, WATER TEMPERATURE Electronic</li> <li>* VOLTMETER</li> <li><b>NOTE:</b> Standard in USA</li> <li>16WRT - MIRRORS (2) {International} Rectangular, 16" x 7" West Coast Type, with Stainless Steel Heads &amp; Aluminum Brackets, Bright Finish, Heated, Accommodates Trailer up to 102" Wide, Both Heads Lighted, Left Head Non-Motorized and Right Head Motorized, Includes Convex Mirror</li> <li>16JPG - SEAT, DRIVER {National 2000 Model 195} Air Suspension, Hi Back, Vinyl W/Cloth Insert, 2 Arm Rests, Isolator, Adjuster, 3 Lumbar Support, 6 Way Front Adj, 3 Way Rear Cushion Adj, 2-15 Degree Back Angle Adjustment, Vinyl Suspension Cover, Adj Side Bolster, Heat</li> <li>* SEAT BELT 3-Point, Lap and Shoulder Belt Type</li> </ul>	<ul style="list-style-type: none"> <li>16PNU - SEAT, PASSENGER {National 2000 Model 192} Non-Suspension, High Back, Vinyl With Cloth Insert, 2 Arm Rests, 11 Degree Back Angle Adjustment, With Map Pocket</li> <li>* SEAT BELT 3-Point, Lap and Shoulder Belt Type</li> <li>16WAK - WINDOW, POWER (2) in Left and Right Doors</li> <li>16WKR - WINDSHIELD Single Piece</li> <li><b>27/28 WHEELS &amp; TIRES</b></li> <li>27DMC - WHEELS, FRONT DISC; 22.5" Polished Aluminum, 10-Stud (285.75MM BC) Hub Piloted, Flanged Nut, Metric Mount, 8.25 DC Rims; With Steel Hubs</li> <li>* WHEEL SEALS, FRONT {International} Oil Lubricated, Includes Wheel Bearings</li> <li>28DMC - WHEELS, REAR DUAL DISC; 22.5" Polished Aluminum, 10-Stud (285.75MM BC) Hub Piloted, Flanged Nut, Metric Mount, 8.25 DC Rims; With Steel Hubs.</li> <li>* WHEEL SEALS, REAR {International} Oil Lubricated, Includes Wheel Bearings</li> <li><b>NOTE:</b> Exceeds 96" O.A.W. with All Combinations</li> <li><b>NOTE:</b> Polished Surface Outside Dual Only</li> <li>770249 0134 (02) 295/75R22.5 14-PR LR-G SINGLE FRONT RADIAL TIRES {Goodyear G397 LHS}</li> <li>770249 0134 (08) 295/75R22.5 14-PR LR-G DUAL REAR RADIAL TIRES {Goodyear G397 LHS}</li> </ul>
<p><b>16 CAB</b></p> <ul style="list-style-type: none"> <li>16031 - CAB Aluminum, Conventional</li> <li>* "A" PILLAR COVER Plastic, Medium Tan</li> <li>* CAB INTERIOR DASH INSULATOR Vinyl</li> <li>* CAB INTERIOR TRIM PANELS Soft Padded Vinyl</li> <li>* CLEARANCE/MARKER LIGHTS (5) Roof Mounted</li> <li>* COAT HOOK AND HAT HOOK Located in Cab</li> <li>* CONSOLE, CENTER Plastic, Driver Convenience with a Cup and Change Holder, Ash Tray and Lower Storage Area with Net</li> <li>* CONSOLE, OVERHEAD Molded Plastic with Three Storage Pockets; One with Velcro Strap for CB Radio Mounting; Two with Netting; Light Switches for Cab Dome and Courtesy Lights</li> <li>* DOOR CHECK STRAP (2) One Each Door</li> <li>* DOOR TRIM PANELS Vinyl Covered Driver and Passenger Doors</li> <li>* FLOOR MATS Rubber</li> <li>* GLASS, ALL WINDOWS Tinted</li> <li>* GRAB HANDLE (2) Exterior, Mounted Behind Driver and Passenger Doors</li> <li>* GRAB HANDLE, CAB INTERIOR (2) One Each Side</li> <li>* HEADLINER Soft Padded Vinyl</li> <li>* HEATER BOX Metal, Painted Black</li> <li>* INSTRUMENT PANEL TRIM Vinyl, Medium Tan with Woodgrain Appearance Panel Face</li> <li>* INTERIOR SHEET METAL Upper Door (Above Window Ledge) Painted Exterior Color</li> <li>* SKIN Riveted</li> <li>* STEP (4) Two on Each Side</li> <li>* STORAGE POCKET, DOOR (2) Molded Plastic, Driver and Passenger Door</li> <li>* STORAGE, INTERIOR Vinyl Pocket, Mounted on Driver and Passenger Seat Back</li> <li>* SUN VISOR (2) Vinyl with Toll Ticket Strap</li> <li>* THERMOS HOLDER Molded Holder for Thermos, Maps, and CD's; Located at Base of Passenger Seat</li> </ul>		

Refer To General Info for Metric Conversion Tables