

Predator gasoline pump 2-inch semi-trash pump - 158 GPM

<https://www.harborfreight.com/lawn-garden/pumps/2-in-212cc-gasoline-engine-semi-trash-water-pump-158-gpm-63405.html>

HARBOR FREIGHT
QUALITY TOOLS LOWEST PRICES

What are you looking for today?



All Departments ▾

Coupons

New Tools

Deals

Members-Only Deals

Join Inside Track Club

Credit Card

Home > Lawn & Garden > Pumps >

TOP PICK



PREDATOR >

2 In. 212cc Gasoline Engine Semi-Trash Water Pump - 158 GPM

(1,122) [Write a Review](#)

See the Entire Predator™ Line

[Click Here](#)

Clear jobsite ground water fast with this powerful gas engine water pump

\$259⁹⁹

Compare to
NORTHSTAR 109163
\$519.99

**Save
\$260**

1

Add to Cart

PRODUCT OVERVIEW

This PREDATOR® gasoline engine water pump engine can quickly transfer water at speeds up to 158 GPM (gallons per minute). The large 2 in. intake/discharge ports can pass soft solids up to 5/8 in. diameter. The gas engine on the pump makes it ideal for use during power outages and at remote jobsites. A durable cast iron volute and impeller combined with high quality silicon carbide seals ensure long service life.



















- Powerful 212cc 4-stroke overhead valve gas engine
- 158 GPM (gallons per minute)
- Total head lift: 91 ft.
- Suction head lift: 26 ft.
- Low oil alert
- Recoil start

SPECIFICATIONS

SKU(s)	63405, 56160	Flow rate	158 GPM
Brand	PREDATOR	Head Lift at 0 Flow	91 ft.
Accessories Included	Intake strainer, hose clamps and spark plug wrench	Application	Removing jobsite ground water, irrigation, draining pools
Certification	EPA	Engine displacement (cc)	212cc
Housing material	Aluminum alloy	Inlet size	2 in.
Speed (max)	3800 RPM	Product Height	15-5/8 in.
Product Length	18-3/4 in.	Product Weight	52.80 lb.
Product Width	16-7/8 in.	Shipping Weight	61.50 lb.
Start type	Recoil	Filtration (microns)	5/8 in.
Returns disclaimer	Yes	CA Residents	Warning - Prop 65 Info ▶

Note: Specifications are approximate and subject to change

PREDATOR WATER PUMPS HOW TO CHOOSE A GAS POWERED WATER PUMP

GAS ENGINE PUMP TYPE	1" CLEAR WATER		2" SEMI-TRASH		3" SEMI-TRASH	
	NON-SUBMERSIBLE		NON-SUBMERSIBLE		NON-SUBMERSIBLE	
TYPICAL USE	 OUTDOOR CLEAR WATER TRANSFER	 REMOVING JOB SITE GROUND WATER	 REMOVING JOB SITE GROUND WATER			
	 IRRIGATION	 IRRIGATION	 IRRIGATION			
	 DRAINING POOLS	 DRAINING POOLS	 DRAINING POOLS			
WATER TYPE	 CLEAR WATER WITH NO DEBRIS	 CLEAR AND MUDDY WATER WITH UP TO 5/8" DIAMETER SOLIDS	 CLEAR AND MUDDY WATER WITH UP TO 3/4" DIAMETER SOLIDS			
INLET TYPE or CONNECTION	 1" THREADED PORT REINFORCED INTAKE HOSE MUST BE USED WITH INTAKE SCREEN	 2" THREADED PORT REINFORCED INTAKE HOSE MUST BE USED WITH INTAKE SCREEN	 3" THREADED PORT REINFORCED INTAKE HOSE MUST BE USED WITH INTAKE SCREEN			
DISCHARGE CONNECTION	 1" THREADED PORT	 2" THREADED PORT	 3" THREADED PORT			

CHECK SPECIFIC PUMP PACKAGING FOR SUBMERSIBLE OR NON-SUBMERSIBLE, SPECIFICATIONS, AND REQUIREMENTS. THIS CHART SHOULD BE USED AS A GENERAL GUIDE.

PREDATOR

BE

212cc GASOLINE ENGINE 2" INTAKE/DISCHARGE WATER PUMP



REMOVING JOBSITE
GROUND WATER



IRRIGATION



DRAINING POOLS

Heavy Duty Steel Full-frame Cage
For Protection and Tie-down Support

Tool-free Port
For Easy Priming

Powerful 212cc
4-stroke
Predator Engine
For Easy Starts,
Reliable
Performance

Large 2"
Intake/Discharge
Passes Soft Solids
Up To 5/8"
Diameter



Durable Cast Iron
Volute And Impeller
For Maximum
Durability

2" INTAKE / DISCHARGE PORTS

58' OUTDOOR WATER PUMPING
UP TO 5/8" DIAMETER SOLIDS

158 GPM MAXIMUM FLOW
AT 0 FT.

91FT. MAXIMUM HEAD LIFT
AT 0 FLOW

26FT. MAXIMUM INTAKE LIFT
AT 0 FLOW



Owner's Manual & Safety Instructions

Save This Manual Keep this manual for the safety warnings and precautions, assembly, operating, inspection, maintenance and cleaning procedures. Write the product's serial number in the back of the manual near the assembly diagram (or month and year of purchase if product has no number). Keep this manual and the receipt in a safe and dry place for future reference.

19c

PREDATOR®

212cc Gasoline Powered 2" INTAKE/ DISCHARGE WATER PUMP

**Do not return this pump to the store.
Call 1-844-416-9141**

⚠ DANGER

Using an engine indoors
CAN KILL YOU IN MINUTES.

Engine exhaust contains carbon monoxide.
This is a poison you cannot see or smell.



NEVER use inside a home or garage, **EVEN IF** doors and windows are open.



Only use **OUTSIDE** and far away from windows, doors, and vents.



Visit our website at: <http://www.harborfreight.com>
Email our engine support at: predator@harborfreight.com

56160

When unpacking, make sure that the product is intact and undamaged. If any parts are missing or broken, please call 1-888-866-5797 as soon as possible.

⚠ WARNING

Read this material before using this product. Failure to do so can result in serious injury.
SAVE THIS MANUAL.

Copyright© 2019 by Harbor Freight Tools®. All rights reserved.
No portion of this manual or any artwork contained herein may be reproduced in any shape or form without the express written consent of Harbor Freight Tools. Diagrams within this manual may not be drawn proportionally. Due to continuing improvements, actual product may differ slightly from the product described herein. Tools required for assembly and service may not be included.

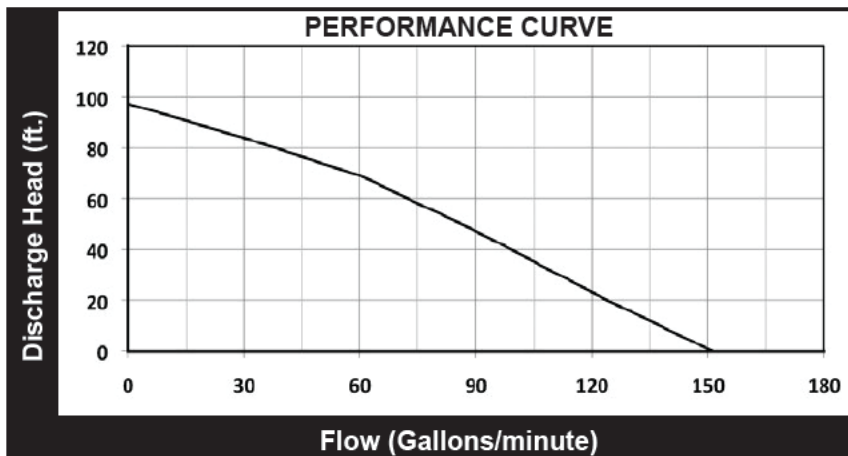
Table of Contents

Specifications	2	Maintenance	13
Safety	4	Troubleshooting	17
Setup	6	Warranties	20
Operation	10	Parts Lists and Diagrams	22

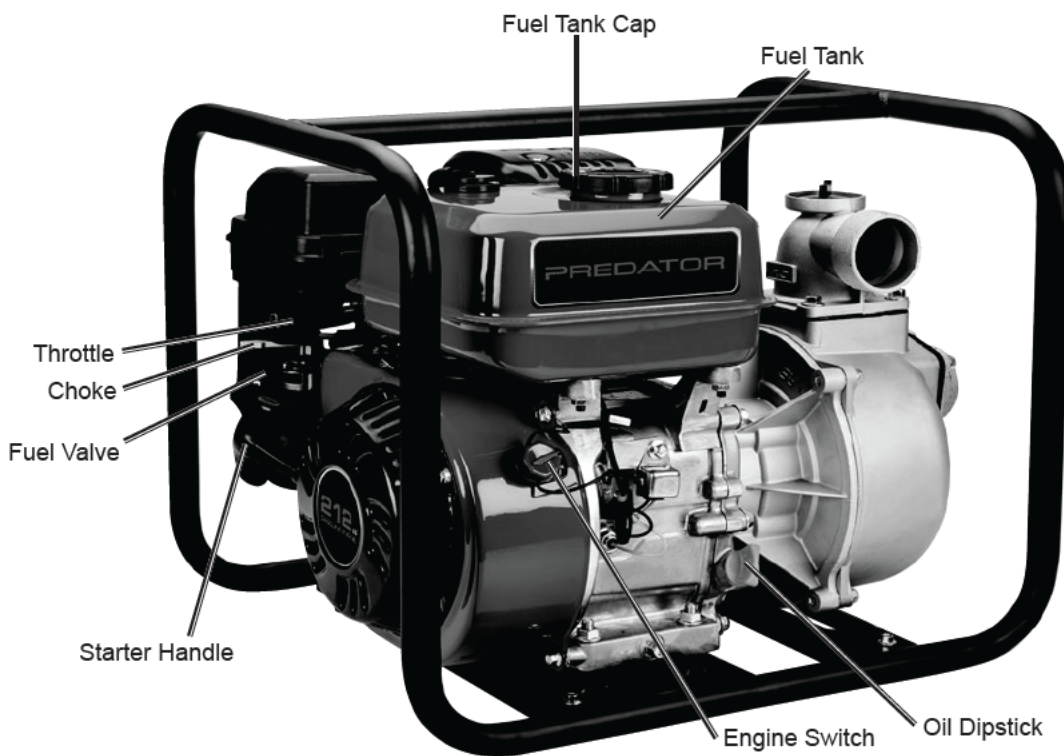
Specifications

Pump	
Suction & Discharge Size	2" NPT
Maximum Flow at 0'	158 GPM
Maximum Head Lift at 0 Flow	91 ft.
Maximum Intake Lift at 0	26 ft.
Mechanical Seal	Ceramic
Included Accessories	Intake Strainer, Hose Clamps, Spark Plug Wrench

Engine		
Displacement		212cc
Engine Type		Horizontal Single Cylinder 4 stroke OHV EPA phase III compliant
Cooling System		Forced air cooled
Fuel	Type	87+ octane stabilizer-treated unleaded gasoline
	Capacity	0.9 Gallons / 3.6 Liters
Engine Oil	Type SAE	10W-30 above 32° F 5W30 at 32° F or below
	Capacity	0.5 Quarts / 0.5 Liters
	Run Time @ 50% Load with full tank	3 hr.
Sound Level at 22 feet		104 dB
Bore x Stroke		70 mm x 55 mm
Compression Ratio		8.5:1
Rotation viewed from PTO (power takeoff - the output shaft)		Counterclockwise
Shaft	Shaft	3/4" x 2.41"
	Keyway	3/16" (4.76 mm)
	End Tapped	5/16" - 24 UNF
Spark Plug	Type	NGK® BP-6ES NHSP® / Torch® F7TC
	Gap	0.027" - 0.031"
Valve Clearance	Intake	0.004" - 0.006"
	Exhaust	0.006" - 0.008"
No Load Speed		3,800 ±100 RPM



Controls



SAFETY

SETUP

OPERATION

MAINTENANCE

Connecting Hoses

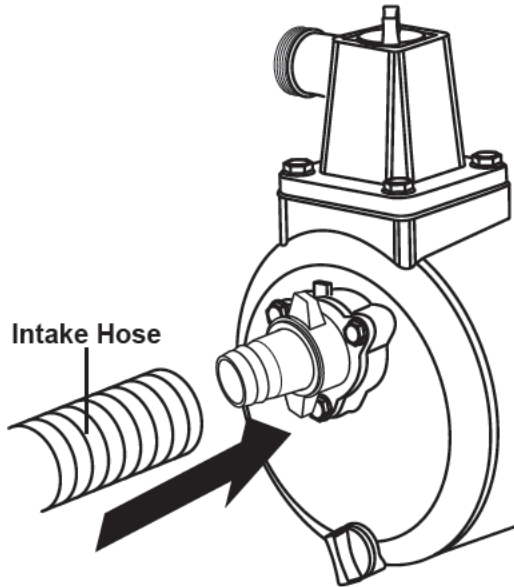
Note: Hoses not included.

NOTICE: Do not use any reducer on the inlet or discharge port. However, if any reducers were included as part of this pump, they may be used.

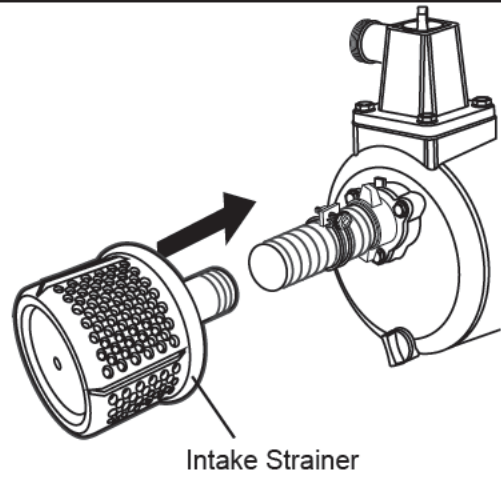
Note: The Intake Hose (not included) MUST be reinforced with non-collapsible construction. Match hose diameter to port diameters. Do not reduce hose diameter size.

1. Thread intake hose onto Intake Port.

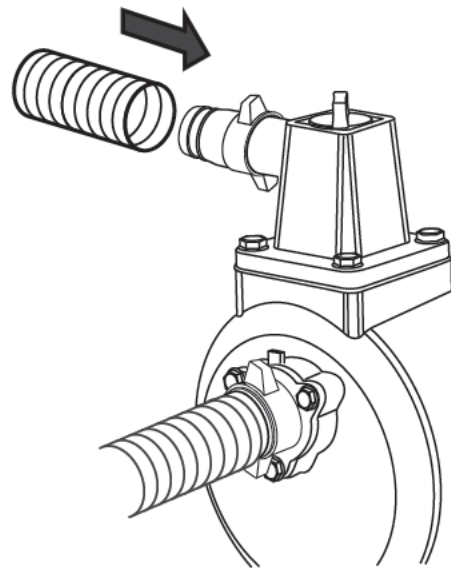
NOTICE: Use only a non-collapsible intake hose.



2. Slide the Intake Strainer into the end of the intake hose. Tighten until secure.



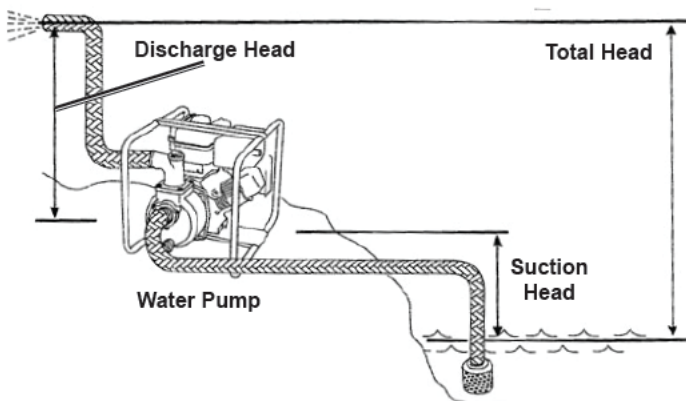
3. Thread discharge hose onto Discharge Port. Tighten until secure.



Locating the Water Pump

Locate the Water Pump on a flat, level, sturdy surface capable of supporting the weight of the Pump.

1. For best Pump performance, place the Pump near the water level and use hoses that are no longer than necessary. See diagram below.



As the head (pumping height) increases, pump output decreases. A non-collapsible suction hose must be used. The length, type, and size of the suction and discharge hoses can significantly affect Pump output.

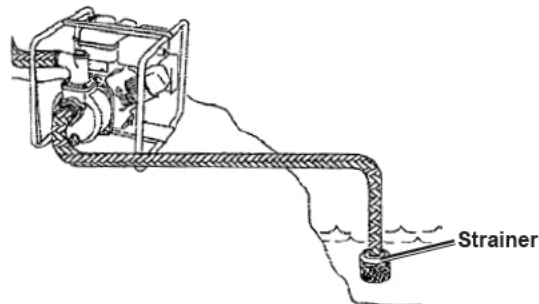
Discharge head capability is always greater than suction head capability. This means pumping height for the Intake Hose (suction head) should be shorter than the pumping height for the Discharge Hose.

Minimizing suction head (placing the Pump closer to the water level) will also help make it easier to prime the pump (fill it with water).

2. Route the Intake Hose with the Intake Strainer fully immersed in the water supply source.

3. Place Strainer into water to be pumped.
NOTICE: Immerse strainer fully in water. Do not operate Pump without Strainer connected to end of suction hose. Keep Strainer out of sand or silt by placing Strainer in a bucket or on stones.

NOTICE: Air leaks must not appear in the suction line. If there is an air leak in the suction line, you will not be able to prime the pump. Use a thread sealant to seal air leaks.



4. Secure the Intake Hose in place to keep it from moving once the Pump is turned on. The Intake Hose should be as short as possible for more efficient operation.
5. Route the discharge hose to the desired discharge location. If necessary, connect additional discharge hoses to direct the discharge to the desired location. Make sure to secure the discharge hose in place to keep it from moving once the Water Pump is turned on. The discharge hose should be kept as short as possible for more efficient operation.