

VAN'S AIRCRAFT, INC.

14401 NE Keil Road, Aurora, Oregon, USA 97002

PHONE 503-678-6545 • FAX 503-678-6560 • www.vansaircraft.com • info@vansaircraft.com

Service Bulletin

SB 06-9-20

Date issued: September 20, 2006

Applies to: All RV's with manual trim and all RV-10's.

Synopsis: An improved WD-415-1* manual trim cable anchor has been designed and is being made available by Van's Aircraft at a modest price. The new anchor has closer angular tolerances and is substantially stronger than those previously supplied.

Suggested action: Van's Aircraft recommends that builders and owners of single and two place RV's with manual elevator trim and all RV-10 builders and owners replace older style WD-415 anchors with the WD-415-1 anchor. An entry in the aircraft's airframe log should be made referencing this replacement.

Identification information: Figure #1 below depicts the new anchor, WD-415-1. WD-415-1 anchors can be identified by full width welds on both sides of the nut.

Affected WD-415's are identified by either no aft weld (single weld across the front of the nut) or one long weld across the front of the nut and a small tack weld on the aft side of the nut.

All RV-10 empennage kits shipped after September 21, 2006 have the newer version and are unaffected. In all two-place RVs, the WD-415 is part of the fuselage kit if manual trim is selected. Fuselage kits shipped after September 21, 2006 have the newer version and are unaffected.

* (Van's Aircraft, Inc. part number)

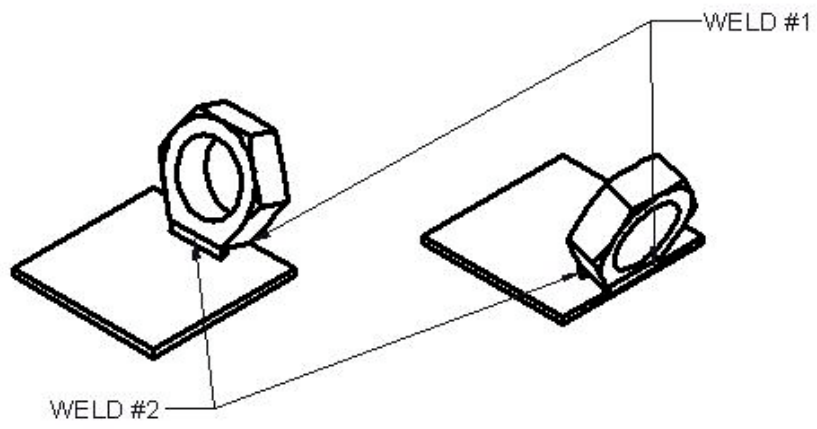


Figure #1