



NATIONAL TRANSPORTATION SAFETY BOARD

Office of Aviation Safety
Washington, D.C. 20594

September 20, 2016

STRUCTURES

Group Chairman's Factual Report

WPR16FA036

**Appendix A – Figures
(5 pages)**

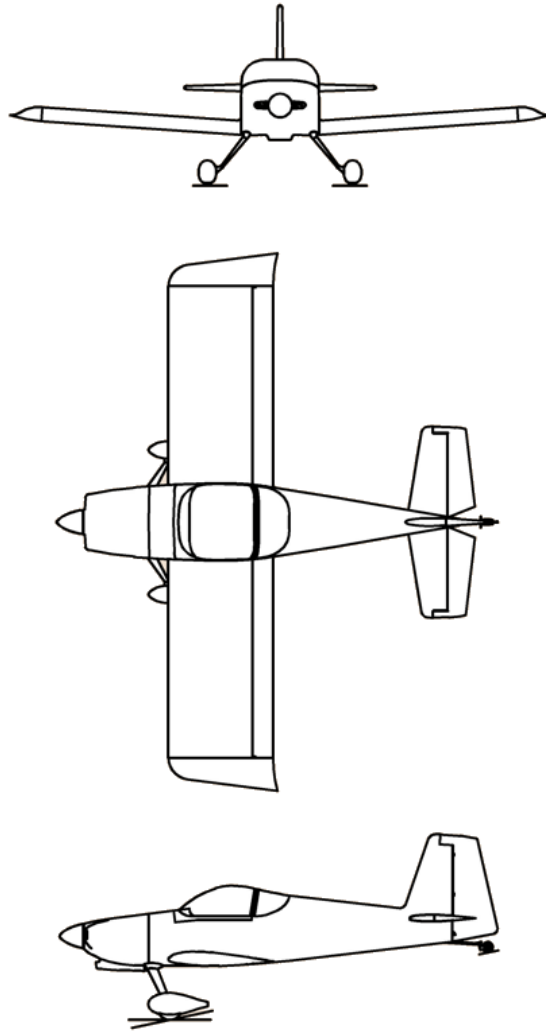


Figure 1 – Vans RV-7 3-view drawing



Figure 2 – Photo of N307AB

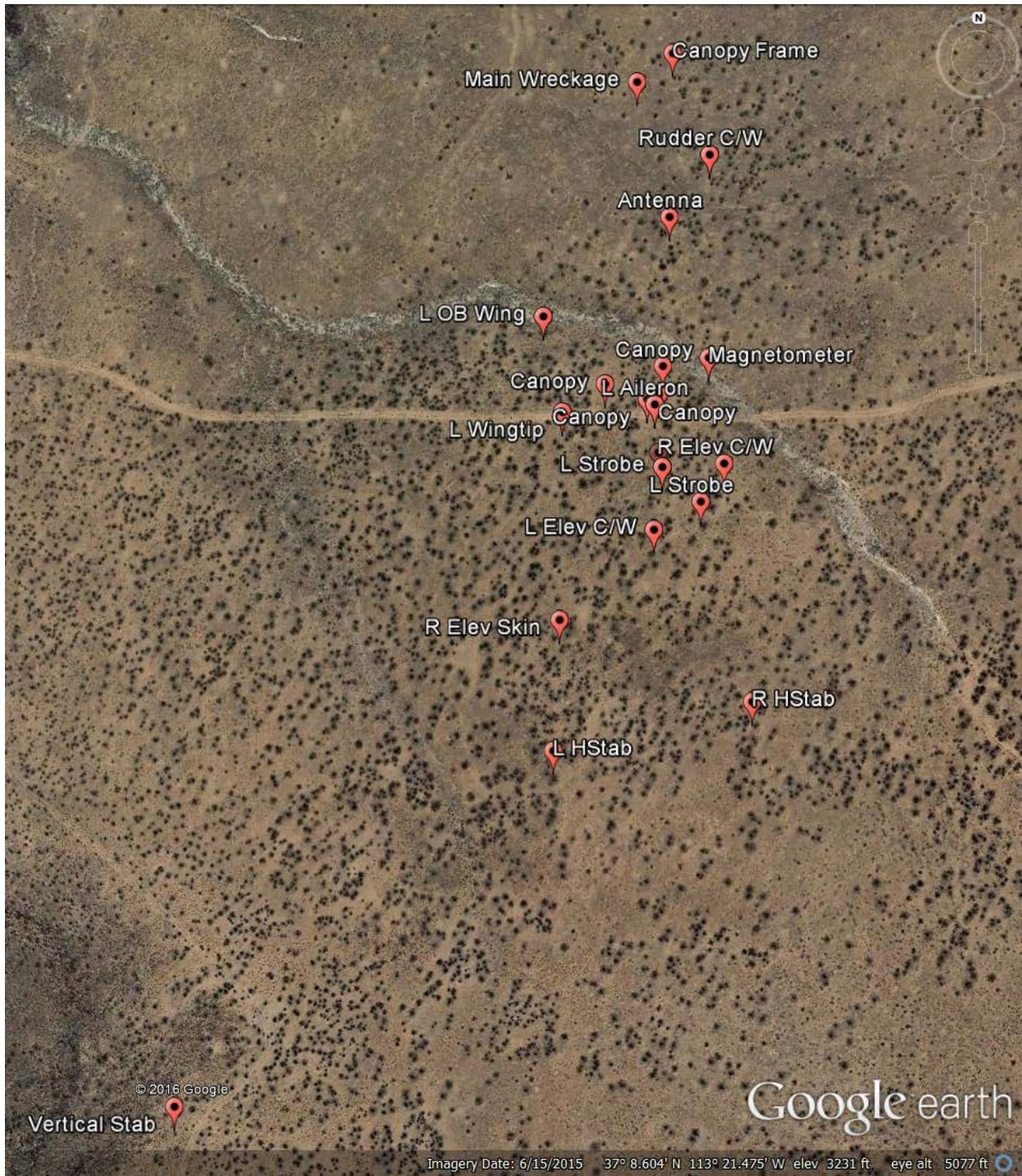


Figure 3 – N307AB Debris Field



Figure 4 – Right wing deformation



Figure 5 – Right side of empennage



Figure 6 – Left side of empennage