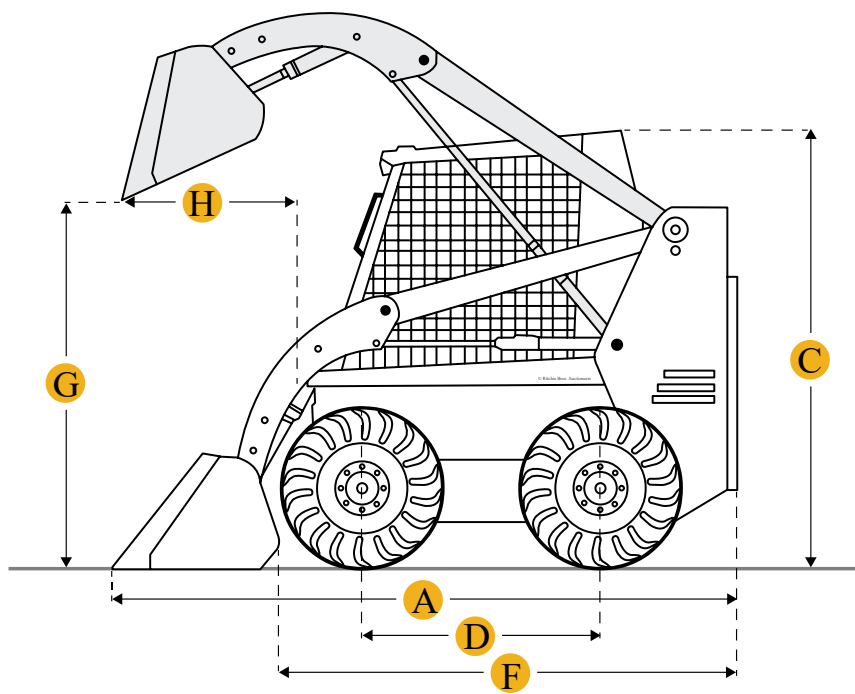
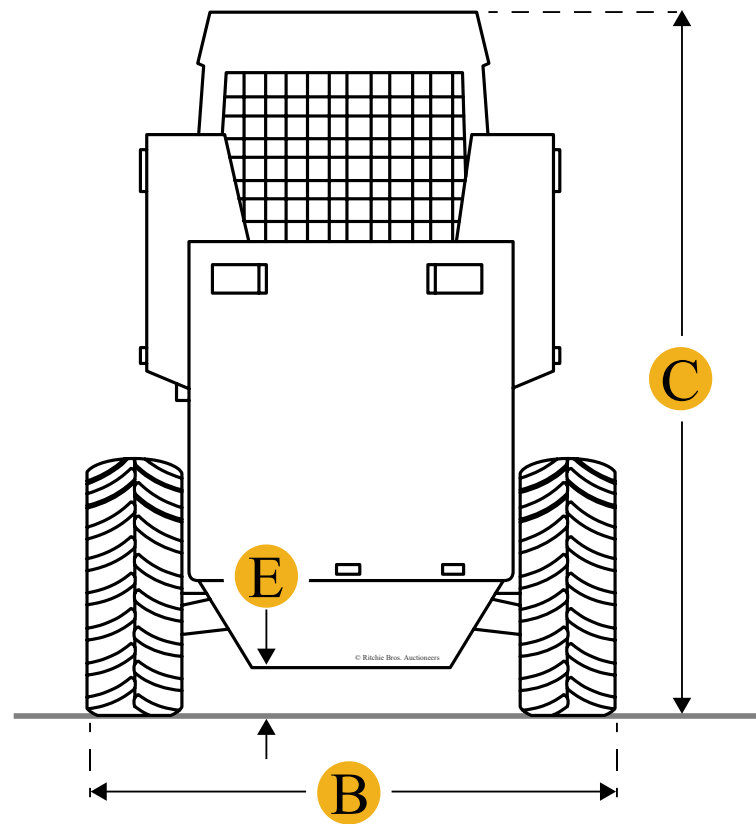
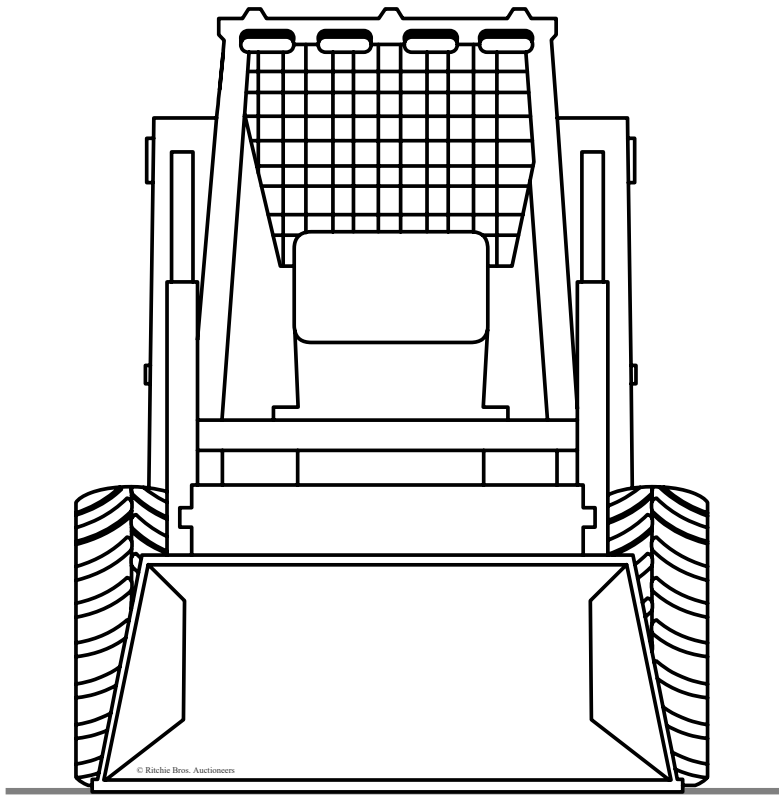


Caterpillar 226 Skid Steer Loader



Units Imperial Metric

Dimensions

Dimensions

A	Length With Bucket	10.61 ft in
B	Width Over Tires	6.01 ft in
E	Ground Clearance	8 in

Height To Top Of Cab

Top

C	6.4 ft in
D Wheelbase	3.24 ft in
F Length W/O Bucket	8.27 ft in
G Clearance At Max Lift And Dump	7.12 ft in
H Reach At Max Lift And Dump	21.5 in
Wheel Base	3.24 ft in
Bucket Pin Height - Carry Position	9 in
Clearance At Maximum Lift And Dump	85 in
Length - Without Bucket	99 in
Bucket Pin Height - Maximum Lift	9.34 ft in
Maximum Overall Height	146 in
Height - Top Of Cab	6.42 ft in
Bumper Overhang - Rear Axle	38 in
Reach - Maximum Lift/Dump	20 in
Turning Radius From Center - Inc Bucket	79.38 in
Length - With Bucket On Ground	127 in
Vehicle Width Over Tires	60 in

Operating Specifications

Breakout Force - Tilt Cylinder	3903 lb
Breakout Force - Lift Cylinder	3136 lb
Rated Operating Capacity	1500 lb
Rated Operating Capacity With Optional Counterweight	1600 lb
Tipping Load	3000 lb

Specifications

Engine

Number Of Cylinders	4
Engine Make	2236
Engine Model	3034

[Top](#)

Gross Power	58 hp
Net Power	55 hp
Power Measured @	2600 rpm
Displacement	183 cu in
Bore	3.9 in
Stroke	4 in
Engine Model	Cat 3034C
Net Flywheel Power	41 hp
Operational	
Operational Weight	5830 lb
Fuel Capacity	15.9 gal
Max Speed	6.9 mph
Hydraulic System Fluid Capacity	14.6 gal
Operating Speed	6.9 mph
Loader	
Operating Load Rating	1500 lb
Tipping Angle	2710 degrees
Bucket Capacity	0.5 yd ³
Weights	
Operating Weight	5645 lb
Hydraulic	
Pump Flow Capacity	15.2 gal/min
Hydraulic System	
Loader Hydraulic Pressure	3300 psi
Loader Hydraulic Flow	15.1 gal/min
Hydraulic Flow	Standard flow
Service Refill Capacities	
Cooling System	2.6 gal

Fuel Tank	17 gal
Hydraulic Tank	9.2 gal
Engine Crankcase	2.4 gal
Hydraulic System	14.5 gal
Chain Box - Each Side	1.6 gal
Cab	
Rops	SAE J1040 MAY94 and ISO3471:1994
Fops	SAEJ/ISO 3449 APR98 Level I and ISO3449:1992 Level I
Fops Level Ii	SAEJ/ISO 3449 APR 98 Level II and ISO 3449:1992 Level II (optional)

Compare similar models

Manufacturer/Model	Net Power	Operating Load Rating	Operational Weight
<input type="checkbox"/> Caterpillar 226B Series 3	56 hp	1500 lb	5822 lb
<input type="checkbox"/> Caterpillar 226B	57.7 hp	1499.2 lb	5833.5 lb
<input type="checkbox"/> Volvo MC70B	53 hp	1500 lb	5801 lb

Compare

Find Caterpillar 226 Skid Steer Loader for Sale




[2012 CATERPILLAR 226B3 Skid Steer Loader](#)



[2006 CATERPILLAR 226B Skid Steer Loader](#)

Top

 2342

 MOERDIJK, NLD

 0

 MONTREAL, QC

[See Caterpillar Skid Steer Loader for sale
rbauction.com](#)

[See Caterpillar Skid Steer Loader for sale
ironplanet.com](#)

[See Caterpillar Skid Steer Loader for sale
mascus.com](#)

Need help? [Contact Us](#)

 English

Company

[About Ritchie Bros.](#)

[rbauction.com](#)

[ironplanet.com](#)

[mascus.com](#)

[rbassetsolutions.com](#)

[Contact Us](#)

Popular Searches

[JCB 407ZX Wheel Loader](#)

[Terex TR70 Rock Truck](#)

[Caterpillar 365C L Hydraulic Excavator](#)

[Bobcat S175 Skid Steer Loader](#)

[Terex TA40 Articulated Dump Truck](#)

[Caterpillar 143H Motor Grader](#)

[Caterpillar D9T Crawler Tractor](#)

[Hyundai HL780-3A Wheel Loader](#)

[Volvo L90D Wheel Loader](#)

Looking for equipment or trucks?

Ritchie Bros. sells more new and used industrial equipment and trucks than any other company in the world.

[Equipment for sale on rbau...](#)

[Equipment for sale on ironpl...](#)

[Equipment for sale on masc...](#)

[Sell your equipment](#)

© 2007-2018 RitchieSpecs Equipment Specifications Ritchie Bros. Auctioneers © [Privacy Statement](#) | [Terms of Use](#)

OEM specifications are provided for base units. Actual equipment may vary with options.