



## **SURVIVAL FACTORS ATTACHMENT**

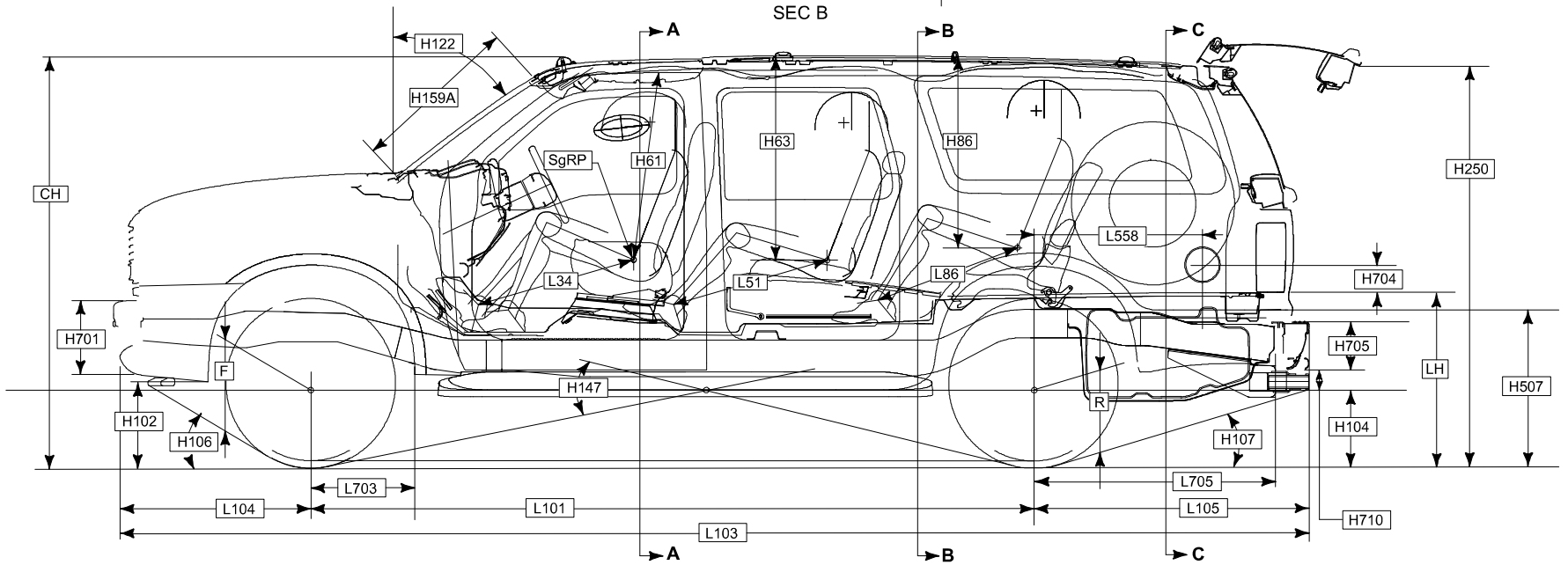
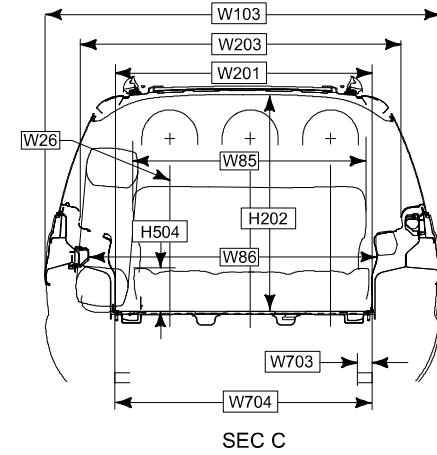
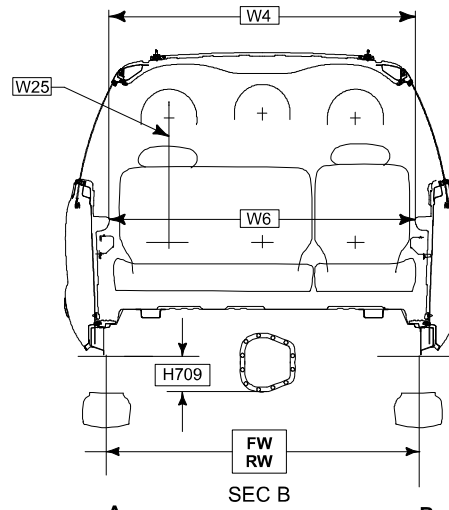
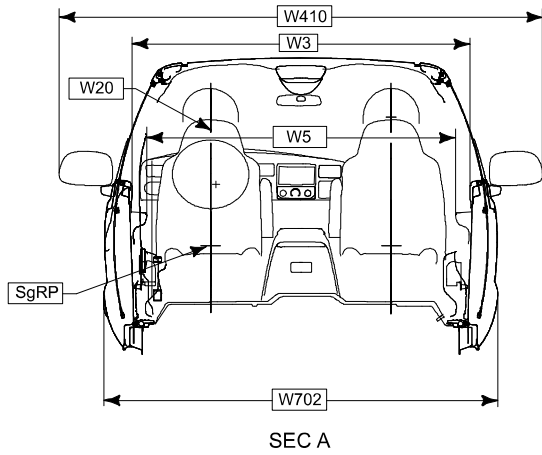
### **2001 Ford Excursion Dimensional Data**

**Schoharie, NY**

**HWY19MH001**

(5 pages)

# DIMENSIONAL DATA EXCURSION 4 DR/4X2/4X4



NOTE — [ ] DIMENSIONS ARE INCHES.

## DIMENSIONAL DATA EXCURSION 4 DR/4X2/4X4

CODE	DESCRIPTION	4X2	4X4
<b>EXTERIOR</b>			
H102	FRONT BUMPER HEIGHT TO GROUND	375 [14.8]	410 [16.1]
H103	FRONT BUMPER HEIGHT TO CURB GROUND	404 [15.9]	439 [17.2]
H104	REAR BUMPER HEIGHT TO CURB GROUND FROM BOTTOM OF HITCH	314 [12.4]	389 [15.3]
H106	ANGLE OF APPROACH AT GVW	20.3°	25.0°
H107	ANGLE OF DEPARTURE AT GVW	11.6°	15.1°
H122	ANGLE OF WINDSHIELD	52.8°	52.8°
H147	RAMP BREAKOVER ANGLE	6.8°	7.0°
H159A	WINDSHIELD HEIGHT	782 [30.8]	782 [30.8]
H202	REAR OPENING HEIGHT	968 [38.1]	968 [38.1]
H250	OVERALL TO OPEN LIFTGATE	1884 [74.2]	1887 [74.3]
H507	TOP OF FRAME TO GROUND	1830 [72.0]	1830 [72.0]
H701	FRONT BUMPER HEIGHT	361 [14.2]	361 [14.2]
H702	REAR BUMPER HEIGHT (W/STEP PAD)	227 [8.9]	227 [8.9]
H704	TOP OF FLOOR TO $\bar{C}$ OF FUEL FILLER	150 [5.9]	150 [5.9]
H705	REAR BUMPER HEIGHT	219 [8.6]	219 [8.6]
H709	$\bar{C}$ OF REAR AXLE TO BOTTOM OF AXLE HOUSING	164.9 [6.5]	164.9 [6.5]
H710	BOTTOM OF HITCH TO BOTTOM OF BUMPER	103 [4.0]	103 [4.0]
L101	WHEELBASE	3480 [137.0]	3484 [137.1]
L103	OVERALL LENGTH	5757 [226.7]	5757 [226.7]
L104	FRONT OVERHANG	950 [37.4]	950 [37.4]
L105	REAR OVERHANG	1328 [52.3]	1324 [52.1]
L558	$\bar{C}$ REAR AXLE TO $\bar{C}$ FUEL FILLER	787 [30.9]	787 [30.9]
L703	$\bar{C}$ FRONT AXLE TO COWL POINT AT GVW	447 [17.6]	447 [17.6]
L705	$\bar{C}$ REAR AXLE TO END OF FRAME	1157 [45.5]	1157 [45.5]
W103	VEHICLE WIDTH	2032 [80.0]	2032 [80.0]
W203	REAR OPEN WIDTH @ FLOOR	1417 [55.8]	1417 [55.8]
W410	OVERALL WIDTH WITH STANDARD MIRRORS	2484 [97.8]	2484 [97.8]
W702	FRONT BUMPER WIDTH	2006 [79.0]	2006 [79.0]
W703	FRAME RAIL WIDTH	68 [2.7]	68 [2.7]
W704	REAR FRAME WIDTH	955 [37.6]	955 [37.6]

CODE	DESCRIPTION	4X2	4X4
<b>INTERIOR</b>			
H61	EFFECTIVE HEADROOM — FRONT	1042 [41.0]	1042 [41.0]
H63	HEADROOM — SECOND ROW	1045 [41.1]	1045 [41.1]
H86	HEADROOM — THIRD ROW	980 [38.6]	980 [38.6]
H504	WHEELHOUSE HEIGHT	289 [11.4]	289 [11.4]
L34	MAXIMUM EFFECTIVE LEG ROOM — FRONT	1074 [42.3]	1074 [42.3]
L51	LEG ROOM — SECOND ROW	1028 [40.5]	1028 [40.5]
L86	LEG ROOM — THIRD ROW	990 [39.0]	990 [39.0]
TL23	SEAT TRACK TRAVEL	139 [5.5]	139 [5.5]
TL25	TRUE TRACK TRAVEL LENGTH	180 [7.1]	180 [7.1]
TL28	TRUE TRACK TRAVEL LENGTH REARWARD OF SGRP	40 [1.6]	40 [1.6]
V6	MAXIMUM CARGO VOLUME BEHIND FRONT SEATS — LITRES/CU.FT.	4145/146.4	4145/146.4
V7	CARGO VOLUME BEHIND 2nd ROW SEATS — LITRES/CU.FT.	2852/100.7	2852/100.7
V9	CARGO VOLUME BEHIND 3rd ROW SEATS (MEASURED FROM FLOOR TO BELTLINE) — LITRES/CU.FT.	1359/48.0	1359/48.0
W3	SHOULDER ROOM — FRONT	1736 [68.3]	1736 [68.3]
W4	SHOULDER ROOM — SECOND ROW	1702 [67.0]	1702 [67.0]
W5	HIP ROOM — FRONT	1715 [67.5]	1715 [67.5]
W6	HIP ROOM — SECOND ROW	1698 [66.9]	1698 [66.9]
W20	SgRP (Y)	- 464 [- 18.3]	- 464 [- 18.3]
W25	SgRP (Y) 2ND ROW SEAT — OUTBOARD SEATING POSITION	- 479 [- 18.9]	- 479 [- 18.9]
W85	SHOULDER ROOM — THIRD ROW	1648 [64.9]	1648 [64.9]
W86	HIP ROOM — THIRD ROW	1333 [52.5]	1333 [52.5]
W201	CARGO WIDTH BETWEEN WHEELHOUSE	1321 [52.0]	1321 [52.0]

NOTES — [ ] DIMENSIONS ARE INCHES.

— TIRE DATA, PAGE 115

## AXLE/TIRE/VEHICLE HEIGHT DATA EXCURSION 4 DR/4X2/4X4

RIDE HEIGHT DATA	F Height at Front Axle $\Delta$		R Height at Rear Axle $\Delta$		LH (H501)		CH (H101)		H104
	HEIGHT AT BASE CURB WEIGHT	LOADED HEIGHT @ SPRING RATING	HEIGHT AT BASE CURB WEIGHT	LOADED HEIGHT @ SPRING RATING	EMPTY (CURB)	LOADED (DESIGN)	EMPTY (CURB)	LOADED (DESIGN)	BOTTOM (CURB)
4X2	526 [20.7]	516 [20.3]	632 [24.9]	505 [19.9]	917 [36.12]	811 [31.95]	1966 [77.4]	1880 [74.04]	444 [17.5]
4X4	627 [24.7]	604 [23.8]	731 [28.8]	604 [23.8]	996 [39.22]	883 [34.77]	2042 [80.4]	2030 [79.95]	391 [15.4]

Standard tire is LT265/75Rx16; Optional tire is P265/70R17; WB is 119"

$\Delta$  The height shown represents dimensions of a base, standard vehicle with no options. Actual height may vary due to production tolerances.

## EXCURSION TIRE AND WHEEL DATA

### TIRE SPECIFICATIONS

Tire Size	Rim Width [in]	AA Maximum Section Width [in]		BB Maximum Diameter		*CC Minimum Loaded Radius [in]	
		All-Season	All-Terrain	All-Season	All-Terrain	All-Season	All-Terrain
LT265/75Rx16	7.0	10.51	—	32.28	—	14.60	—
LT265/75Rx16	7.0	—	10.51	—	32.52	—	14.80

\* This number represents Radius-Axle Centerline to Ground with Maximum Rated Load on Tire at Maximum Pressure.

### WHEEL SPECIFICATIONS

Wheel Type	Wheel Size	Inset [in]	No. of Studs	Bolt Circle [in]	Max. Wheel Capacity [lb @ Ground]
Styled Steel	16" x 7.0" K	0.25	8	6.7	3415
Chrome Styled Aluminum	16" x 7.0" K	0.25	8	6.7	3415
Premium Aluminum	16" x 7.0" K	0.25	8	6.7	3415

NOTE — [ ] DIMENSIONS ARE INCHES.