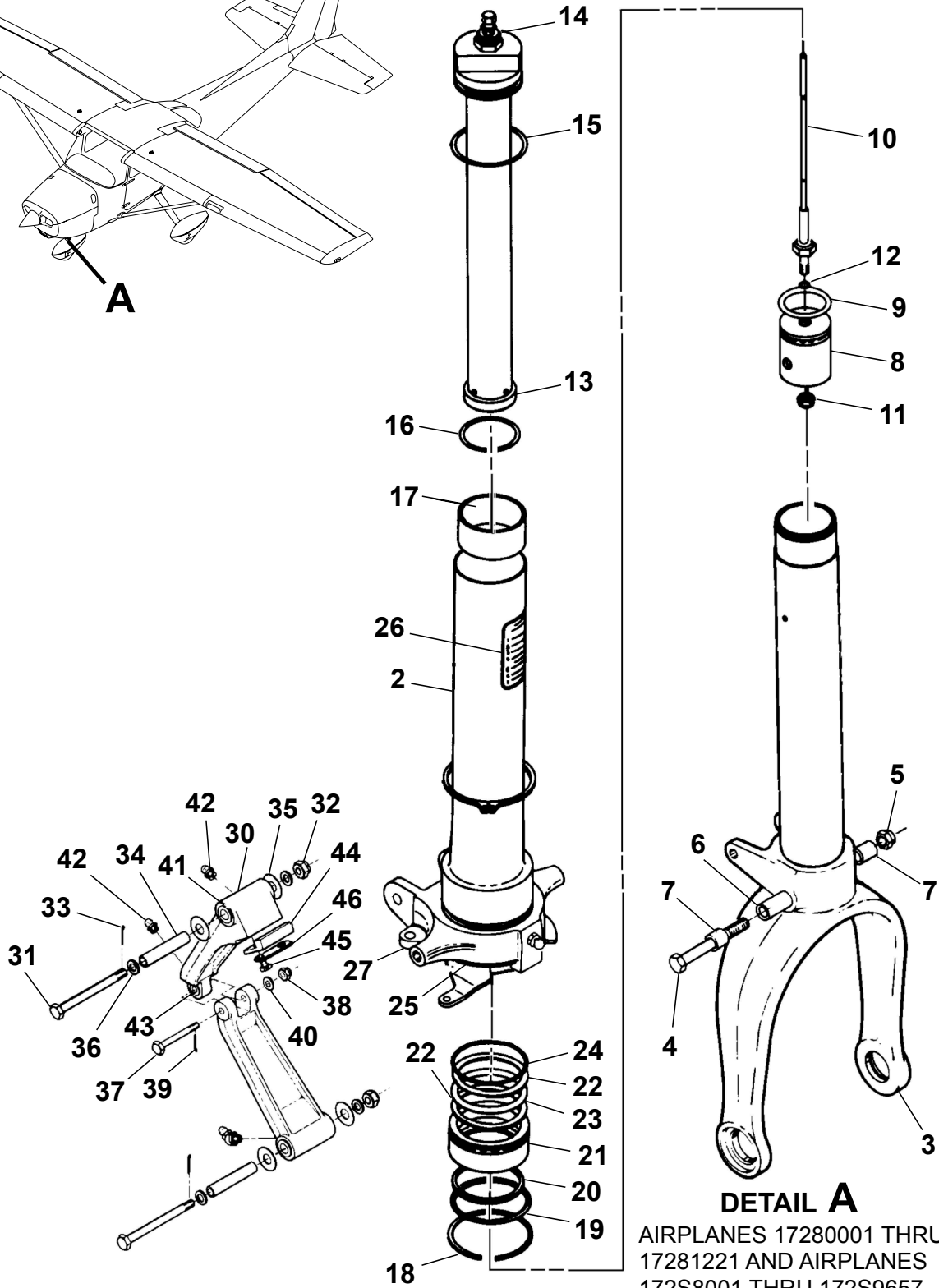
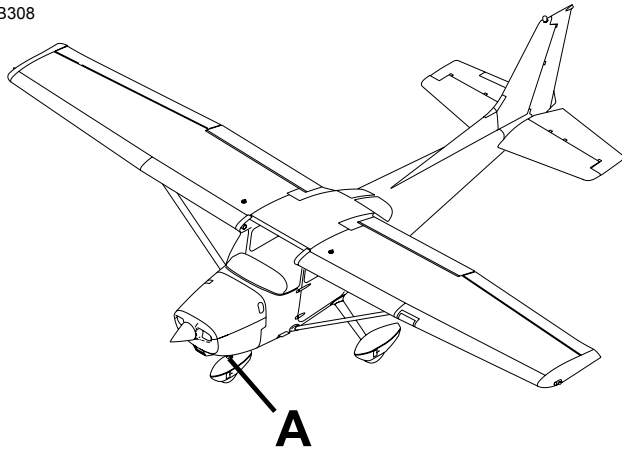


CESSNA®  
**MODEL 172 (SERIES 1996 AND ON)**  
 ILLUSTRATED PARTS CATALOG

B308



**DETAIL A**

AIRPLANES 17280001 THRU  
 17281221 AND AIRPLANES  
 172S8001 THRU 172S9657

0510T1007  
 A0542T1005

**NOSE GEAR SHOCK STRUT ASSEMBLY**  
 Figure 01. (Sheet 1)

CESSNA®  
**MODEL 172 (SERIES 1996 AND ON)**  
 ILLUSTRATED PARTS CATALOG

**NOSE GEAR SHOCK STRUT ASSEMBLY**

**AIRPLANES (172R) 80001 THRU 81221 AND AIRPLANES (172S) 08001 THRU 09657**

ITEM	PART NUMBER	NOMENCLATURE							EFFECTIVITY	UNITS PER ASSY
		1	2	3	4	5	6	7		
- 1	0543062-3	.	.	.	.	.	.	.	(172) 80001 - 81142	01
- 1A	0543062-3	.	.	.	.	.	.	.	(172S) 08001 - 09288	01
- 1B	0543062-20	.	.	.	.	.	.	.	(172) 81143 - 81221	NP
									FOR SPARES ORDER (MUST REPLACE WITH): 0543062-29	
- 1C	0543062-20	.	.	.	.	.	.	.	(172S) 09289 - 09657	NP
									FOR SPARES ORDER (MUST REPLACE WITH): 0543062-29	
- 1D	0543062-29	.	.	.	.	.	.	.	(172) 81143 - 81221	01
									SHOCK STRUT ASSEMBLY SPARES REPLACEMENT FOR: 0543062-20	
- 1E	0543062-29	.	.	.	.	.	.	.	(172S) 09289 - 09657	01
									SHOCK STRUT ASSEMBLY SPARES REPLACEMENT FOR: 0543062-20	
2	0543008-2	.	.	.	.	.	.	.	(172) 80001 - 81221 (172S) 08001 - 09657	NP
									TUBE ASSEMBLY - SHOCK STRUT FOR SPARES ORDER (MUST REPLACE WITH): 0543090-2	
- 2A	0543090-2	.	.	.	.	.	.	.	(172) 80001 - 81221 (172S) 08001 - 09657	01
									TUBE ASSEMBLY SPARES REPLACEMENT FOR: 0543008-2	
3	0543043-3	.	.	.	.	.	.	.	(172) 80001 - 81221 (172S) 08001 - 09657	01
									FORK - NOSE GEAR	
									ATTACHING PARTS	
4	AN5-47A	.	.	.	.	.	.	.	(172) 80001 - 81221 (172S) 08001 - 09657	01
									BOLT	
5	MS21042L5	.	.	.	.	.	.	.	(172) 80001 - 81221 (172S) 08001 - 09657	01
									NUT	
6	NAS75-5-231	.	.	.	.	.	.	.	(172) 80001 - 81221 (172S) 08001 - 09657	01
									BUSHING	
7	0743009-1	.	.	.	.	.	.	.	(172) 80001 - 81221 (172S) 08001 - 09657	02
									BUSHING	
									--*--	
8	0743612-1	.	.	.	.	.	.	.	(172) 80001 - 81221 (172S) 08001 - 09657	01
									PLUG - PIN BASE	
9	MS28775-221	.	.	.	.	.	.	.	(172) 80001 - 81221 (172S) 08001 - 09657	01
									O-RING	
									<b>NOTE: THESE PARTS ARE INCLUDED IN SK172-1 KIT INCORPORATING SB04-32-01.</b>	
10	0442017-7	.	.	.	.	.	.	.	(172) 80001 - 81221 (172S) 08001 - 09657	NP
									METERING PIN ASSEMBLY FOR SPARES ORDER (MUST REPLACE WITH): 0743091-1	
- 10A	0743091-1	.	.	.	.	.	.	.	(172) 80001 - 81221 (172S) 08001 - 09657	01
									METERING PIN SPARES REPLACEMENT FOR: 0442017-7	
11	MS21042L4	.	.	.	.	.	.	.	(172) 80001 - 81221 (172S) 08001 - 09657	01
									NUT	
12	MS28775-010	.	.	.	.	.	.	.	(172) 80001 - 81221 (172S) 08001 - 09657	01
									O-RING	
									<b>NOTE: THESE PARTS ARE INCLUDED IN SK172-1 KIT INCORPORATING SB04-32-01.</b>	

- ITEM NOT ILLUSTRATED

CESSNA®  
**MODEL 172 (SERIES 1996 AND ON)**  
 ILLUSTRATED PARTS CATALOG

**NOSE GEAR SHOCK STRUT ASSEMBLY**

**AIRPLANES (172R) 80001 THRU 81221 AND AIRPLANES (172S) 08001 THRU 09657**

ITEM	PART NUMBER	NOMENCLATURE							EFFECTIVITY	UNITS PER ASSY
		1	2	3	4	5	6	7		
13	0743621-9	.	.	.					(172) 80001 - 81221 (172S) 08001 - 09657	01
14	S1827-1	.	.	.	.				(172) 80001 - 81221 (172S) 08001 - 09657	01
15	MS28775-225	.	.	.					(172) 80001 - 81221 (172S) 08001 - 09657	01
		<b>NOTE: THESE PARTS ARE INCLUDED IN SK172-1 KIT INCORPORATING SB04-32-01.</b>								
16	0841200-19	.	.	.					(172) 80001 - 81221 (172S) 08001 - 09657	01
		<b>NOTE: THESE PARTS ARE INCLUDED IN SK172-1 KIT INCORPORATING SB04-32-01.</b>								
17	1243816-1	.	.	.					(172) 80001 - 81221 (172S) 08001 - 09657	01
18	0841200-25	.	.	.					(172) 80001 - 81221 (172S) 08001 - 09657	01
		<b>NOTE: THESE PARTS ARE INCLUDED IN SK172-1 KIT INCORPORATING SB04-32-01.</b>								
19	0841200-15	.	.	.					(172) 80001 - 81221 (172S) 08001 - 09657	01
20	S2418-1	.	.	.					(172) 80001 - 81221 (172S) 08001 - 09657	01
		<b>NOTE: THESE PARTS ARE INCLUDED IN SK172-1 KIT INCORPORATING SB04-32-01.</b>								
21	1243626-1	.	.	.					(172) 80001 - 81221 (172S) 08001 - 09657	01
22	S1628-329	.	.	.					(172) 80001 - 81221 (172S) 08001 - 09657	02
		<b>NOTE: THESE PARTS ARE INCLUDED IN SK172-1 KIT INCORPORATING SB04-32-01.</b>								
23	MS28775-329	.	.	.					(172) 80001 - 81221 (172S) 08001 - 09657	01
		<b>NOTE: THESE PARTS ARE INCLUDED IN SK172-1 KIT INCORPORATING SB04-32-01.</b>								
24	MS28775-228	.	.	.					(172) 80001 - 81221 (172S) 08001 - 09657	01
		<b>NOTE: THESE PARTS ARE INCLUDED IN SK172-1 KIT INCORPORATING SB04-32-01.</b>								
25	0543029-0	.	.	.					(172) 80001 - 81221 (172S) 08001 - 09657	01
26		.	.	.						RF
		REFER TO <a href="#">11-10-00 FIGURE 01</a> .								
27	0743011-8	.	.	.					(172) 80001 - 81221 (172S) 08001 - 09657	01
- 28	S1997-44H16	.	.	.					(172) 80001 - 81221 (172S) 08001 - 09657	01
- 29	MS15002-1	.	.	.					(172) 80001 - 81221 (172S) 08001 - 09657	NP
		FITTING - LUBRICATION FOR SPARES ORDER (MUST REPLACE WITH): AS15002-1-C AS15002-1-P								

- ITEM NOT ILLUSTRATED

CESSNA®  
**MODEL 172 (SERIES 1996 AND ON)**  
 ILLUSTRATED PARTS CATALOG

**NOSE GEAR SHOCK STRUT ASSEMBLY**

**AIRPLANES (172R) 80001 THRU 81221 AND AIRPLANES (172S) 08001 THRU 09657**

ITEM	PART NUMBER	NOMENCLATURE							EFFECTIVITY	UNITS PER ASSY
		1	2	3	4	5	6	7		
- 29A	AS15002-1-C	.	.	.	.	LUBRICATION FITTING SPARES REPLACEMENT FOR: MS15002-1			(172) 80001 - 81221 (172S) 08001 - 09657	01
- 29B	AS15002-1-P	.	.	.	.	LUBRICATION FITTING SPARES REPLACEMENT FOR: MS15002-1			(172) 80001 - 81221 (172S) 08001 - 09657	01
30	0442506-1	.	.	.	.	TORQUE LINK ASSEMBLY - UPPER			(172) 80001 - 81221 (172S) 08001 - 09657	01
						ATTACHING PARTS				
31	AN4-31	.	.	.	.	BOLT			(172) 80001 - 81221 (172S) 08001 - 09657	01
32	AN310-4	.	.	.	.	NUT			(172) 80001 - 81221 (172S) 08001 - 09657	01
33	MS24665-134	.	.	.	.	COTTER PIN			(172) 80001 - 81221 (172S) 08001 - 09657	01
34	0543047-1	.	.	.	.	SPACER			(172) 80001 - 81221 (172S) 08001 - 09657	01
35	S1450-6B14-010	.	.	.	.	WASHER			(172) 80001 - 81221 (172S) 08001 - 09657	AR
36	NAS1149F0432P	.	.	.	.	WASHER			(172) 80001 - 81221 (172S) 08001 - 09657	AR
37	NAS464-3-22	.	.	.	.	BOLT			(172) 80001 - 81221 (172S) 08001 - 09657	01
38	AN310-3	.	.	.	.	NUT			(172) 80001 - 81221 (172S) 08001 - 09657	01
39	MS24665-132	.	.	.	.	COTTER PIN			(172) 80001 - 81221 (172S) 08001 - 09657	01
40	NAS1149F0332P	.	.	.	.	WASHER			(172) 80001 - 81221 (172S) 08001 - 09657	01
						---*				
41	NAS77-6-88	.	.	.	.	BUSHING FOR SPARES ORDER (MUST REPLACE WITH): NAS77-6-088			(172) 80001 - 81221 (172S) 08001 - 09657	NP
- 41A	NAS77-6-088	.	.	.	.	BUSHING SPARES REPLACEMENT FOR: NAS77-6-88			(172) 80001 - 81221 (172S) 08001 - 09657	02
42	MS15002-1	.	.	.	.	FITTING - LUBRICATION FOR SPARES ORDER (MUST REPLACE WITH): AS15002-1-C AS15002-1-P			(172) 80001 - 81221 (172S) 08001 - 09657	NP
- 42A	AS15002-1-C	.	.	.	.	FITTING - LUBRICATION SPARES REPLACEMENT FOR: MS15002-1			(172) 80001 - 81221 (172S) 08001 - 09657	02
- 42B	AS15002-1-P	.	.	.	.	LUBRICATION FITTING SPARES REPLACEMENT FOR: MS15002-1			(172) 80001 - 81221 (172S) 08001 - 09657	02
43	NAS77-3-23	.	.	.	.	BUSHING FOR SPARES ORDER (MUST REPLACE WITH): NAS77-3-023			(172) 80001 - 81221 (172S) 08001 - 09657	NP
- 43A	NAS77-3-023	.	.	.	.	BUSHING SPARES REPLACEMENT FOR: NAS77-3-23			(172) 80001 - 81221 (172S) 08001 - 09657	02
- ITEM NOT ILLUSTRATED										

CESSNA®  
**MODEL 172 (SERIES 1996 AND ON)**  
 ILLUSTRATED PARTS CATALOG

**NOSE GEAR SHOCK STRUT ASSEMBLY**

**AIRPLANES (172R) 80001 THRU 81221 AND AIRPLANES (172S) 08001 THRU 09657**

ITEM	PART NUMBER	NOMENCLATURE							EFFECTIVITY	UNITS
		1	2	3	4	5	6	7		PER
										ASSY
44	0442506-8	.	.	.	STOP LUG				(172) 80001 - 81221 (172S) 08001 - 09657	01
45	AN3-3A	.	.	.	BOLT				(172) 80001 - 81221 (172S) 08001 - 09657	02
46	0442506-9	.	.	.	LUG - SAFETY				(172) 80001 - 81221 (172S) 08001 - 09657	01

- ITEM NOT ILLUSTRATED