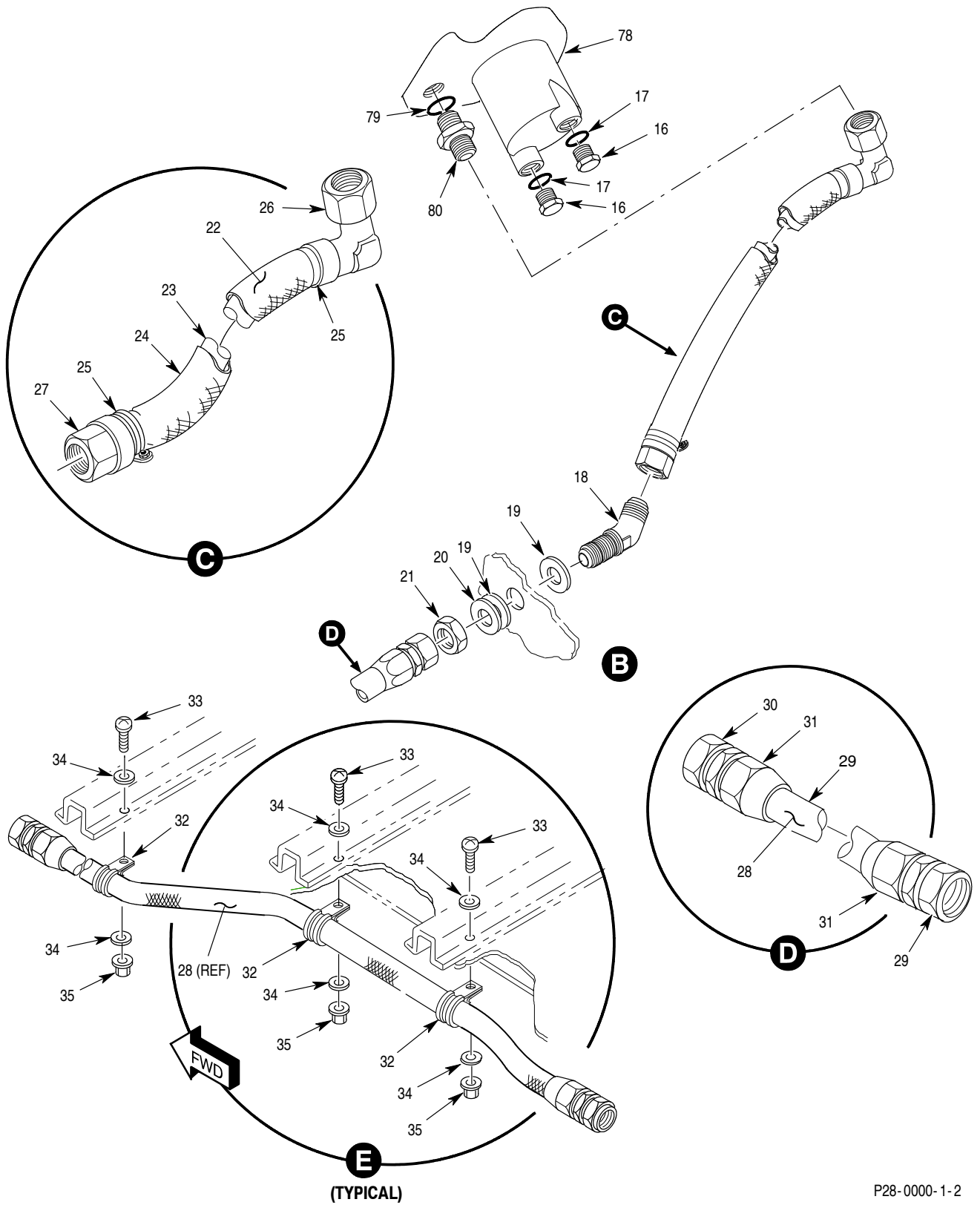


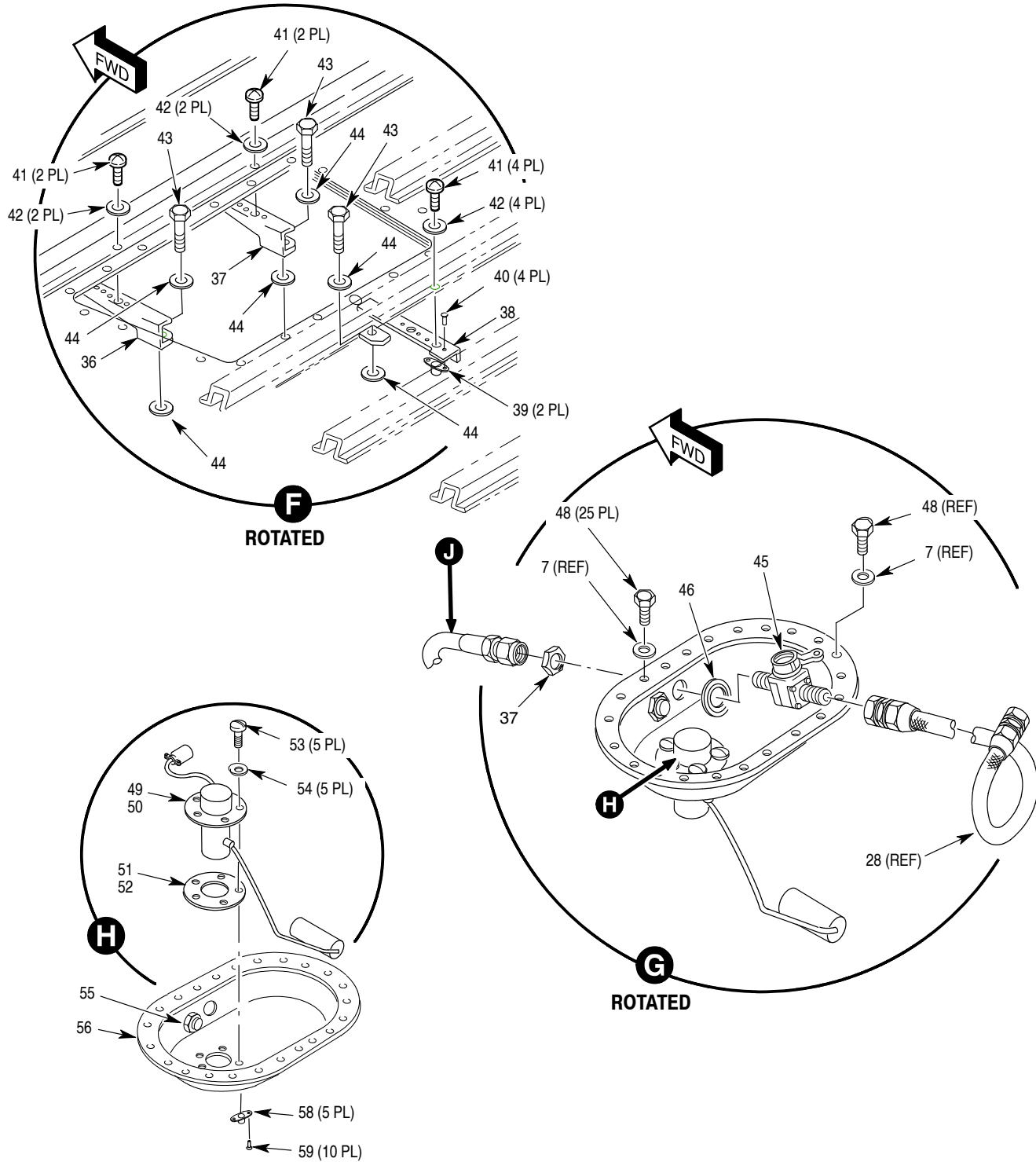
P28-0000-1-1

Figure 1. Fuel System Installation — 369D/369E (Sheet 1 of 4)



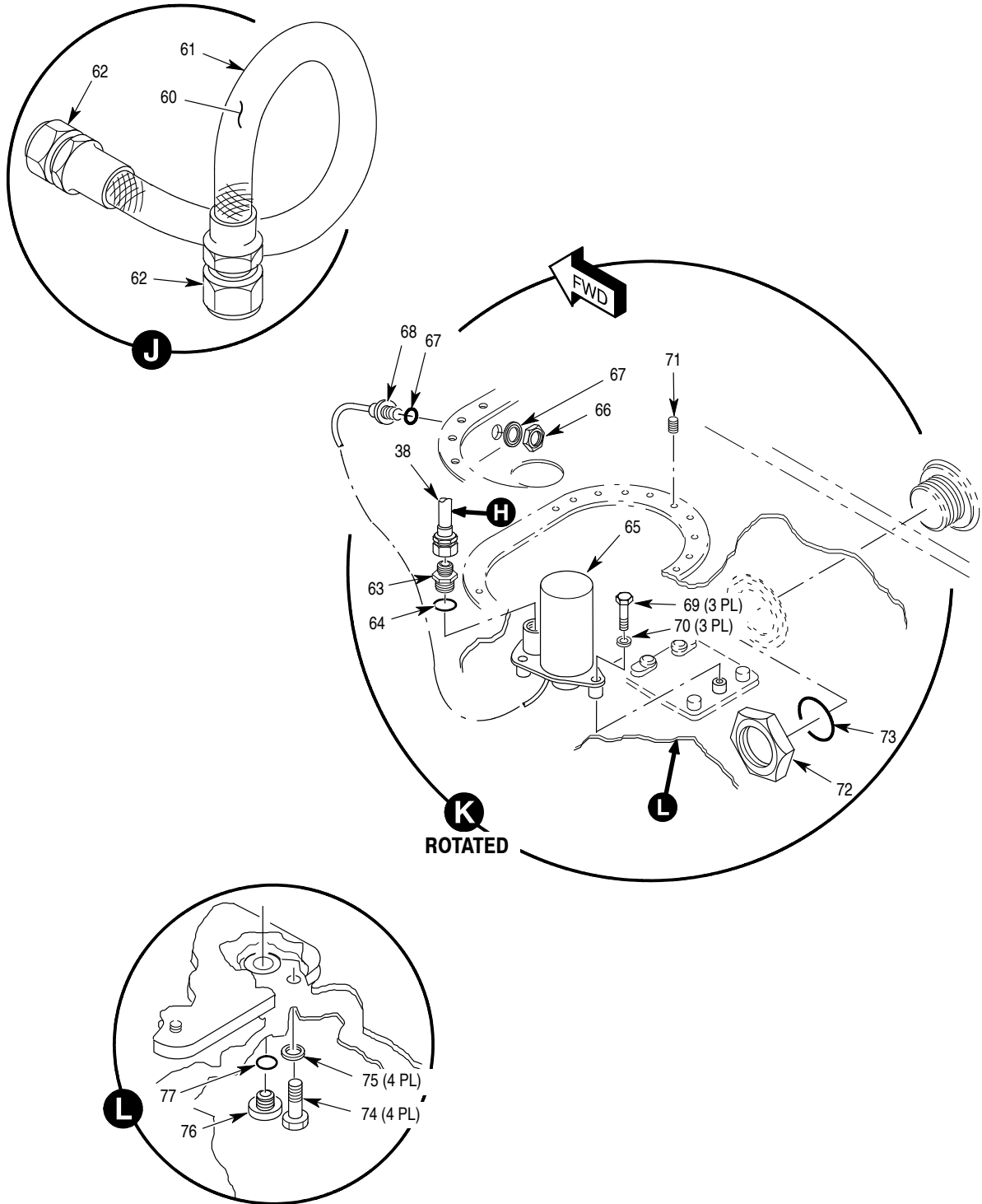
P28-0000-1-2

Figure 1. Fuel System Installation — 369D/369E (Sheet 2 of 4)



P28-0000-1-3

Figure 1. Fuel System Installation — 369D/369E (Sheet 3 of 4)



P28-0000-1-4

Figure 1. Fuel System Installation — 369D/369E (Sheet 4 of 4)

MD Helicopters Inc.  
ILLUSTRATED PARTS CATALOG

I L L	Fig. No.	Item No.	Part Number	Description	Qty. per Assy.	Used on Code	Model / Serial No. From - To
	1		369A8100-505	Fuel System Installation ..... (250- C20B Engine) (Nonprocurable) Ref. 71-00-00, Figure 1, for NHA	REF	A	D 00001-00129
	1		369A8100-507	Fuel System Installation ..... (250- C20B And 250- C20R/2 Engine) (Nonprocurable) <b>Note:</b> Used With Standard Engine Fuel Pump Ref. 71-00-00, Figure 1, for NHA	REF	B	D 00130- SUBS E 00001- SUBS
	1		369A8100-511	Fuel System Installation ..... (250- C20R/2 Engine) (Nonprocurable) <b>Note:</b> Used With Jet Inducer Engine Fuel Pump Ref. 71-00-00, Figure 1, for NHA	REF	C	E 00451- SUBS
	1	1	MS24391D6	• Plug, Bleeder .....	1		
	1	2	MS29512-06	• Packing, Preformed .....	1		
	1	3	MS21920-28	• Clamp, Hose .....	1		
	1	4	MS90298-2	• Connector, Receptacle, Grounding .....	1		
	1	5	369A8101- BSC	• Cover Assembly, Fuel Cell, RH .....	1		
	1	6	NAS1304-2	• Bolt, Tension .....	34		
	1	7	AN960KD416	• Washer, Flat .....	34		
	1	7	NAS1149D0463K	• Washer, Flat .....	ALTN		
	1	8	369A8136-503	• Control Installation, Fuel Shutoff Valve ... Replaced by 369A8136-505 Ref. Figure 4 for BKDN	REPL		D 00001-01288
	1	8	369A8136-505	• Control Installation, Fuel Shutoff Valve ... Replaces 369A8136-503 Ref. Figure 4 for BKDN	1		D 01289- SUBS E 00001- SUBS
	1	9	369H8101-3	• Cell Assembly, Fuel, LH .....	1		
	1	10	369H8101-5	• Cell Assembly, Fuel, RH .....	1		
N	1	11	369H90029- BSC	• Fuel Tanks, Self Sealing, Customer Option Replaced by 369H90029- 21 <b>Note:</b> Contact MDHI Field Service Representative	REPL		
N	1	11	369H90029- 21	• Fuel Tanks, Self Sealing, Customer Option Replaces 369H90029- BSC <b>Note:</b> Contact MDHI Field Service Representative	1		
	1	12	369A8102-3	• Cell Assembly, Self Sealing Fuel, LH ...	1		
	1	13	369A8102-5	• Cell Assembly, Self Sealing Fuel, RH ...	1		
	1	14	320-2-45107-1	• Rod, Baffle Support .....	1		
	1	15	369A8131-503	• Vent Installation, Fuel System .....	1		D 00001- SUBS E 00001- SUBS
	1	16	AN814-4DL	• Plug .....	2		
	1	17	MS29512-04	• Packing .....	2		
	1	18	AN837-8D	• Elbow, 45- Degree .....	1		
	1	19	AN960KD1216	• Washer, Flat .....	2		
	1	19	NAS1149D1290K	• Washer, Flat .....	ALTN		
	1	20	HS5079-4346	• Laminated Washer .....	AR		
	1	21	AN924-8D	• Nut, Tube .....	1		

MD Helicopters Inc.  
ILLUSTRATED PARTS CATALOG

CSP- IPC- 4

I L L	Fig. No.	Item No.	Part Number	Description	Qty. per Assy.	Used on Code	Model / Serial No. From - To
	1	22	369H8102- BSC	• Hose Assembly, Fuel (17.50 Inches (444.5 mm)) . . . . .	1		D 00001- SUBS E 00001- SUBS
	1	23	AE701- 8	• • Hose . . . . .	AR		
	1	24	AE101/624- 16	• • Fire Sleeve . . . . .	AR		
	1	25	AN737W48	• • Clamp . . . . .	2		
	1	26	8891- 8D	• • Fitting, Hose . . . . .	1		
	1	27	816- 8D	• • Fitting . . . . .	1		
	1	28	369A8010- 619	• Tube Assembly . . . . . Replaced by 369H8008- BSC	REPL		D 00001- 00129
	1	28	369H8008- BSC	• Hose Assembly, Fuel . . . . . Replaces 369A8010- 619	1		D 00130- SUBS E 00001- SUBS
	1	29	601- 8	• • Hose . . . . .	1		
	1	30	526- 8D	• • Nipple Assembly . . . . .	2		
	1	31	516- 8D	• • Socket Assembly . . . . .	2		
	1	32	MS21919DF10	• Clamp, Loop, Cushioned . . . . .	3		
	1	33	NAS623- 3- 2	• Screw, Panhead, Short- Thread . . . . .	3		
	1	34	AN960- 10L	• Washer, Flat . . . . .	6		
	1	34	NAS1149F0332P	• Washer, Flat . . . . .	ALTN		
	1	35	MS21042L3	• Nut, Self- Locking, Ring Base . . . . .	3		
	1	36	369A8112- 5	• Bracket Assembly, Access Cover Mounting . . . . .	1		
	1	37	369A8112- 7	• Bracket Assembly, Access Cover Mounting . . . . .	1		
	1	38	369A8112- 3	• Bracket Assembly, Access Cover Mounting . . . . .	1		
	1	39	MT2S1032K1BC	• • Nutplate . . . . .	2		
	1	40	MS20426AD3	• • Rivet, Solid, Countersunk 100 Degrees, Precision Head . . . . .	4		
	1	41	NAS623- 3- 3	• Screw, Panhead, Short- Thread . . . . .	6		
	1	42	AN960KD10L	• Washer, Flat . . . . .	6		
	1	42	NAS1149D0332K	• Washer, Flat . . . . .	ALTN		
	1	43	NAS1304- 2	• Bolt, Tension . . . . .	3		
	1	44	AN960KD416	• Washer, Flat . . . . .	6		
	1	44	NAS1149D0463K	• Washer, Flat . . . . .	ALTN		
	1	45	369A8104- 5	• Valve Assembly, Fuel Shutoff, LH . . . . . Replaced by 369A8104- 7	REPL		D 00001- 01284 E 00001- 00018
	1	45	369A8104- 7	• Valve Assembly, Fuel Shutoff, LH Fuel Cell Replaces 369A8104- 5	1		D 01285- SUBS E 00019- SUBS
	1	46	250- 215- 8	• Washer, Seal . . . . .	1		
	1	47	AN924- 8D	• Nut, Tube . . . . .	1		
	1	48	NAS1304- 3H	• Bolt, Tension . . . . .	1		
	1	49	369A4245- 501	• Rheostat, Tank Unit, Fuel Quantity . . . . . Replaced by 369A4245- 503 <b>Note:</b> Low Level Warning 35 lbs (16 kg)	REPL		D 00001- 00129
	1	49	369A4245- 503	• Rheostat, Tank Unit, Fuel Quantity . . . . . Replaced by 369D296303- BSC Replaces 369A4245- 501 <b>Note:</b> Low Level Warning 35 lbs (16 kg)	REPL		D 00130- 01049 E 00001- 00302

MD Helicopters Inc.  
ILLUSTRATED PARTS CATALOG

I L L	Fig. No.	Item No.	Part Number	Description	Qty. per Assy.	Used on Code	Model / Serial No. From - To
	1	50	369D296303- BSC	• Sensor, Fuel Quantity . . . . . Replaced by 369D296303- 3 Replaces 369A4245- 503 <b>Note:</b> Low Level Warning 35 lbs (16 kg)	REPL		D 01050-01265 E 00001-00302
	1	50	369D296303- 3	• Sensor, Fuel Quantity . . . . . Replaced by 369D296303- 5 Replaces 369D296303- BSC <b>Note:</b> Low Level Warning 35 lbs (16 kg)	REPL		D 01266-01373 E 00001-00302
	1	50	369D296303- 5	• Sensor, Fuel Quantity . . . . . Replaces 369D296303- 3 <b>Note:</b> Low Level Warning 35 lbs (16 kg)	1		D SPARES E 00303- SUBS
	1	51	369A4518- BSC	• Gasket . . . . . Use with Item 48	1		D 00001-01049 E 00001- SUBS
	1	52	15- 423	• Gasket . . . . . Use with Item 49	1		D 01050- SUBS E 00001- SUBS
	1	53	AN502- 10- 8	• Screw . . . . . Use with Item 48	5		
	1	53	AN502- 10- 12	• Screw . . . . . Use with Item 49	5		
	1	54	NAS620- 10L	• Washer, Flat . . . . .	5		
	1	55	369A8135- BSC	• Cover Assembly, Fuel Cell, LH . . . . .	1		
	1	56	369A8135- 3	• Cover, Fuel Cell, LH . . . . .	1		
N	1	57	369A8135- 5	• Seal . . . . .	1		
	1	58	FMA2502- 02	• Nutplate . . . . .	5		
	1	59	MS20426A3- 4	• Rivet, Solid, Countersunk 100 Degrees, Precision Head . . . . .	10		
	1	60	369A8113- BSC	• Hose Assembly, Fuel Inlet, LH Fuel Cell (18.00 inches (457.2 mm)) . . . . .	1		
	1	61	369A8113- 3	• Hose . . . . .	1		
	1	62	MS24587- 8	• Adapter Assembly, Straight . . . . .	2		
	1	63	MS24392D8	• Nipple . . . . .	1		
	1	64	MS29512- 08	• Packing, Preformed . . . . .	1		
	1	65	369A8143- BSC	• Pump Assembly, Fuel, Auxiliary . . . . . Replaced by 369A8143- 3	REPL		
	1	65	369A8143- 3	• Pump Assembly, Fuel, Auxiliary . . . . . Replaces 369A8143- BSC	1		
	1	66	10- 123017- 87	• Nut . . . . .	1		
	1	67	10- 90351- 17	• Packing . . . . .	2		
	1	67	MS29513- 017	• O- Ring . . . . .	ALTN		
	1	68	PT07P8- 3P	• Plug, Receptacle . . . . .	1		
	1	69	NAS1303- 14	• Bolt, Tension . . . . .	3		
	1	70	AN960KD10	• Washer, Flat . . . . .	3		
	1	70	NAS1149D0363K	• Washer, Flat . . . . .	ALTN		
	1	71	NAS1081- 4A10	• Setscrew . . . . .	1		
	1	72	369A8106- BSC	• Nut Assembly, Fuel Cell . . . . .	1		
	1	73	MS29512- 28	• Packing, Preformed . . . . .	1		
	1	74	NAS1303- 1H	• Bolt, Tension . . . . .	4		
	1	75	AN960KD10	• Washer, Flat . . . . .	4		
	1	75	NAS1149D0363K	• Washer, Flat . . . . .	ALTN		
	1	76	CAV170	• Valve, Drain . . . . .	1		

MD Helicopters Inc.  
ILLUSTRATED PARTS CATALOG

CSP- IPC- 4

I L L	Fig. No.	Item No.	Part Number	Description	Qty. per Assy.	Used on Code	Model / Serial No. From - To
1	77		MS29512-04	• • Packing, Preformed .....	1		
1	78		369D28701-501	Build Up Assembly, Engine 250- C20R/2 ... (Jet Inducer Fuel Pump) Ref. 71-00-20, Figure 1, for NHA	REF		
1	79		AN919- 11D	Reducer .....	REF		
				Ref. 71-00- 10, Figure 2, for NHA			
1	80		MS29512-05	Packing .....	REF		
				Ref. 71-00- 10, Figure 2, for NHA			