

POWER PLANT COWLING
AIRPLANES 0001 THRU 0299

ITEM	PART NUMBER	NOMENCLATURE							EFFECTIVITY	UNITS PER ASSY
		1	2	3	4	5	6	7		
- 1	6352700-33	0001 - 0029	NP
- 2	6352700-45	0030 - 0059	NP
- 3	6352700-83	0060 - 0069	01
- 4	6352700-93	0070 - 0094	01
- 5	6352700-103	0095 - 0154	NP
- 6	6352700-123	0155 - 0299	01
- 7	6352700-34	0001 - 0029	NP
- 8	6352700-46	0030 - 0059	NP
- 9	6352700-84	0060 - 0069	01
- 10	6352700-94	0070 - 0094	01
- 11	6352700-104	0095 - 0154	NP
- 12	6352700-124	0155 - 0299	01
- 13	6352700-3	0001 - 0029	NP
- 14	6352700-67	0030 - 0059	NP
- 15	6352700-81	0060 - 0069	NP
- 16	6352700-91	0070 - 0094	NP
- 17	6352700-101	0095 - 0154	NP
- 18	6352700-121	0155 - 0211	01
- 19	6352700-129	0212 - 0299	01
- 20	6352700-4	0001 - 0029	NP
- 21	6352700-66	0030 - 0059	NP
- 22	6352700-82	0060 - 0069	NP
- 23	6352700-92	0070 - 0094	NP
- 24	6352700-102	0095 - 0154	NP

- ITEM NOT ILLUSTRATED

POWER PLANT COWLING
AIRPLANES 0001 THRU 0299

ITEM	PART NUMBER	NOMENCLATURE							EFFECTIVITY	UNITS PER ASSY	
		1	2	3	4	5	6	7			
- 25	6352700-122	. . .	UPPER COWL DOOR ASSEMBLY - RIGHT SPARES REPLACEMENT FOR: 6352700-4 6352700-66 6352700-82 6352700-92 6352700-102							0155 - 0211	01
- 26	6352700-130	. . .	UPPER COWL DOOR ASSEMBLY - RIGHT							0212 - 0299	01
- 26A	6352200-13	. . .	ANGLE - LEFT							0001 - 0299	01
- 26B	6352200-14	. . .	ANGLE - RIGHT							0001 - 0299	01
- 27	S2319-3	. . .	STUD - LEFT & RIGHT							0001 - 0029	46
27A	S3412-103	. . .	STUD - LEFT & RIGHT							0030 - 0299	44
28	S2319-63	. . .	GROMMET - LEFT & RIGHT							0001 - 0299	AR
- 29	CM2791-1	. . .	SNAP RING - LEFT & RIGHT							V71286 0001 - 0029	AR
30	CM2791-2	. . .	SNAP RING - LEFT & RIGHT							0030 - 0299	AR
- 31	S2319-52	. . .	RECEPTACLE - LEFT & RIGHT							0001 - 0154	24
32	S2319-50	. . .	RECEPTACLE - LEFT & RIGHT							0155 - 0299	24
- 33	6352700-11	. . .	ANGLE - LEFT FOR SPARES ORDER (MUST REPLACE WITH): 6352700-71							0001 - 0029	NP
- 34	6352700-63	. . .	ANGLE - LEFT FOR SPARES ORDER (MUST REPLACE WITH): 6352700-71							0030 - 0059	NP
35	6352700-71	. . .	ANGLE - LEFT SPARES REPLACEMENT FOR: 6352700-11 6352700-63							0060 - 0299	01
- 36	6352700-12	. . .	ANGLE - RIGHT FOR SPARES ORDER (MUST REPLACE WITH): 6352700-72							0001 - 0029	NP
- 37	6352700-62	. . .	ANGLE - RIGHT FOR SPARES ORDER (MUST REPLACE WITH): 6352700-72							0030 - 0059	NP
- 38	6352700-72	. . .	ANGLE - RIGHT SPARES REPLACEMENT FOR: 6352700-12 6352700-62							0060 - 0299	01
39	6352700-7	. . .	UPPER COWL DOOR - LEFT							0001 - 0299	01
- 40	6352700-8	. . .	UPPER COWL DOOR - RIGHT							0001 - 0299	01
- 41	6352700-13	. . .	SEAL RETAINER UPPER - LEFT							0001 - 0029	01
- 42	6352700-57	. . .	SEAL RETAINER UPPER - LEFT							0030 - 0154	01
- 43	6352700-59	. . .	SEAL RETAINER UPPER - LEFT							0030 - 0154	01
- 44	6352700-61	. . .	SEAL RETAINER UPPER - LEFT							0030 - 0154	01
45	6352700-119	. . .	SEAL RETAINER UPPER - LEFT							0155 - 0299	01
- 46	6352700-14	. . .	SEAL RETAINER UPPER - RIGHT							0001 - 0029	01
- 47	6352700-56	. . .	SEAL RETAINER UPPER - RIGHT							0030 - 0154	01
- 48	6352700-58	. . .	SEAL RETAINER UPPER - RIGHT							0030 - 0154	01
- 49	6352700-60	. . .	SEAL RETAINER UPPER - RIGHT							0030 - 0154	01
- 50	6352700-120	. . .	SEAL RETAINER UPPER - RIGHT							0155 - 0299	01

- ITEM NOT ILLUSTRATED

POWER PLANT COWLING
AIRPLANES 0001 THRU 0299

ITEM	PART NUMBER	NOMENCLATURE							EFFECTIVITY	UNITS PER ASSY	
		1	2	3	4	5	6	7			
- 75	6352700-55	. . .	STIFFENER UPPER - LEFT FOR SPARES ORDER (MUST REPLACE WITH): 6352700-95							0030 - 0059	NP
- 76	6352700-75	. . .	STIFFENER UPPER - LEFT FOR SPARES ORDER (MUST REPLACE WITH): 6352700-95							0060 - 0069	NP
- 77	6352700-85	. . .	STIFFENER UPPER - LEFT FOR SPARES ORDER (MUST REPLACE WITH): 6352700-95							0070 - 0094	NP
78	6352700-95	. . .	STIFFENER UPPER - LEFT SPARES REPLACEMENT FOR: 6352700-55 6352700-75 6352700-85							0095 - 0211	01

- ITEM NOT ILLUSTRATED

POWER PLANT COWLING
AIRPLANES 0001 THRU 0299

ITEM	PART NUMBER	NOMENCLATURE							EFFECTIVITY	UNITS PER ASSY
		1	2	3	4	5	6	7		
- 79	6352700-54	0030 - 0059	NP
- 80	6352700-76	0060 - 0069	NP
- 81	6352700-86	0070 - 0094	NP
- 82	6352700-96	0095 - 0211	01
- 83	6352200-21	0001 - 0299	02
84	S1188-5	0001 - 0299	02
85	6352200-26	0001 - 0299	01
86	6352200-27	0001 - 0299	01
87	MS20253P2-390	0001 - 0299	01
88	6352200-25	0001 - 0299	01
89	6352200-22	0001 - 0299	01
90	6352200-28	0001 - 0299	02
- 91	6352700-35	0001 - 0029	NP
- 92	6352700-47	0030 - 0059	NP
- 93	6352700-79	0060 - 0069	NP
- 94	6352700-89	0070 - 0094	NP
- 95	6352700-99	0095 - 0299	01
- 96	6352700-36	0001 - 0029	NP
- 97	6352700-48	0030 - 0059	NP
- 98	6352700-80	0060 - 0069	NP
- 99	6352700-90	0070 - 0094	NP
- 100	6352700-100	0095 - 0299	01
- 101	6352700-37	0001 - 0029	01
102	6352700-49	0030 - 0299	01
- 103	6352700-38	0001 - 0029	01
- 104	6352700-50	0030 - 0299	01
105	6352700-25	0001 - 0299	01
- 106	6352700-26	0001 - 0299	01
107	S3412-103	0001 - 0299	AR
108	S2319-63	0001 - 0299	AR
109	CM2791-2	0001 - 0299	AR
110	6352200-46	0001 - 0029	02
- 111	6352700-52	0030 - 0299	02
112	S1188-5	0001 - 0299	01
113	6352700-40	0001 - 0299	01
114	6352700-51	0001 - 0299	01

- ITEM NOT ILLUSTRATED

POWER PLANT COWLING
AIRPLANES 0001 THRU 0299

ITEM	PART NUMBER	NOMENCLATURE							EFFECTIVITY	UNITS PER ASSY	
		1	2	3	4	5	6	7			
115	6352700-53	ASSEMBLY - DOOR BOND	0001 - 0299	01
116	MS20253P2-300	HINGE PIN - LEFT & RIGHT	0001 - 0029	02
117	MS20253P2-200	HINGE PIN - LEFT & RIGHT	0030 - 0299	02
118	S1188-5	LATCH ASSEMBLY - LEFT & RIGHT	0001 - 0029	04
119	6352700-32	LATCH SHIM - LEFT & RIGHT	0001 - 0029	04
120	6352700-42	DOUBLER - LEFT & RIGHT	0030 - 0299	02
121	6352700-39	SHIM - UPPER HINGE LEFT & RIGHT	0030 - 0299	02
122	6352200-48	UPPER HINGE - LEFT & RIGHT	0001 - 0029	02
123	6352700-41	UPPER HINGE - LEFT & RIGHT	0030 - 0299	02
124	6352200-47	LOWER HINGE - LEFT & RIGHT	0001 - 0029	02
125	6352200-45	SHIM - LOWER HINGE LEFT & RIGHT	0001 - 0029	02
126	6490013-24	SPRING - LEFT & RIGHT	0001 - 0029	04

- ITEM NOT ILLUSTRATED

POWER PLANT COWLING
AIRPLANES 0001 THRU 0299

ITEM	PART NUMBER	NOMENCLATURE							EFFECTIVITY	UNITS PER ASSY	
		1	2	3	4	5	6	7			
-	150	6352700-65	STIFFENER LOWER - LEFT FOR SPARES ORDER (MUST REPLACE WITH): 6352700-97	0030 - 0059	NP
-	151	6352700-77	STIFFENER LOWER - LEFT FOR SPARES ORDER (MUST REPLACE WITH): 6352700-97	0060 - 0069	NP
-	152	6352700-87	STIFFENER LOWER - LEFT FOR SPARES ORDER (MUST REPLACE WITH): 6352700-97	0070 - 0094	NP
	153	6352700-97	STIFFENER LOWER - LEFT SPARES REPLACEMENT FOR: 6352700-65 6352700-77 6352700-87	0095 - 0299	01
-	154	6352700-64	STIFFENER LOWER - RIGHT FOR SPARES ORDER (MUST REPLACE WITH): 6352700-98	0030 - 0059	NP
-	155	6352700-78	STIFFENER LOWER - RIGHT FOR SPARES ORDER (MUST REPLACE WITH): 6352700-98	0060 - 0069	NP
-	156	6352700-88	STIFFENER LOWER - RIGHT FOR SPARES ORDER (MUST REPLACE WITH): 6352700-98	0070 - 0094	NP
-	157	6352700-98	STIFFENER LOWER - RIGHT SPARES REPLACEMENT FOR: 6352700-64 6352700-78 6352700-88	0095 - 0299	01
-	158	6352700-27	DOUBLER - LEFT	0001 - 0029	01
-	159	6352700-69	DOUBLER - LEFT	0030 - 0059	01
	160	6352700-73	DOUBLER - LEFT	0060 - 0299	01
-	161	6352700-28	DOUBLER - RIGHT	0001 - 0029	01
-	162	6352700-68	DOUBLER - RIGHT	0030 - 0059	01
-	163	6352700-74	DOUBLER - RIGHT	0060 - 0299	01
	164	6352501-5	DRAIN MAST ASSEMBLY - LEFT & RIGHT	0001 - 0299	02
-	165	S2941-1	SEAL 48.00 IN LG BULK ITEM - LEFT & RIGHT	0001 - 0299	02
	166	9074	DOOR ASSEMBLY - INSPECTION - LEFT & RIGHT	0001 - 0299	02
	167	6352200-30	SHIM - INSPECTION DOOR - LEFT & RIGHT	0001 - 0299	02
	168	6352700-15	SEAL RETAINER LOWER - LEFT	0001 - 0299	01
-	169	6352700-16	SEAL RETAINER LOWER - RIGHT	0001 - 0299	01
-	169A	6352700-31	SCUPPER - LEFT & RIGHT	0001 - 0299	02
	170	6352500-30	COWL BRACKET ASSEMBLY - LEFT & RIGHT * AIRPLANES 0001 THRU 0158 INCORPORATING SB525A-71-02	0212 - 0299 *0001 - 0158	04
	171	6352500-33	AFT BRACKET - LEFT * AIRPLANES 0001 THRU 0158 INCORPORATING SB525A-71-02	0212 - 0299 *0001 - 0158	01
-	172	6352500-32	AFT BRACKET - RIGHT * AIRPLANES 0001 THRU 0158 INCORPORATING SB525A-71-02	0212 - 0299 *0001 - 0158	01
	173	6352500-29	ENGINE SIDE BRACKET FORWARD - LEFT & RIGHT * AIRPLANES 0001 THRU 0158 INCORPORATING SB525A-71-02 ATTACHING PARTS	0212 - 0299 *0001 - 0158	02

- ITEM NOT ILLUSTRATED

POWER PLANT COWLING
AIRPLANES 0001 THRU 0299

ITEM	PART NUMBER	NOMENCLATURE							EFFECTIVITY	UNITS PER ASSY
		1	2	3	4	5	6	7		
174	AN3-3A	0212 - 0299 *0001 - 0158	02
175	NAS1149F0332P	V80205	0212 - 0299 *0001 - 0158	04
176	MS21046C3	0212 - 0299 *0001 - 0158	02
177	S3412-103	0212 - 0299 *0001 - 0158	04
177A	CM2791-2	0212 - 0299 *0001 - 0158	04
177B	S2319-63	0212 - 0299 *0001 - 0158	04
-	178	6352500-15	0001 - 0219	NP
-	179	6352500-25	0220 - 0299	01
-	180	6352500-16	0001 - 0219	NP
-	181	6352500-26	0220 - 0299	01
-	182	6352500-17	0001 - 0219	NP
183	6352500-27	0220 - 0299	01
-	184	6352500-18	0001 - 0219	NP
-	185	6352500-28	0220 - 0299	01
186	6352500-7	0001 - 0299	01
-	187	6352500-8	0001 - 0299	01
-	188	S2319-52	0001 - 0219	88
189	S2319-50	0220 - 0299	88
-	190	6352500-23	0001 - 0299	01
-	191	6352500-24	0001 - 0299	01
192	6352500-19	0001 - 0299	01
193	6352500-21	0001 - 0299	01
-	194	6352500-20	0001 - 0299	01
-	195	6352500-22	0001 - 0299	01
-	196	6352800-1	0001 - 0299	01
-	197	6352800-2	0001 - 0299	01
198	6352800-10	0001 - 0299	02
199	6352800-11	0001 - 0299	01
-	200	6352800-12	0001 - 0299	01
201	6352800-13	0001 - 0299	01
-	202	6352800-14	0001 - 0299	01
-	203	6352800-15	0001 - 0299	02
-	204	6352800-16	0001 - 0299	02

- ITEM NOT ILLUSTRATED

POWER PLANT COWLING
AIRPLANES 0001 THRU 0299

ITEM	PART NUMBER	NOMENCLATURE							EFFECTIVITY	UNITS PER ASSY
		1	2	3	4	5	6	7		
-	225	6352800-19	0001 - 0299	01
226	6352800-21	0001 - 0299	01
-	227	6352800-20	0001 - 0299	01
-	228	6352800-22	0001 - 0299	01
229	6352800-3	0001 - 0299	01

- ITEM NOT ILLUSTRATED

POWER PLANT COWLING
AIRPLANES 0001 THRU 0299

ITEM	PART NUMBER	NOMENCLATURE							EFFECTIVITY	UNITS PER ASSY
		1	2	3	4	5	6	7		
- 230	6352800-4	0001 - 0299	01
231	6352800-7	0001 - 0299	01
- 232	6352800-8	0001 - 0299	01
233	6352800-5	0001 - 0299	01
- 234	6352800-6	0001 - 0299	01
235	6352800-33	0001 - 0299	08
236	6352800-9	0001 - 0299	02
237	CM2791-2	0001 - 0299	60
238	S2319-63	0001 - 0299	60
239	S3412-103	0001 - 0299	44
- 240	S3412-104	0001 - 0299	16
- 241	S2941-2-24.00	0001 - 0299	02

- ITEM NOT ILLUSTRATED

Figure 01 : Sheet 01 : POWER PLANT COWLING

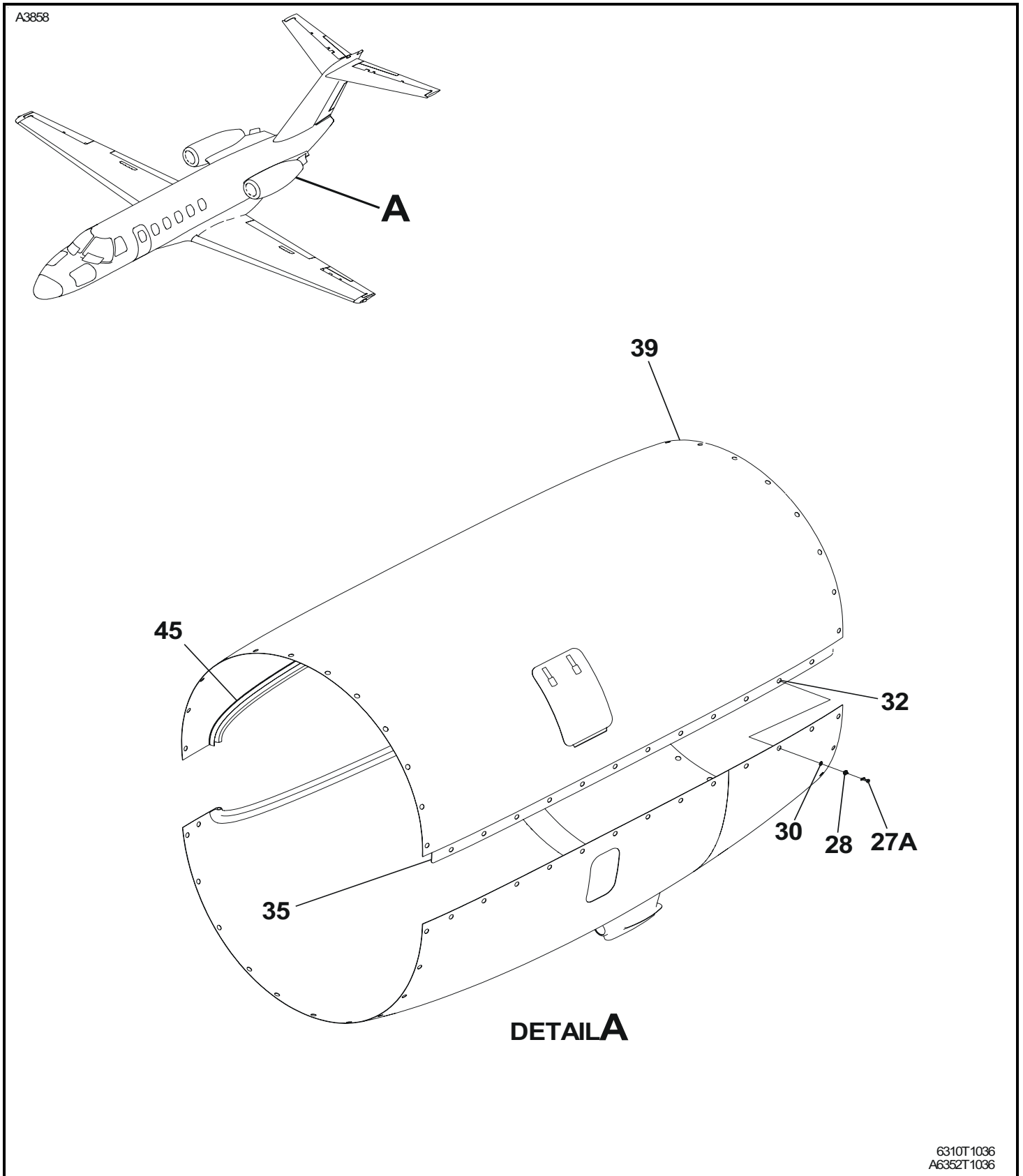


Figure 01 : Sheet 02 : POWER PLANT COWLING

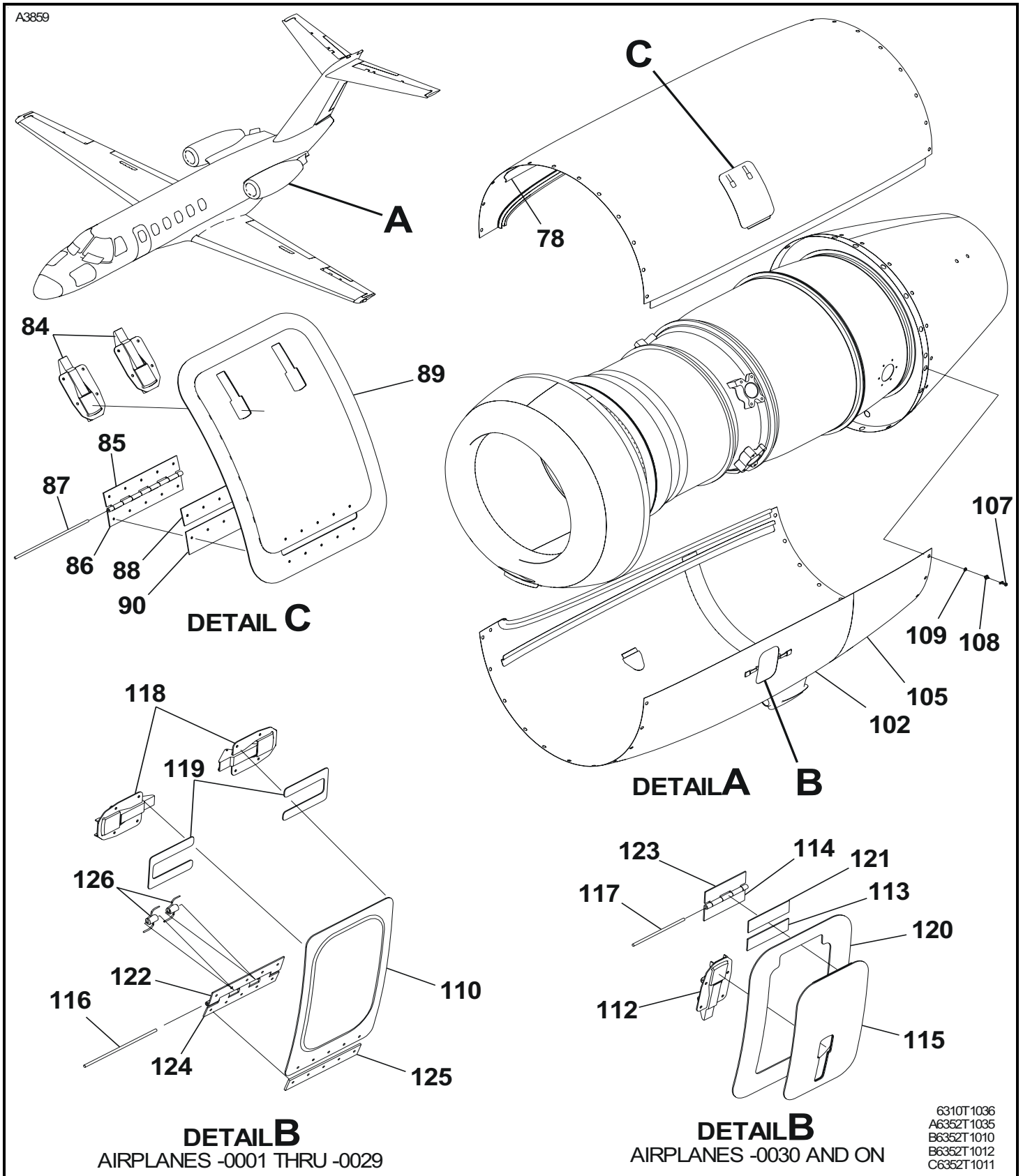
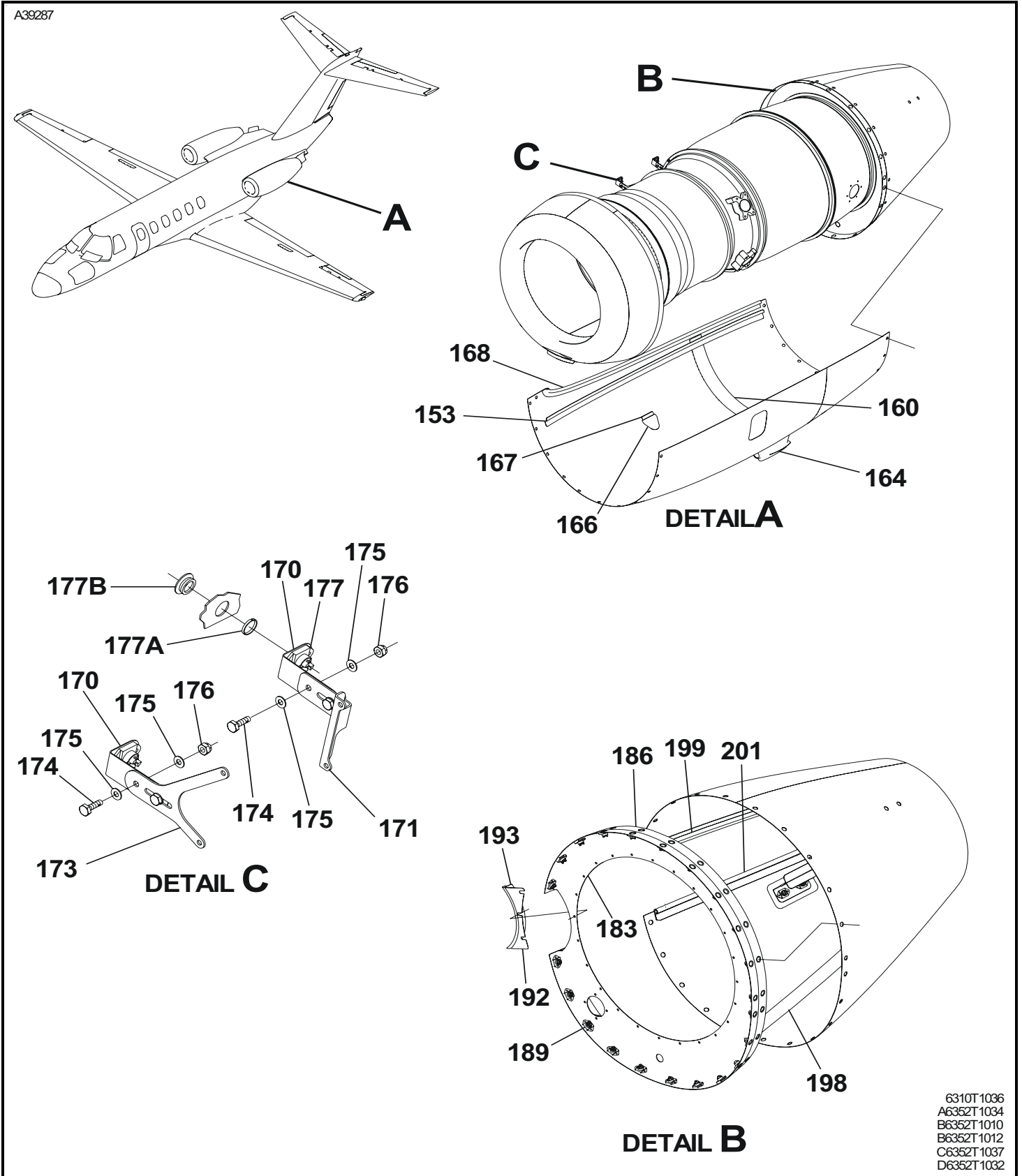


Figure 01 : Sheet 03 : POWER PLANT COWLING



6310T1036
A6352T1034
B6352T1010
B6352T1012
C6352T1037
D6352T1032

Figure 01 : Sheet 04 : POWER PLANT COWLING

