



**Highway Attachment -DMS Specifications for Dimensions of DMS Signs**

**Phoenix, Arizona**

**HWY21MH008**

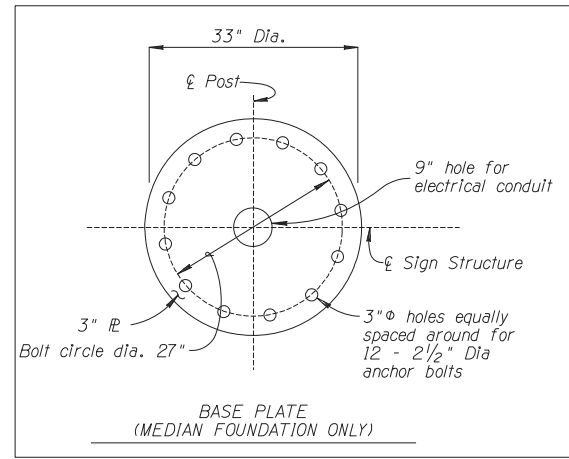
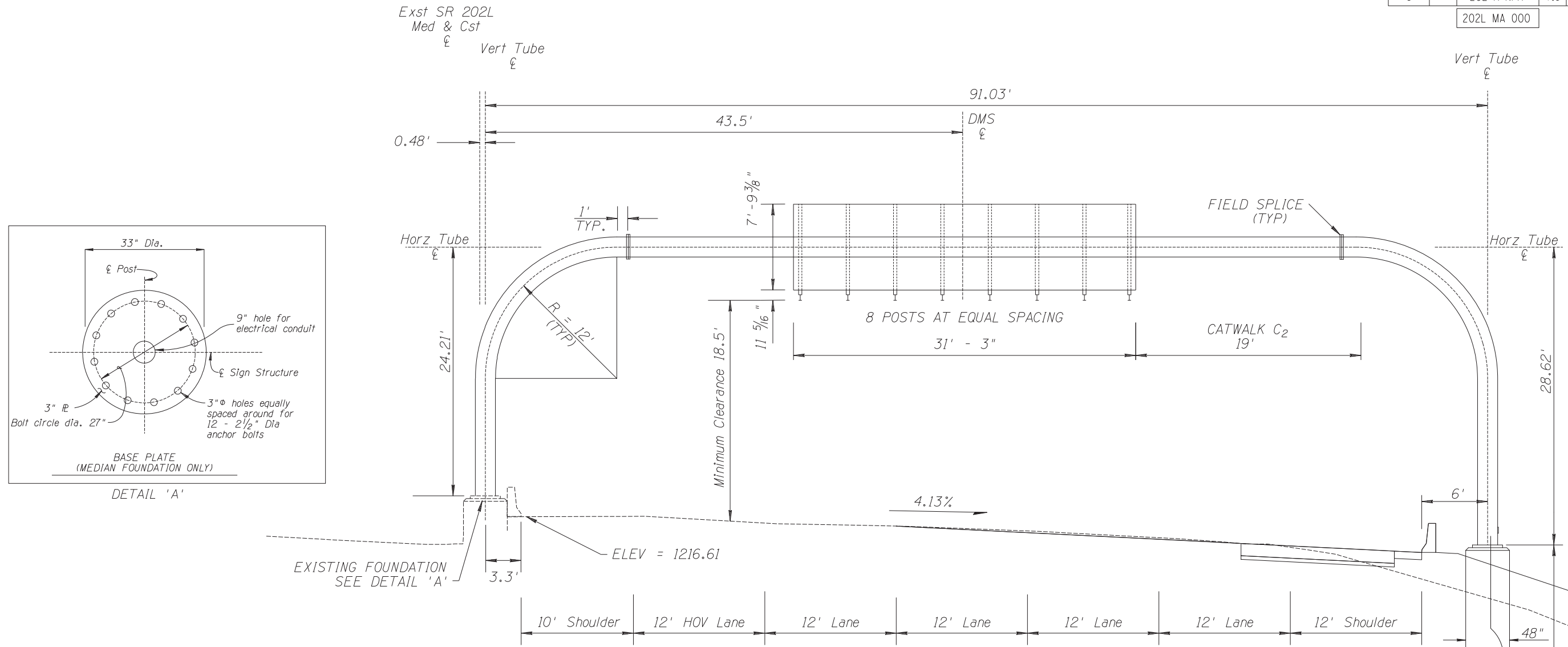
(3 pages)



"RECORD DRAWING, Record drawings are based on design changes and field observations. No field survey to verify actual conditions has been completed."

F.H.W.A. REGION	STATE	PROJECT NO.	SHEET NO.	TOTAL SHEETS	AS BUILT
9	ARIZ.	202-A-NFA	715	2134	03/06/12

202L MA 000




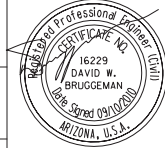
EXISTING FOUNDATION  
SEE DETAIL 'A'

**NOTES:**

- See Structure Detail Drawings SD 9.52 (Frame Type 3F) for Tubular Frame, Splices, Base Plate And Foundation Details.
- Elevations Shall Be Field Verified By The Contractor.
- Contractor Shall Measure and Verify Lengths and Elevations and Submit This Information to the Engineer for Approval with Shop Drawings.
- All Views Approaching DMS.
- A 25' Coil Of No. 4 Awg Bare Copper Conductor Shall Be Installed At Bottom Of Foundation Hole Before Concrete Is Poured, And Connected To Pole Grounding Screw In Hand Hole.
- Sign Structure Fabricator Shall Field Verify Size, Spacing, And Orientation Of Existing Anchor Bolts Prior To Fabrication.

DMS NO.: 51	MIN. VERTICAL CLEARANCE, H <sub>3</sub> : 18' - 6"
ROUTE: LOOP 202	TOP OF BASE PLATE, ELEV. A: 1218.12
MILE POST: 4.1	TOP OF BASE PLATE, ELEV. B: 1213.71
STATION: 52+51	POST OFFSET, X <sub>1</sub> : 0.48'
FRAME SPAN, L <sub>1</sub> : 91.03'	POST OFFSET, X <sub>2</sub> : 91.49'
HEIGHT, H <sub>1</sub> : 24.21'	DMS OFFSET, X <sub>3</sub> : 43.5'
HEIGHT, H <sub>2</sub> : 28.62'	CATWALK LENGTH, C <sub>1</sub> : 0'
	CATWALK LENGTH, C <sub>2</sub> : 19'

DMS SIGN STRUCTURE ELEVATION  
LOOP 202 EASTBOUND  
Cst & Sta 52+51

REV	DATE	DESCRIPTION	BY	NAME	DATE	ARIZONA DEPARTMENT OF TRANSPORTATION INTERMODAL TRANSPORTATION DIVISION
1	08/27/09	RFC	JJP	JJP	01/09	
2	12/05/09	FDC - 281	JJP	JJP	01/09	FREeway MANAGEMENT SYSTEM DMS ELEVATION DMS-51 / STA 52+51
						
ROUTE: SR 202L      LOCATION: I-10/SR 51 TI TO SR 202L						
TRACS NO. H6871 01C			202-A-NFA		720 OF 2148	