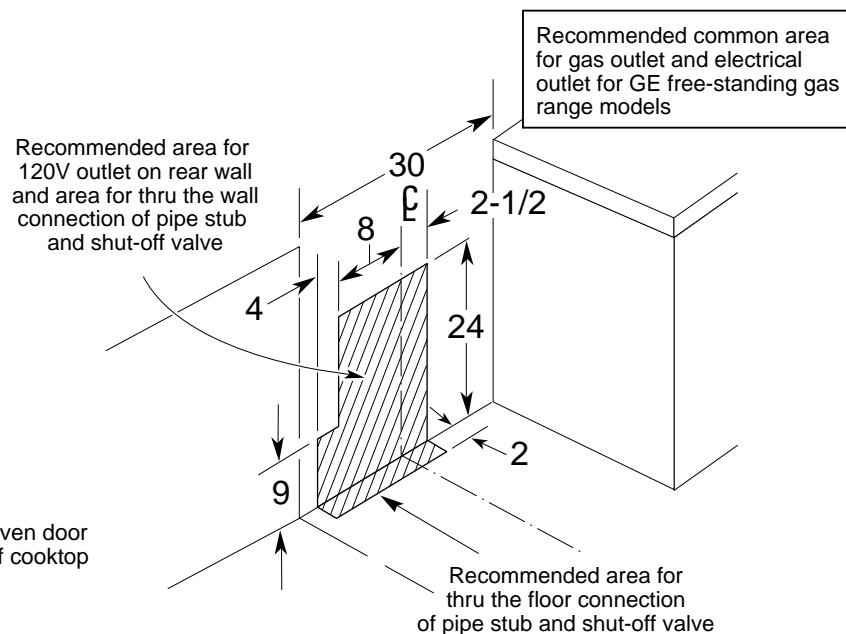
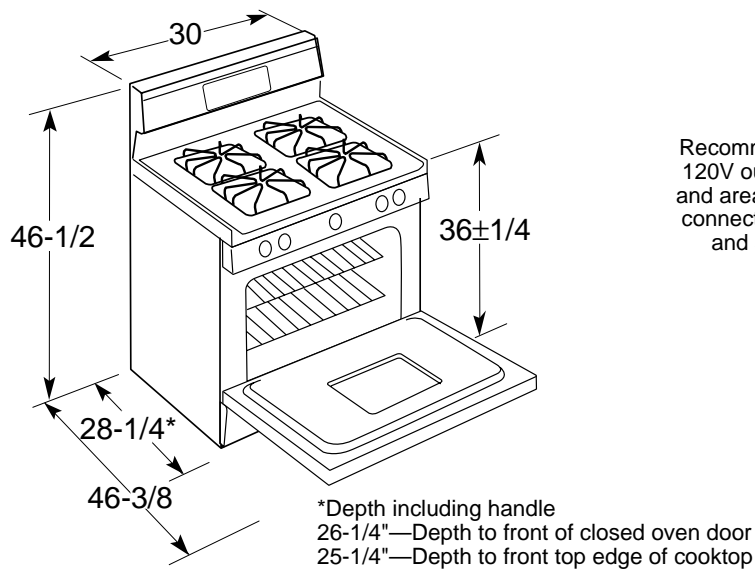




GE Appliances

## JGBP35CEACC—GE Spectra™ 30" Free-Standing XL44™ Gas Range

### Dimensions (in inches) and Installation Information



**Optional Gas Range Accessory Drip Pans for Sealed and Standard Burner Models**  
(Available at additional cost)  
To order these accessory drip pans, call toll-free 800-848-7722

**Optional Gas Range Wok Accessory**  
(Available at additional cost)  
JXWK—Wok accessory sits on top of burner grate to hold a **round-bottom** wok.

**Electrical Rating:** 120V, 60Hz, 5A

**Installation Information:** Before installing, consult installation instructions packed with product for current dimensional data.

For answers to your Monogram®, GE Profile™ or GE appliance questions, visit our website at [GEAppliances.com](http://GEAppliances.com) or call GE Answer Center® service, 800.626.2000.



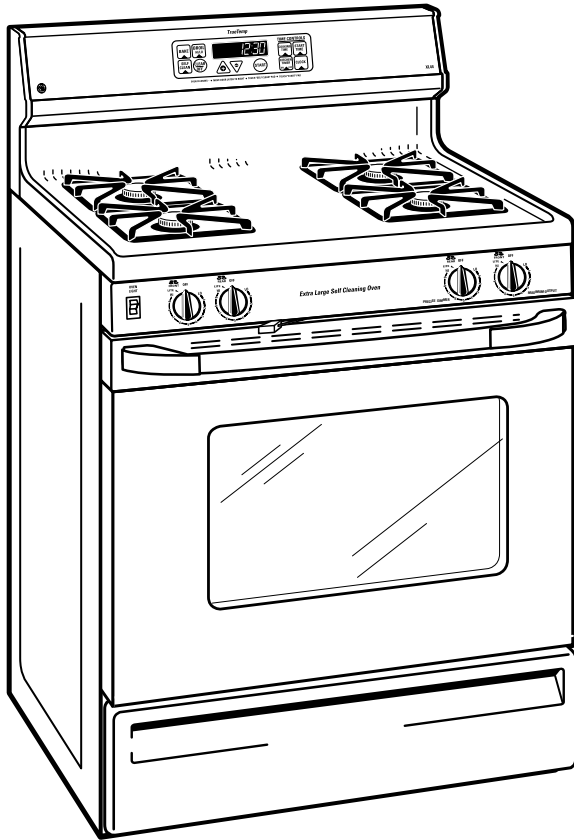
All GE ranges are equipped with an Anti-Tip device. The installation of this device is an important, required step in the installation of the range.





**GE Appliances**

## **JGBP35CEACC—GE Spectra™ 30" Free-Standing XL44™ Gas Range**



### **Features and Benefits**

- Extra-Large 4.4 cu. ft. Capacity Self-Cleaning Oven
- One-Piece Upswept Porcelain-Enameled Cooktop
- Sealed Cooktop Burners
- (1) 12,000/1,000 BTU Maximum Output Burner
- (1) 5,000/600 BTU Simmer Burner
- (2) 9,500/850 BTU All-Purpose Sealed Burners
- TrueTemp™ System
- SmartLogic™ Electronic Controls
- QuickSet IV Oven Controls
- Medium Cast Removable Square Grates
- Porcelain-Enameled One-Piece Drip Pans
- Electronic Pilotless Ignition System
- Electronic Clock and Timer
- In-Oven Broiling with Extra-Large Broiler Pan with Grid
- 2 Oven Racks / 6 Embossed Rack Positions
- Removable Frameless Glass Oven Door with Big View Window
- Designer-Style Handle
- Porcelain-Enameled Scratch-Resistant Backguard
- Easy Glide Storage Drawer
- Model JGBP35WEAWW—White on White
- Model JGBP35BEABB—Black on Black
- Model JGBP35AEAAA—Almond on Almond
- Model JGBP35CEACC—Bisque