

Note: Inlet and Outlet to relief valve are 1 inch NPT

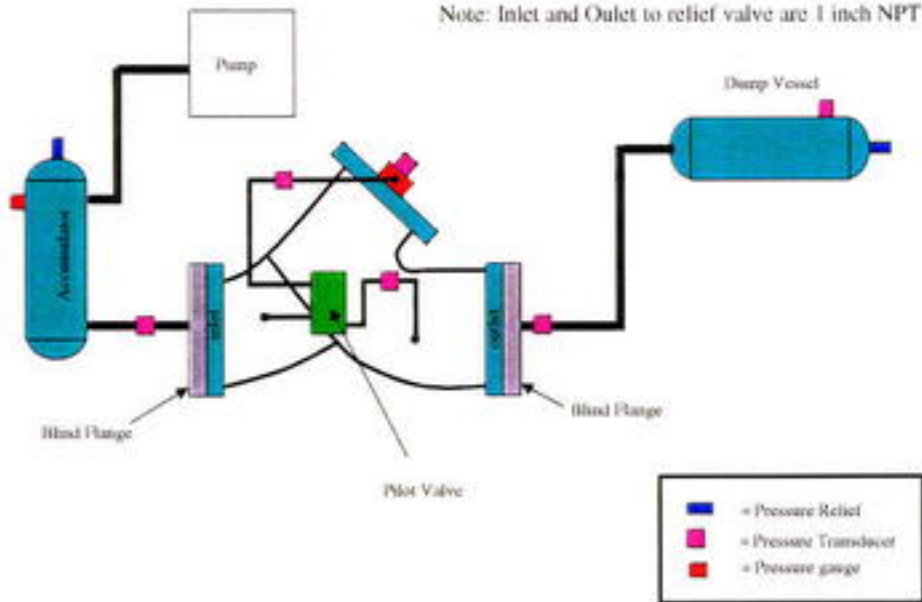


Figure 2.12 Original Schematic of Test Set-up