

Recalled

# Car Damage Report

Car Number TILX 199335

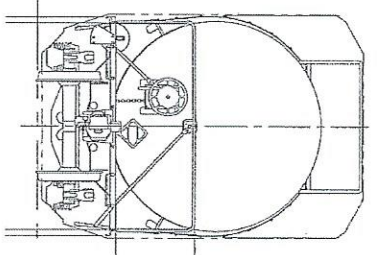
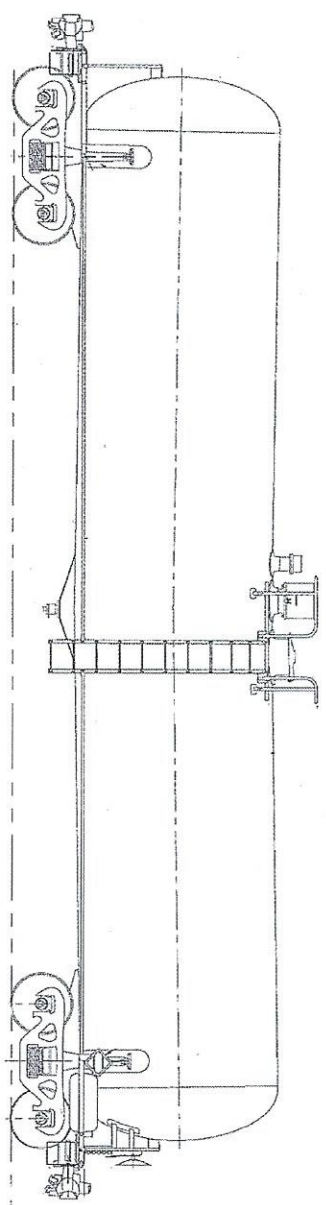
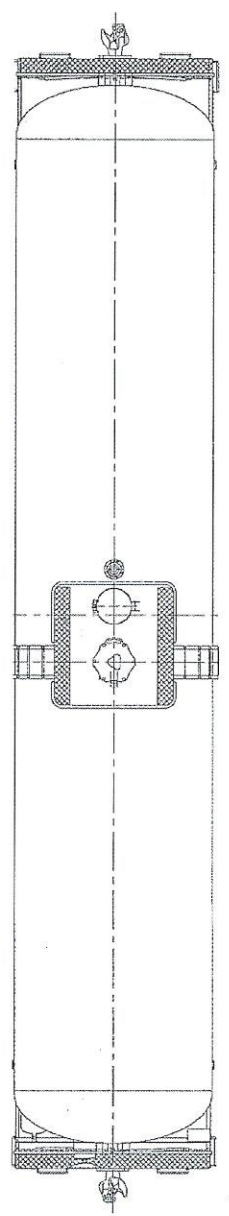
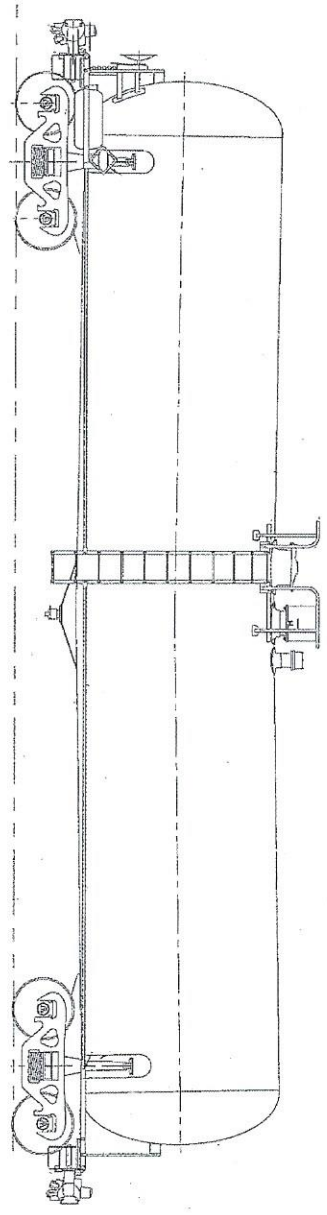
Wreck index Number \_\_\_\_\_

Consist 82/17

3-12-15  
DGT-004  
Rev 3

Date of Derailment 4-24-19

Location Et Worth TX



Builder TRN

Built Date 5-1-2007

DOT 1176100W

File# \_\_\_\_\_

Loss of Commodity Yes / (No)

Top fittings MW

Bottom Outlet Leg Sok

Shell Tear Thermal

Draft Sill A B

Head Shield A B

Skid Condition \_\_\_\_\_

MH \_\_\_\_\_

Handle DH \_\_\_\_\_

Mech \_\_\_\_\_

B \_\_\_\_\_

Lead -

Trucks off of Rail  
Did not inspect

No Photos

Retrieved

# Car Damage Report

Car Number TILX 199D40

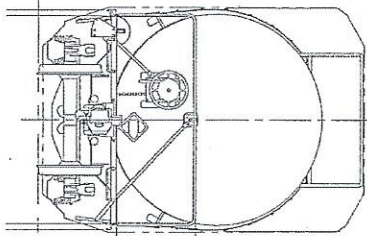
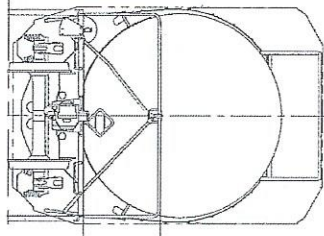
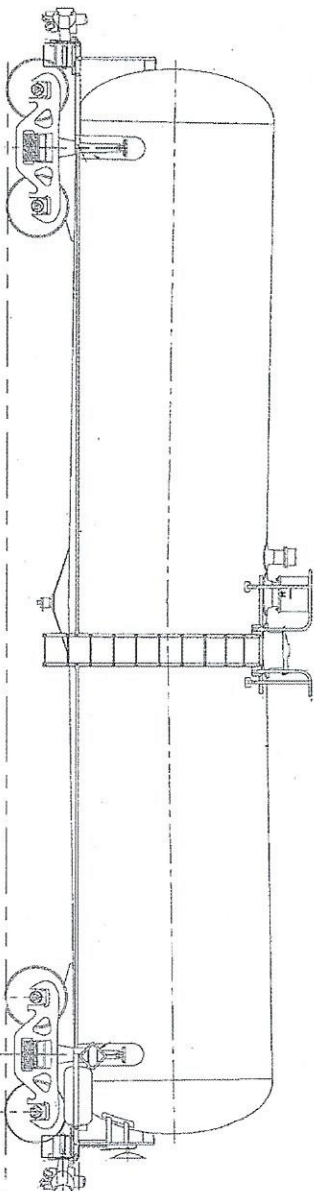
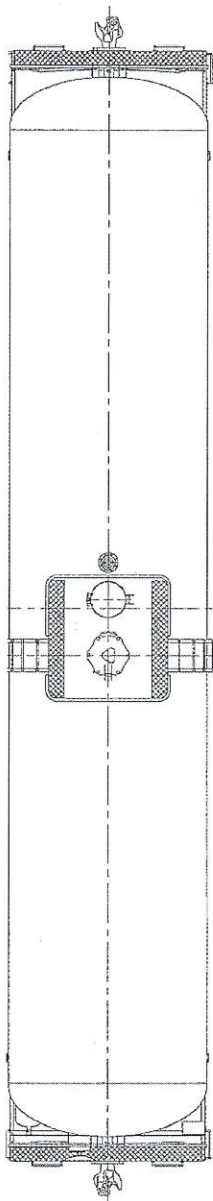
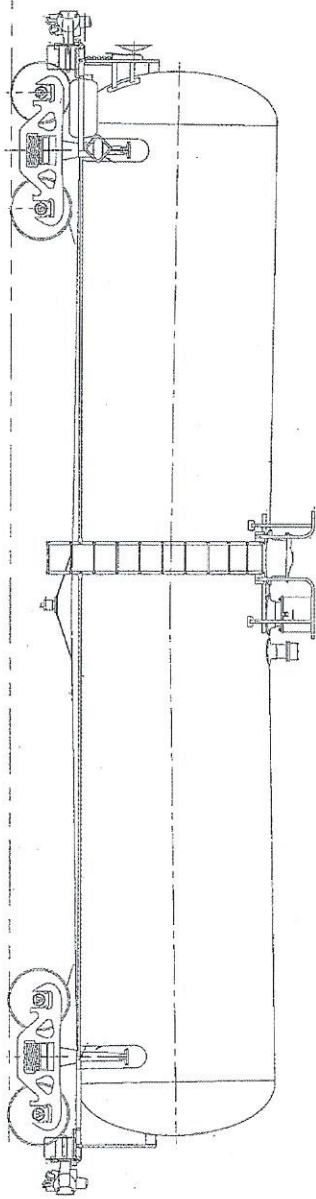
Wreck index Number \_\_\_\_\_

Consist 81/18

3-12-15  
DGT -004  
Rev 3

Date of Derailment 4-24-19

Location Ft Worth TX



Builder TRNI

Built Date 5-1-2007

DOT 117RID000

File# \_\_\_\_\_

Loss of Commodity Yes  No

Lead

Trucks off of Rail

Did not inspect

Top fittings MW

MH

Bottom Outlet Leg S ok

Handle DH

Shell Tear Thermal

Mech

Draft Sill A \_\_\_\_\_

B

Head Shield A \_\_\_\_\_

B

Skid Condition \_\_\_\_\_

No Photos

# Car Damage Report

Car Number TILX 191488

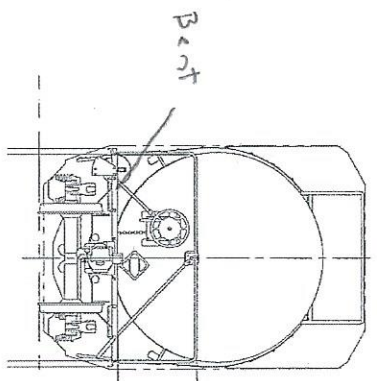
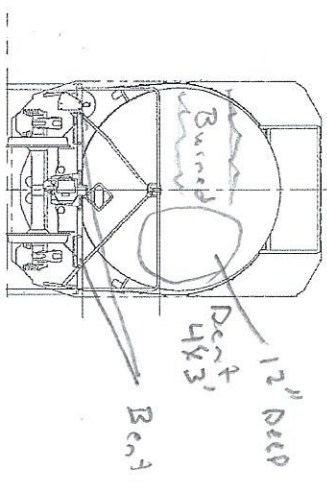
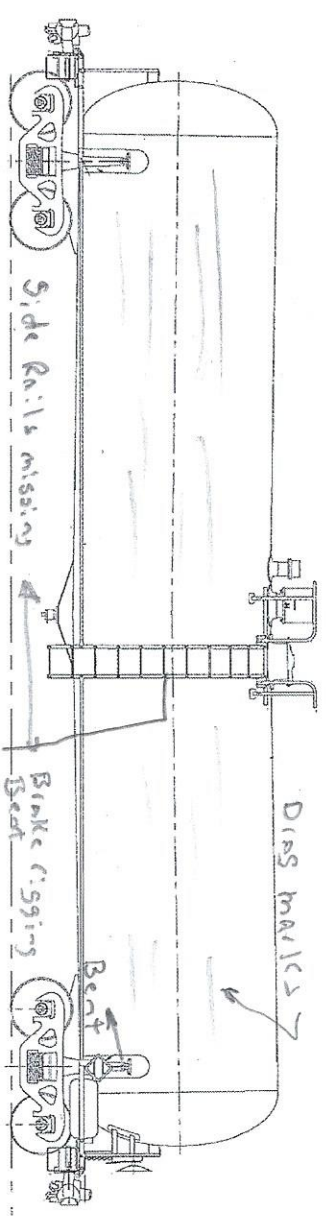
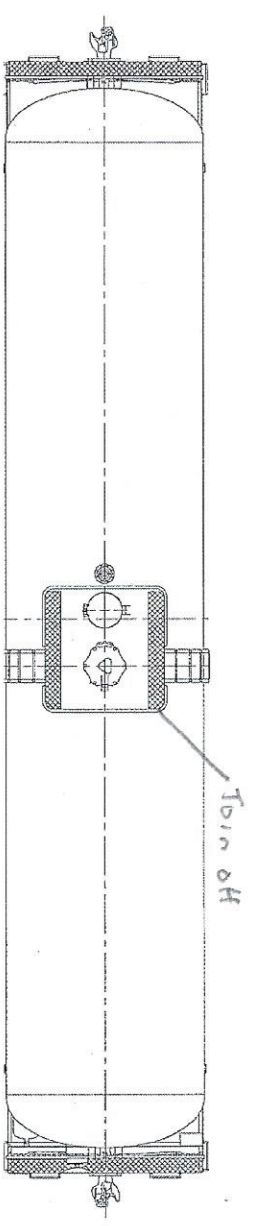
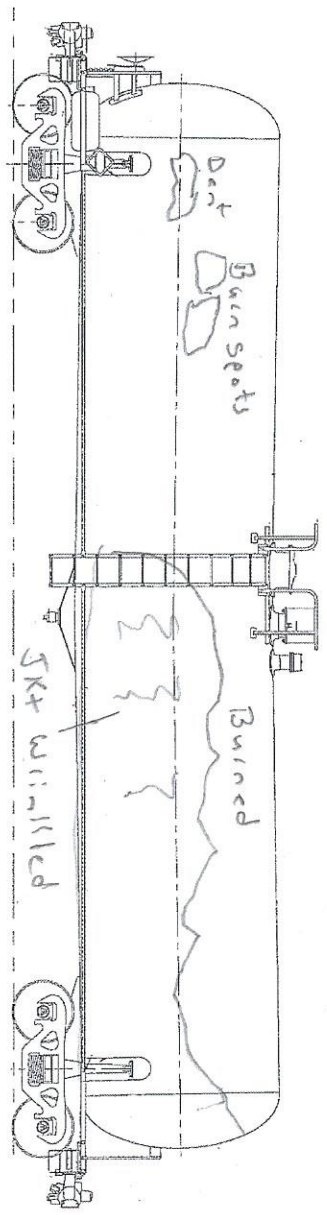
Wreck index Number 1

Consist 80/19

3-12-15  
DGT-004  
Rev 3

Date of Derailment 4-24-19

Location E + Worth TX



Builder TRN  
 Built Date \_\_\_\_\_  
 DOT 117R105W  
 File# \_\_\_\_\_  
 Loss of Commodity Yes/No

Top fittings MW OK MH Bent RED OK  
 Bottom Outlet Leg S OK Handle DH Salco OK  
 Shell Tear Thermal No Mech No  
 Draft Sill A OK B Bent  
 Head Shield A Dent B OK  
 Skid Condition OK

PRD didn't function

# Car Damage Report

Car Number TILX 198946

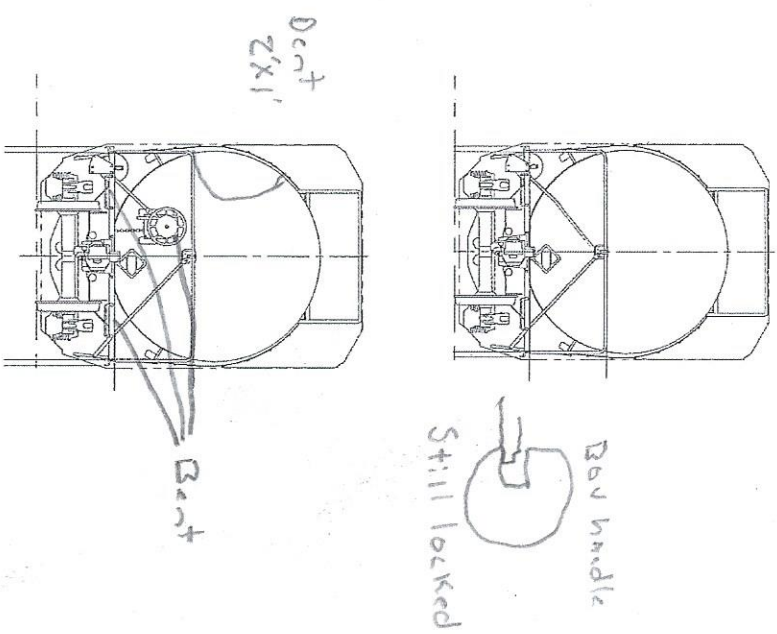
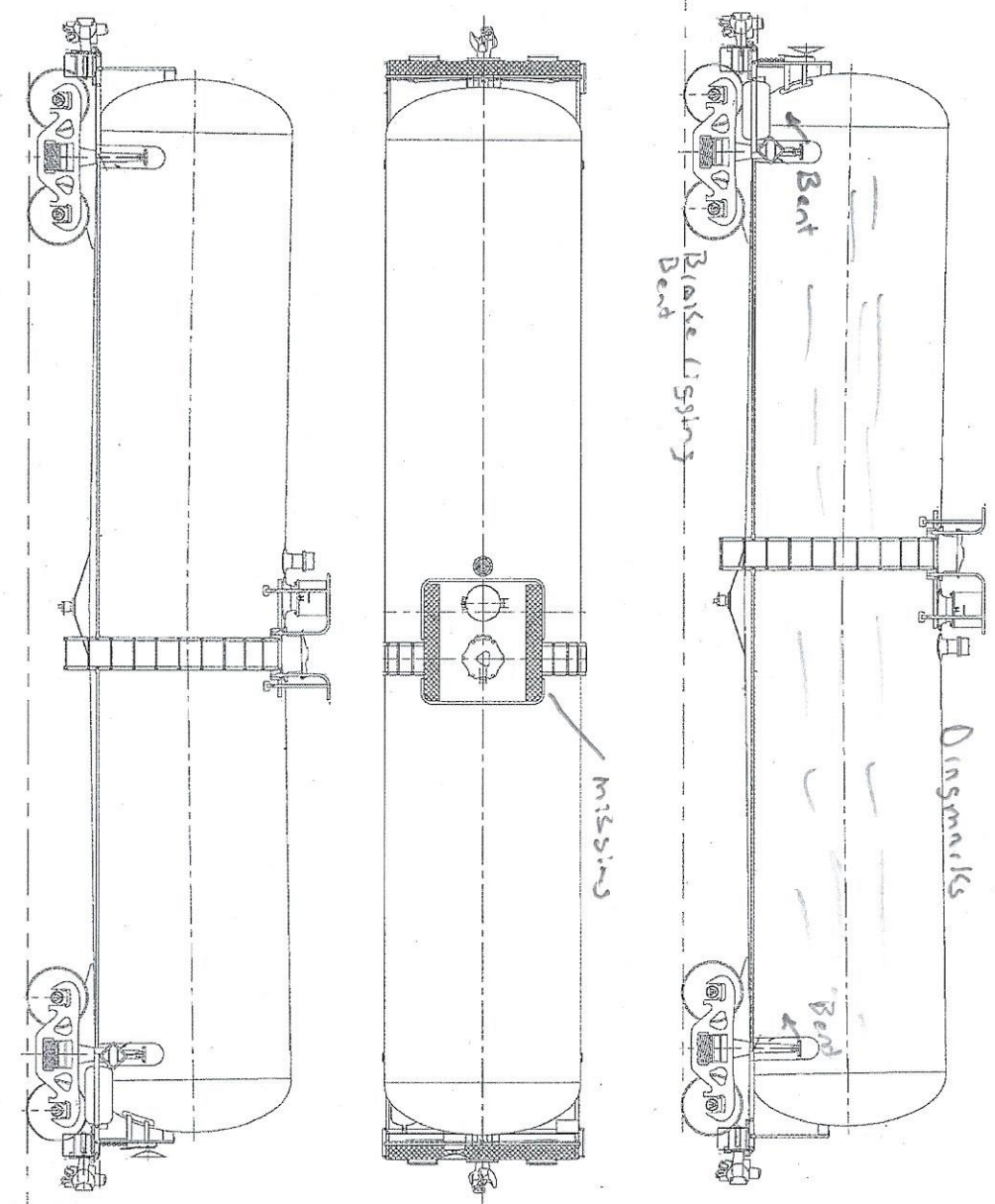
Wreck index Number 3

Consist 79/20

3-12-15  
DGT-004  
Rev 3

Date of Derailment 4-24-19

Location FT Worth TX



Builder TRN  
 Built Date 1-08  
 DOT 117 R 1000  
 File# \_\_\_\_\_  
 Loss of Commodity Yes/No

Top fittings MW OK MH OK  
 Bottom Outlet Leg S OK Handle DH Salsco Bent \*  
 Shell Tear Thermal No Mech No  
 Draft Sill A OK B Bent  
 Head Shield A OK B OK  
 Skid Condition OK

# Car Damage Report

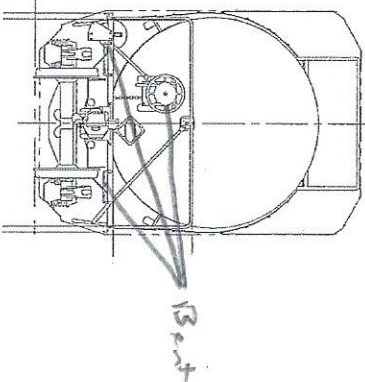
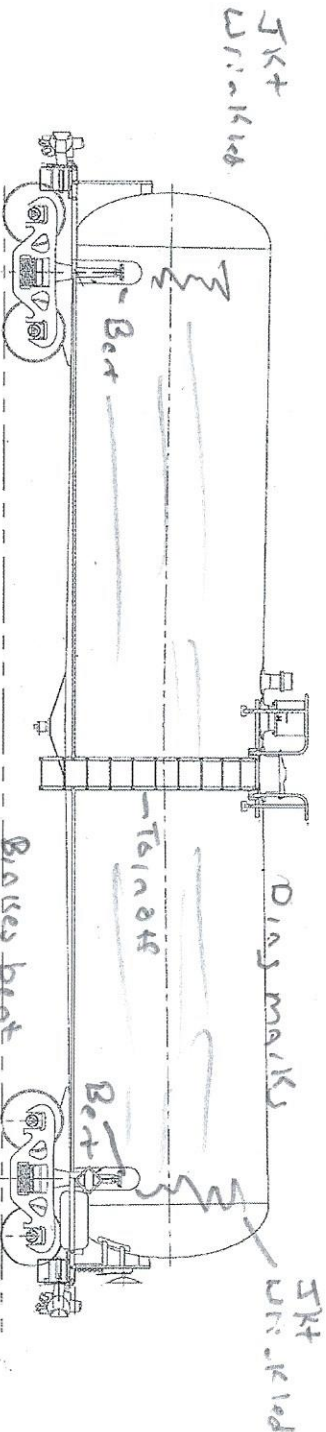
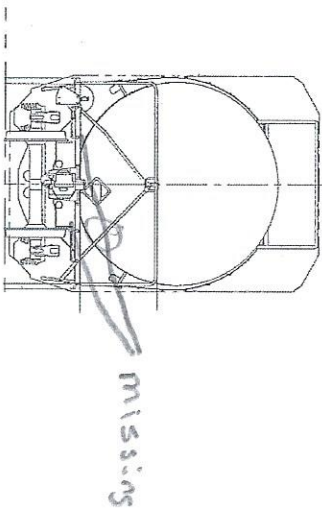
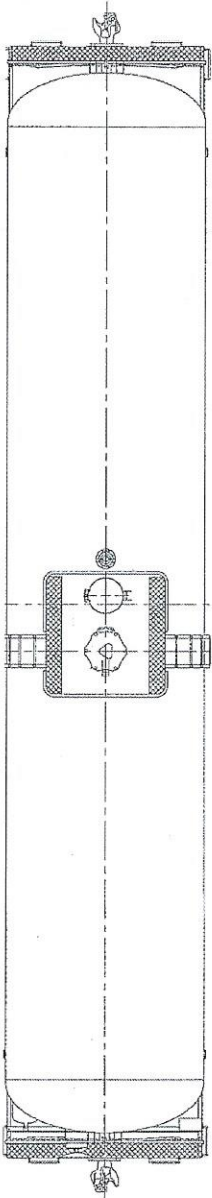
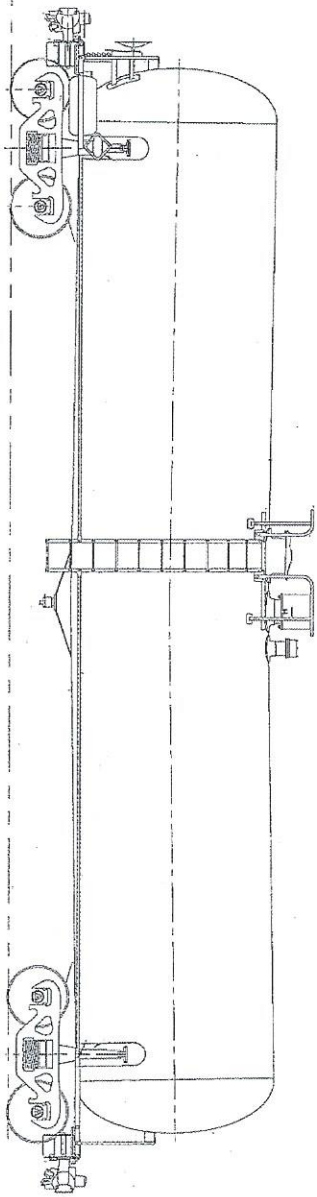
Car Number TILX 194329

Wreck index Number 5 Consist 78/21

3-12-15  
DGT-004  
Rev 3

Date of Derailment \_\_\_\_\_

Location \_\_\_\_\_



Builder TRN  
Built Date 11-07  
DOT 117R100W  
File# \_\_\_\_\_  
Loss of Commodity Yes / (No)

Top fittings MW OK MH OK Bent lid SAICD  
Bottom Outlet Leg S OK Handle DH TAIN OK  
Shell Tear Thermal No Mech NO  
Draft Sill A Bent B OK  
Head Shield A OK B OK  
Skid Condition DK

# Car Damage Report

Car Number TLX 351873

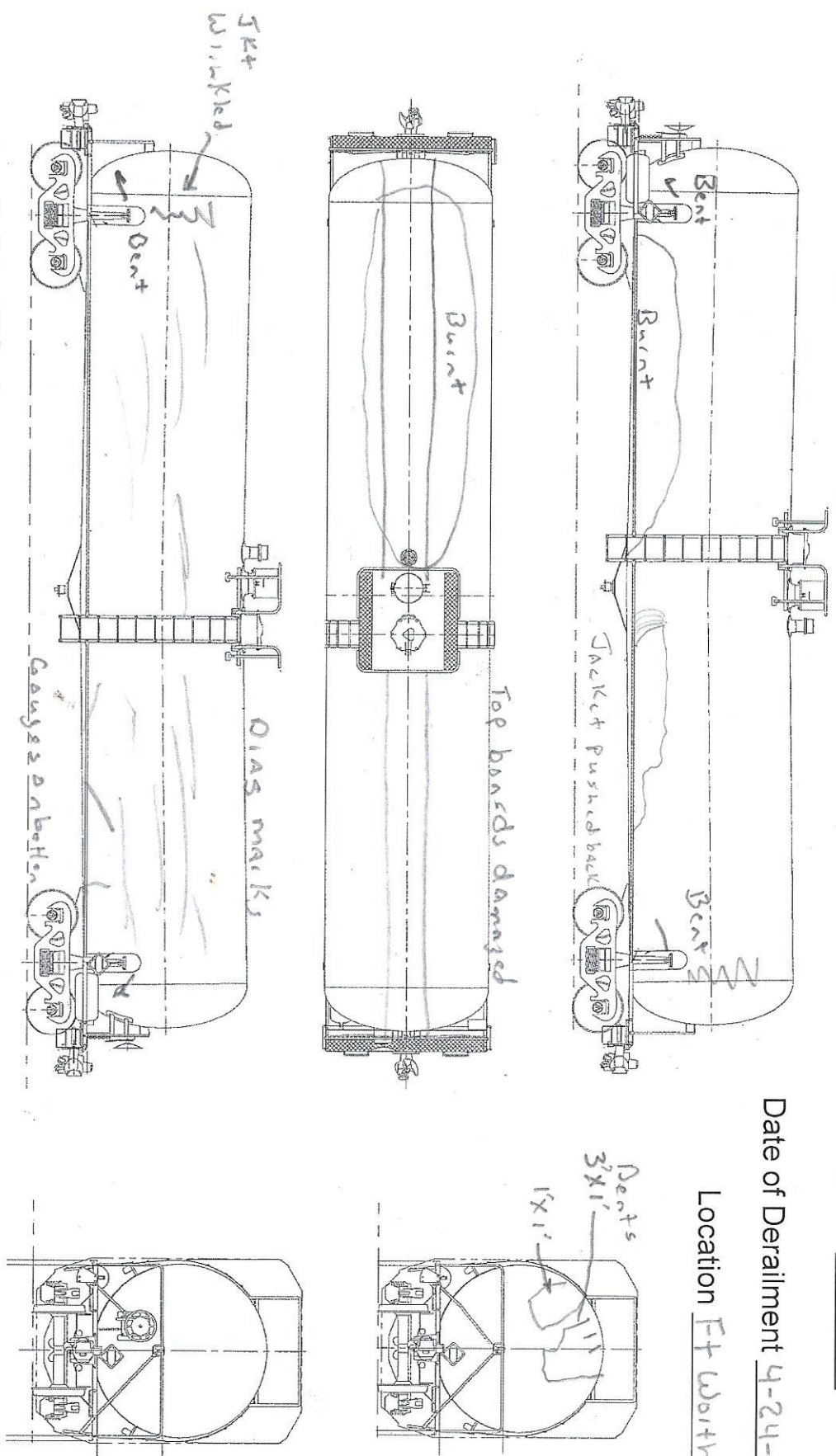
Wreck index Number 7

Consist 77122

Date of Derailment 4-24-19

Location Ft Worth TX

3-12-15  
DGT-004  
Rev 3



Builder TRN  
Built Date \_\_\_\_\_  
DOT 117R150W  
File# \_\_\_\_\_  
Loss of Commodity Yes / No ? Leak  
31808

Top fittings MW OK MH OK  
Bottom Outlet Leg So OK Handle DH OK  
Shell Tear Thermal No. Mech No. \_\_\_\_\_  
Draft Sill A Bent B OK  
Head Shield A Dent B OK  
Skid Condition OK  
Sill Crushed

\* inspect bottom  
After unloaded

Int 2900LV 11-2013  
No leaks

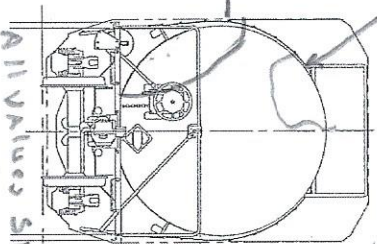
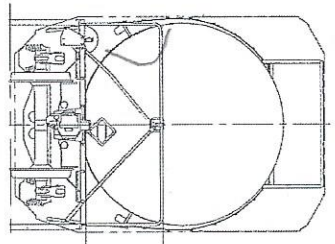
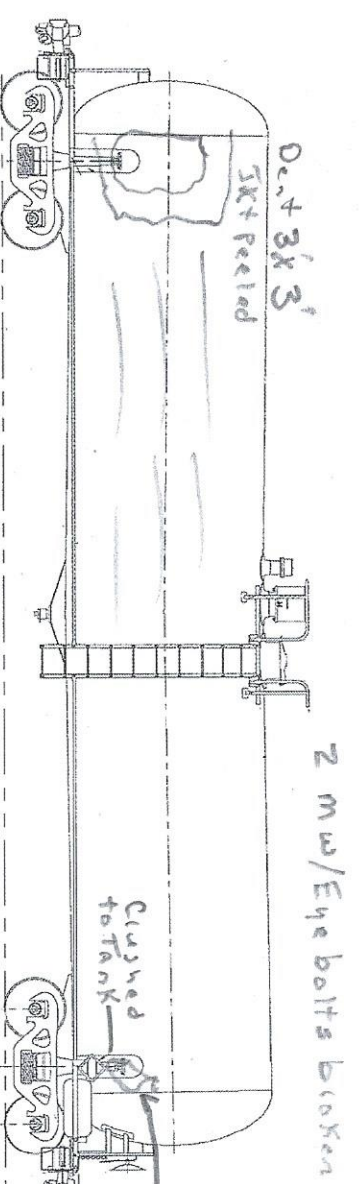
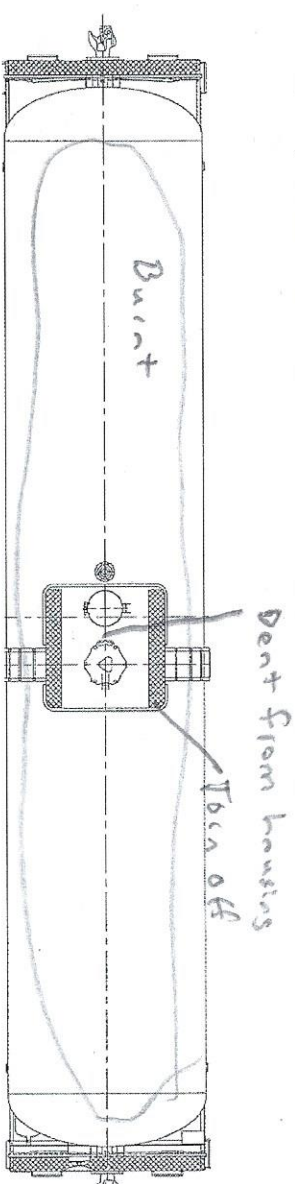
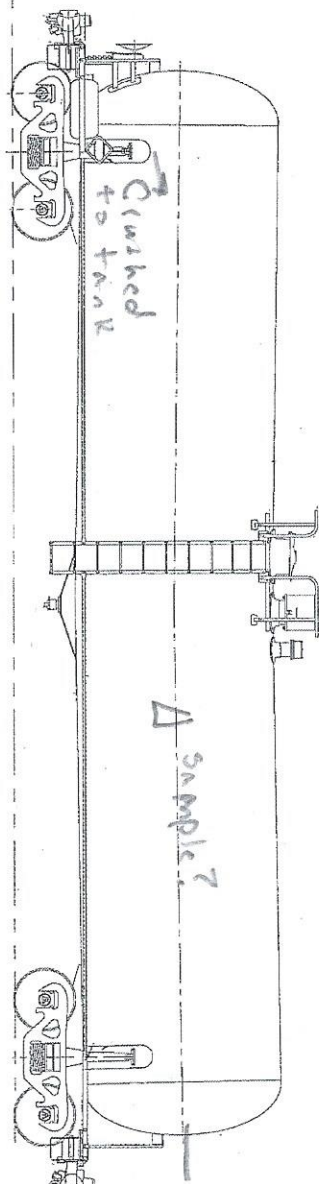
# Car Damage Report

Car Number UTLX209403

Wreck index Number 2 Consist 76/23

Date of Derailment 4-24-19

3-12-15  
DGT-004  
Rev 3



Builder UTC  
 Built Date 10-2087 mod G-16  
 DOT 117R100w  
 File# \_\_\_\_\_  
 Loss of Commodity Yes / No

Top fittings MW OK MH Sheared off  
 Bottom Outlet Leg OK Handle DH Torn off  
 Shell Tear Thermal No Mech Yes  
 Draft Sill A OK B OK  
 Head Shield A OK B Dent  
 Skid Condition OK

1489 Gals Recovered

\* Hold NTSB BL Body balster Couper

# Car Damage Report

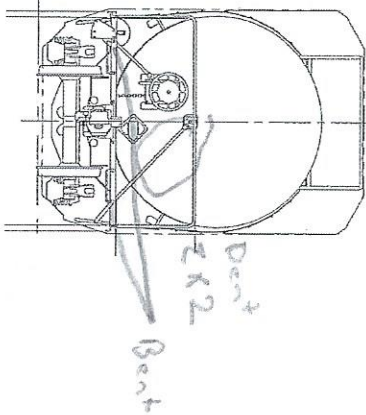
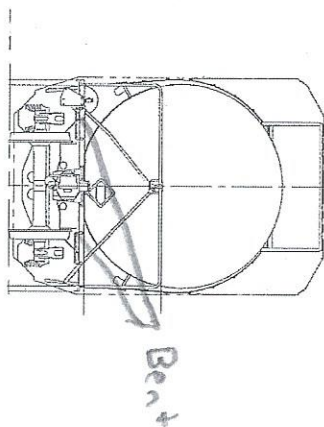
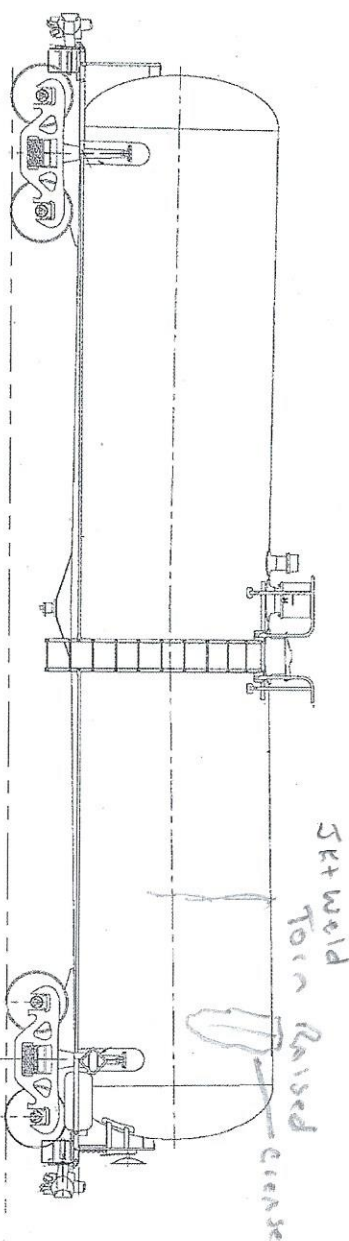
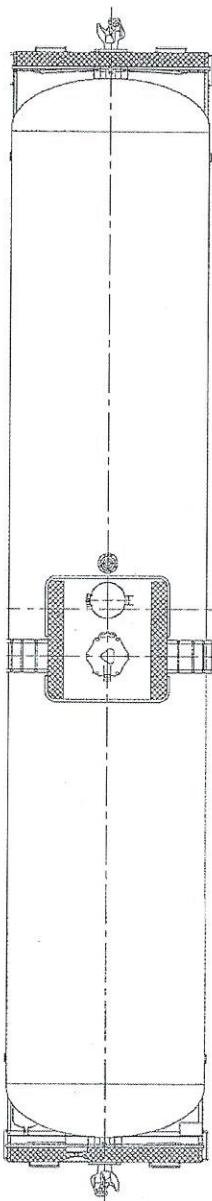
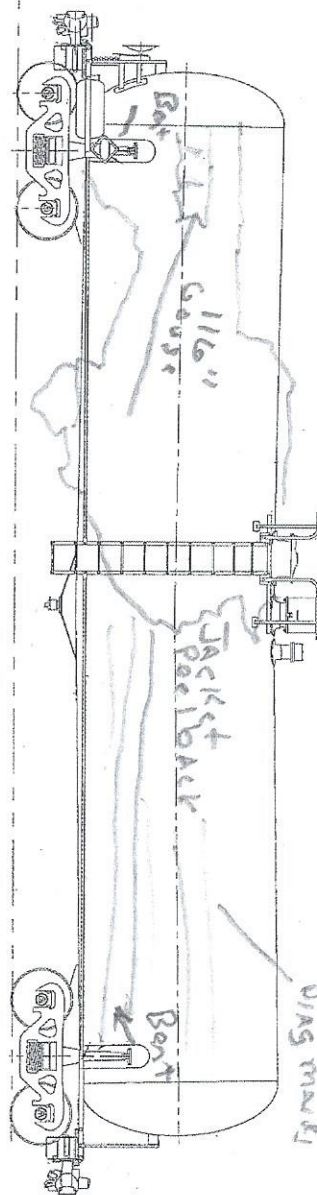
Car Number TLX 363368

Wreck index Number 4 Consist 75/29

3-12-15  
DGT-004  
Rev 3

Date of Derailment 4-24-19

Location Ft Worth TX



Builder TRN  
Built Date 7-19  
DOT 11751022  
File# \_\_\_\_\_  
Loss of Commodity Yes / No

Top fittings MW OK MH OK  
Bottom Outlet Leg SOK Handle DH torn off  
Shell Tear Thermal No \_\_\_\_\_ Mech No \_\_\_\_\_  
Draft Sill A Bent B Bent  
Head Shield A OK B Bent  
Skid Condition OK  
ARR ST-470



# Car Damage Report

Car Number TCBX 194145

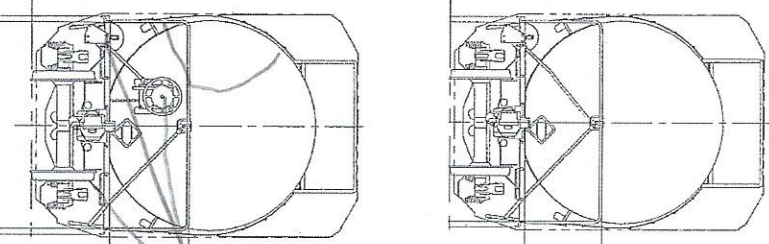
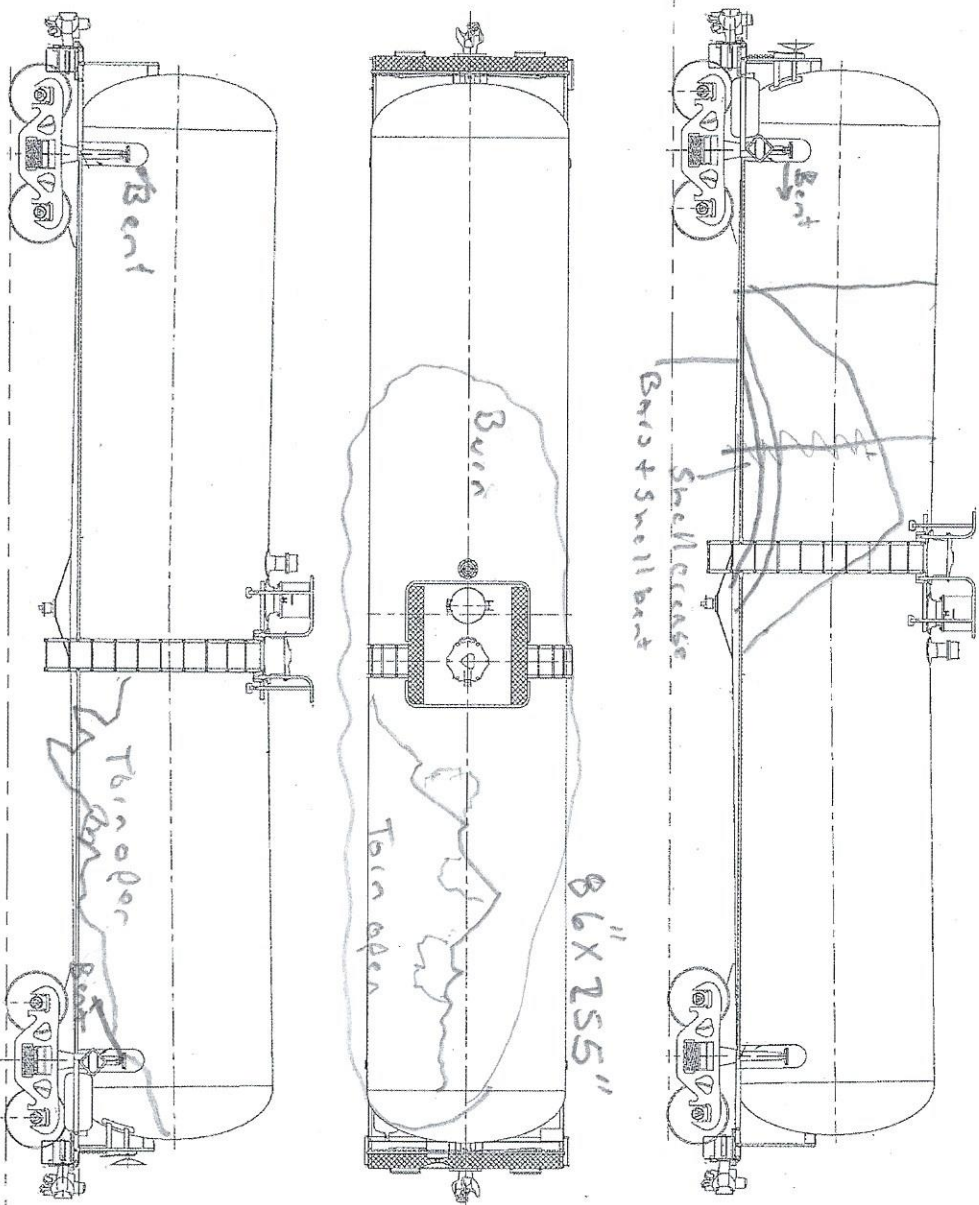
Wreck index Number 6

Consist 74/25

3-12-15  
DGT-004  
Rev 3

Date of Derailment 4-24-19

Location Ft Worth TX



Builder TRN  
 Built Date \_\_\_\_\_  
 DOT 111A10001  
 File# \_\_\_\_\_  
 Loss of Commodity Yes / No

Major / Full loss

Top fittings MW OK MH OK PRD - Did not function  
 \*Bottom Outlet Leg OK open Handle DH - No long Trn handle  
 Shell Tear Thermal No Mech Yes MAJOR  
 Draft Sill A Bent Left side B Bent C OK Torn out right side  
 Head Shield A None B None  
 Skid Condition Torn from bolts dented on center side

# Car Damage Report

Car Number GATX 225797

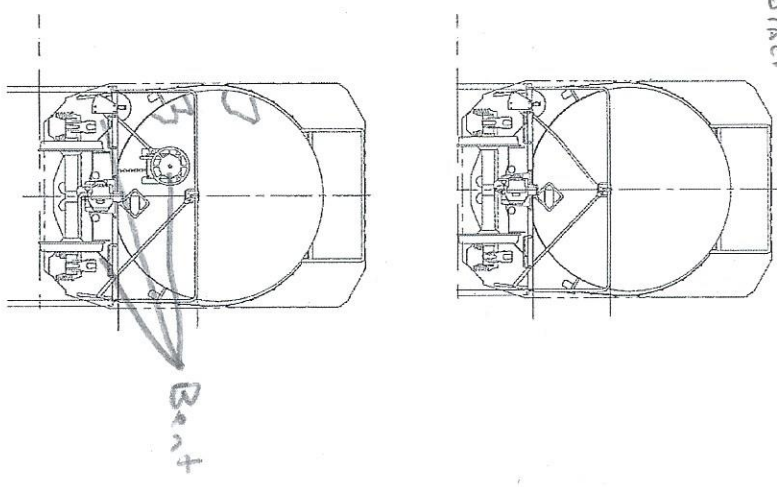
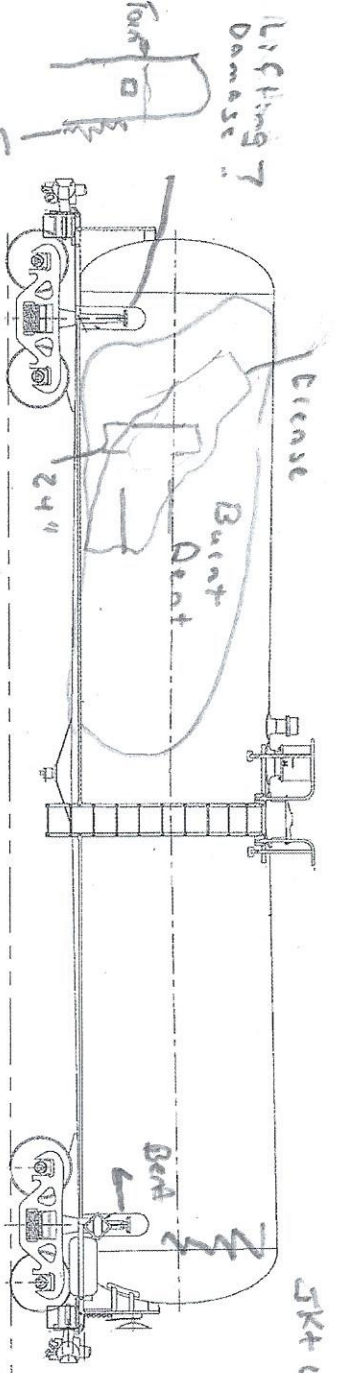
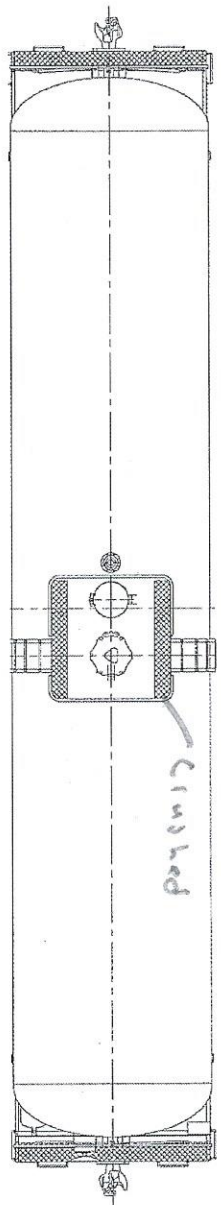
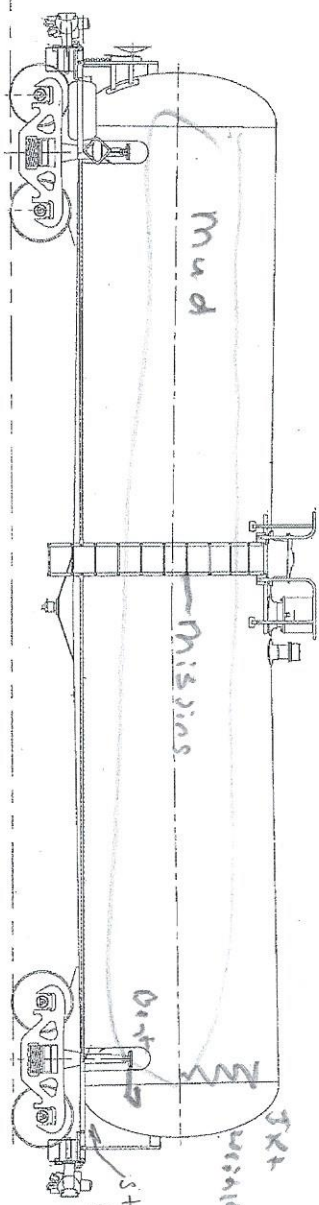
Wreck index Number 8

Consist 73/210

Date of Derailment 4-24-19

Location FT Worth TX

3-12-15  
DGT-004  
Rev 3



Builder TRX  
 Built Date 11-2018  
 DOT 117J100W  
 File# \_\_\_\_\_  
 Loss of Commodity Yes / No

Top fittings MW DK MH OK  
 Bottom Outlet Leg SOK Handle DH Bent  
 Shell Tear Thermal No Mech No  
 Draft Sill A Thermal HB B DK  
 Head Shield A OK B OK  
 Skid Condition OK

\* Remove head + Tacket  
 for inspection

FRA AIP

# Car Damage Report

Car Number ILX 198738

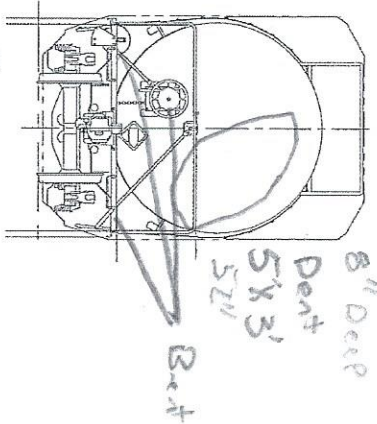
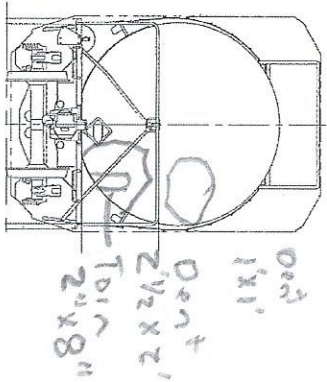
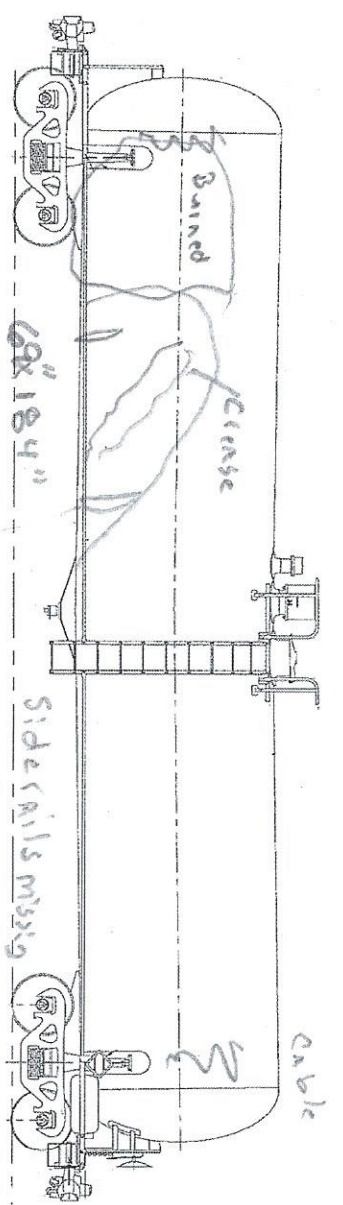
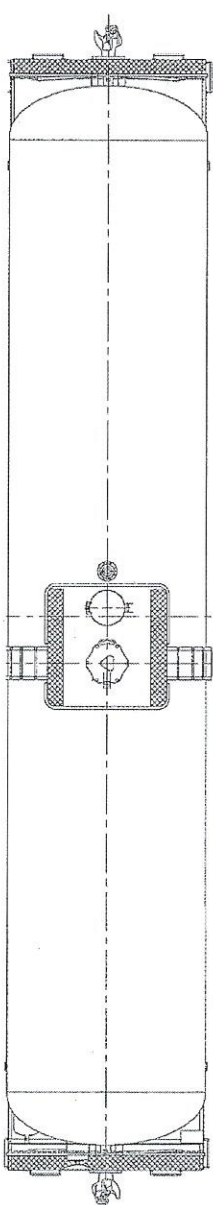
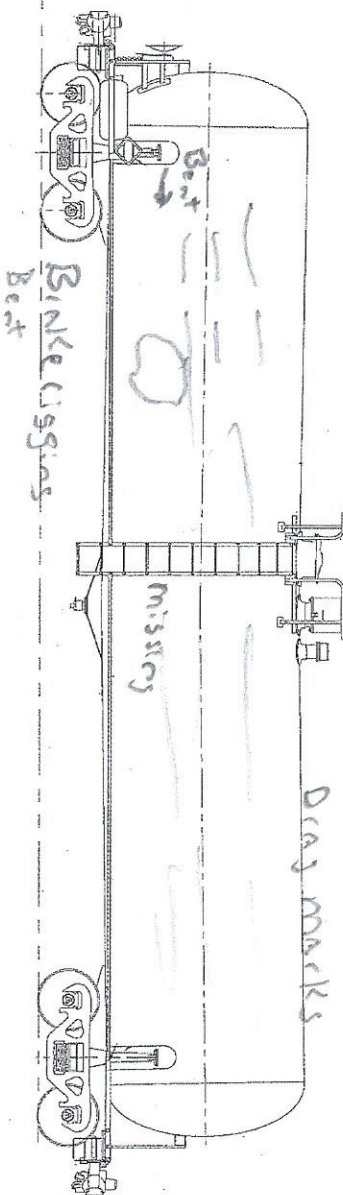
Wreck Index Number 9

Consist 72127

Date of Derailment 4-24-19

Location Ft Worth TX

3-12-15  
DGT-004  
Rev 3



Builder TRN  
 Built Date 12-01  
 DOT 117 R 180W  
 File# \_\_\_\_\_  
 Loss of Commodity Yes/No ?

Top fittings MW OK MH OK  
 Bottom Outlet Leg Sok Handle DH toin off  
 Shell Tear Thermal No Mech ? Remove Stk  
 Draft Sill A Bent B Bent  
 Head Shield A Bent toin B Bent  
 Skid Condition DK

KNTSB Hold  
Remove Inocket  
Veinon → Reinspect @ center BoV Orig - Reposition Ball Leak stopped  
Don

# Car Damage Report

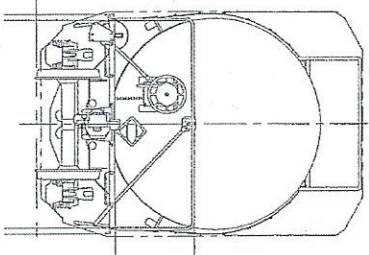
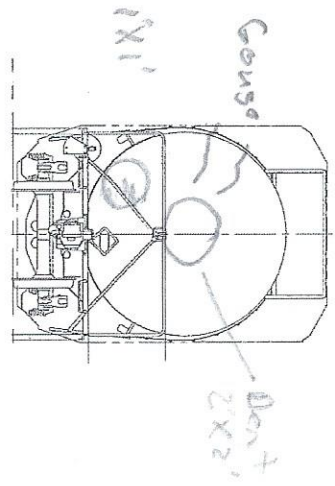
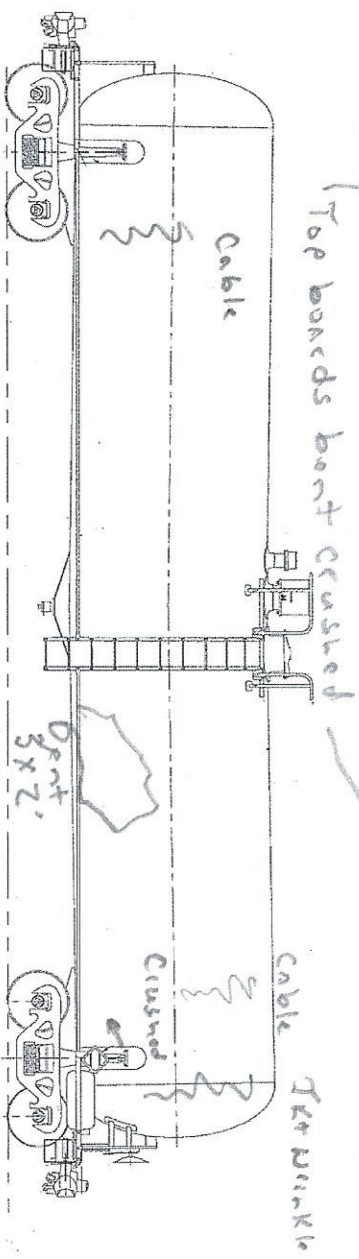
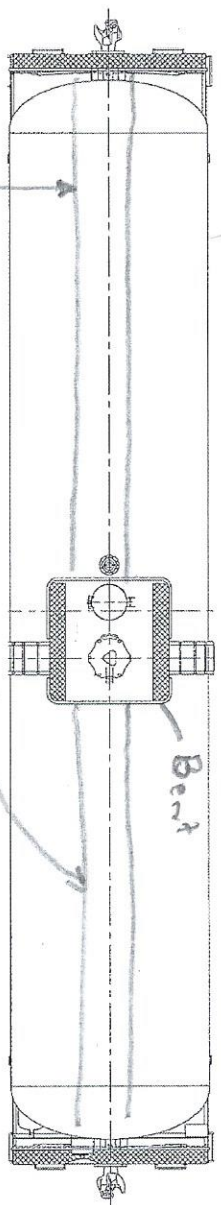
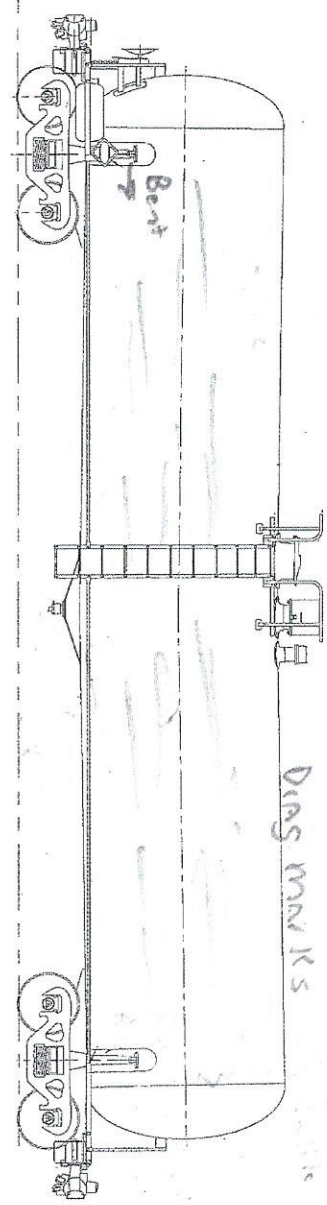
Car Number TILX 351793

Wreck index Number 10 Consist 71/28

Date of Derailment 4-24-19

Location Ft Worth TX

3-12-15  
DGT-004  
Rev 3



Builder TRN  
 Built Date 5-13  
 DOT 117R100W  
 File# \_\_\_\_\_  
 Loss of Commodity Yes / No  
Lined 2900LV  
SRLO 5-2013

Top fittings MW OK MH OK  
 Bottom Outlet Leg S OK Handle DH Burried  
 Shell Tear Thermal NO Mech NO  
 Draft Sill A Bent B Bent  
 Head Shield A OK B OK +  
 Skid Condition OK

# Car Damage Report

Car Number FURX 160011

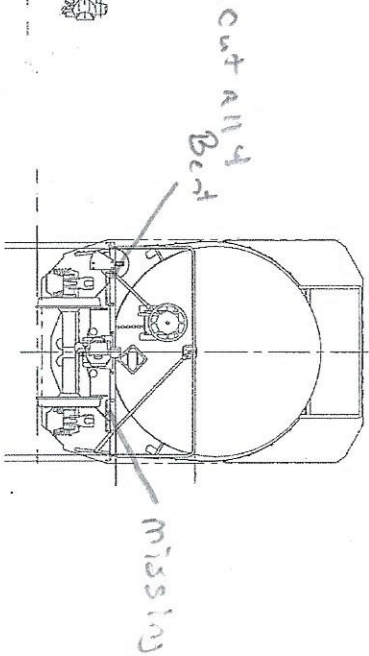
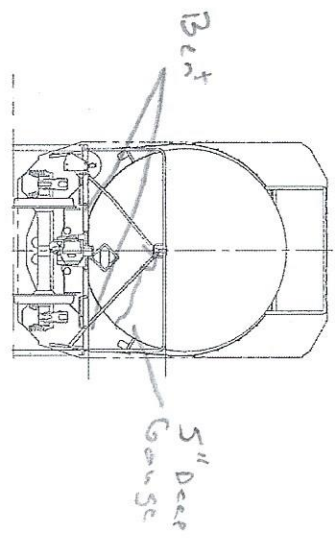
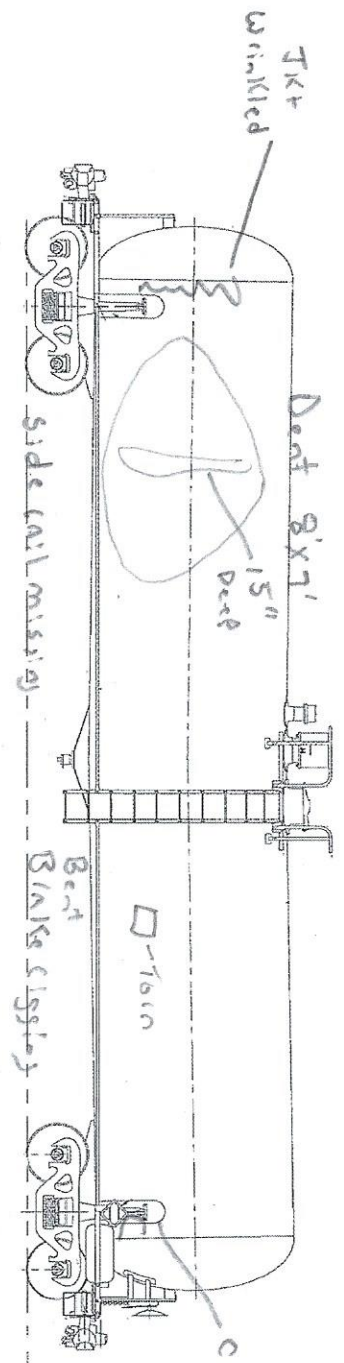
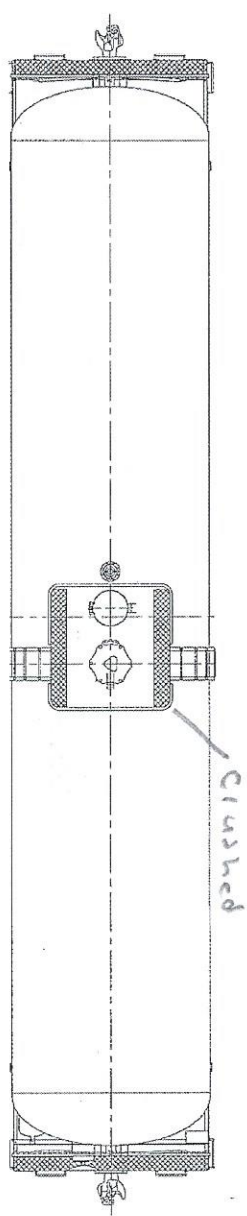
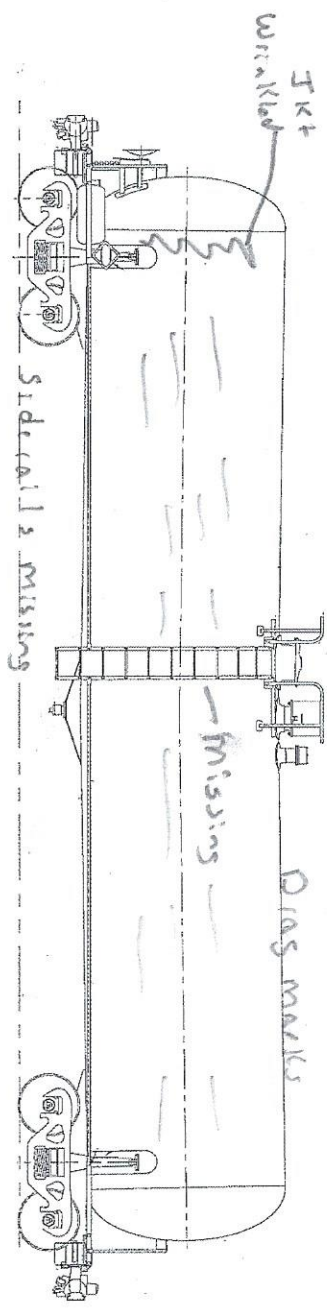
Wreck index Number 11

Consist 70/29

Date of Derailment 4-24-19

Location Ft Worth TX

3-12-15  
DGT-004  
Rev 3



Builder Gunderson  
 Built Date 2-16  
 DOT 11751000  
 File# \_\_\_\_\_  
 Loss of Commodity Yes/No

Top fittings MW OK MH OK  
 Bottom Outlet Leg S OK Handle DH Toin OK  
 Shell Tear Thermal No Mech No \_\_\_\_\_  
 Draft Sill A OK B Bent  
 Head Shield A Bent gauge B OK  
 Skid Condition OK

# Car Damage Report

Car Number TILX 352058

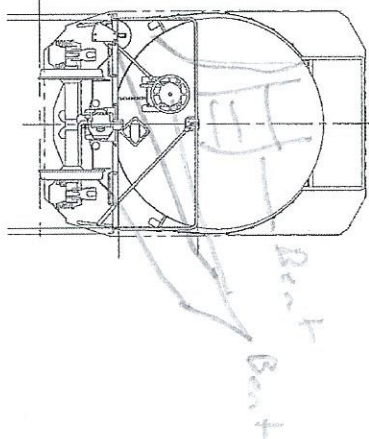
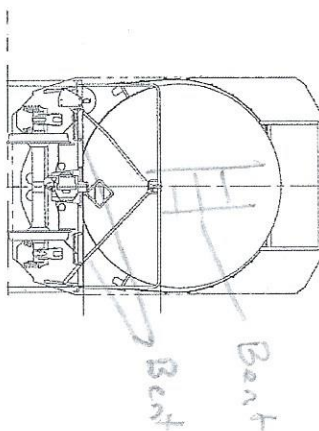
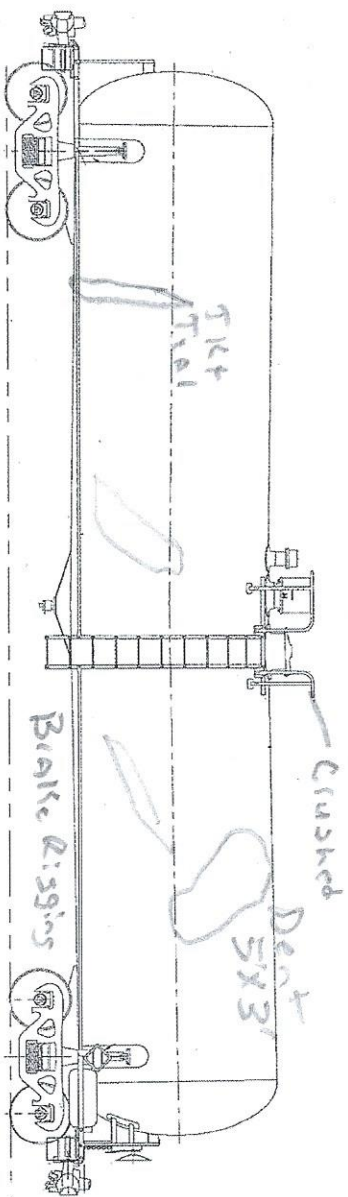
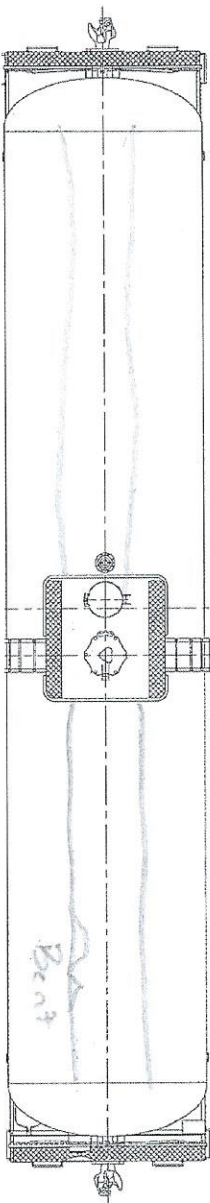
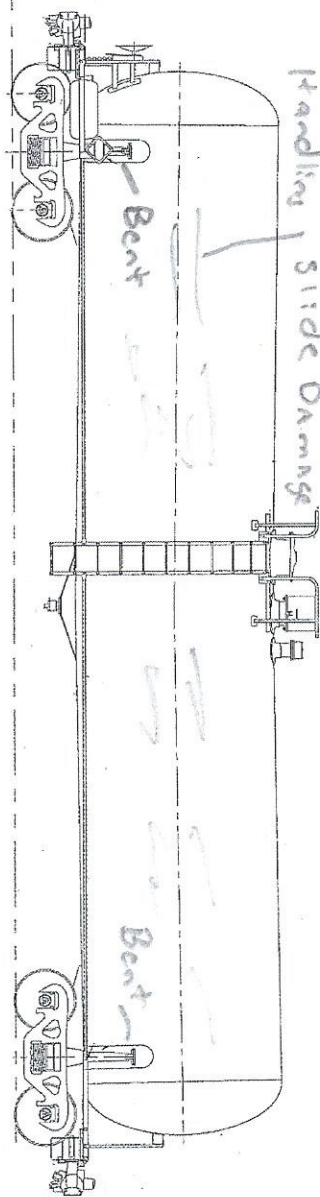
Wreck index Number \_\_\_\_\_

Consist 69/30

Date of Derailment 4-24-19

Location Ft Worth TX

3-12-15  
DGT-004  
Rev 3



Builder TRN  
 Built Date 10-13 Msd 11-15  
 DOT 117R100W  
 File# \_\_\_\_\_  
 Loss of Commodity Yes/No

Top fittings MW OK MH OK  
 Bottom Outlet Leg S OK Handle DH Salco  
 Shell Tear Thermal No Mech No  
 Draft Sill A Bent B OK?  
 Head Shield A OK B Bent  
 Skid Condition Damaged OK

GPS? impact

Lined 10-2013

# Car Damage Report

Car Number TILX363454

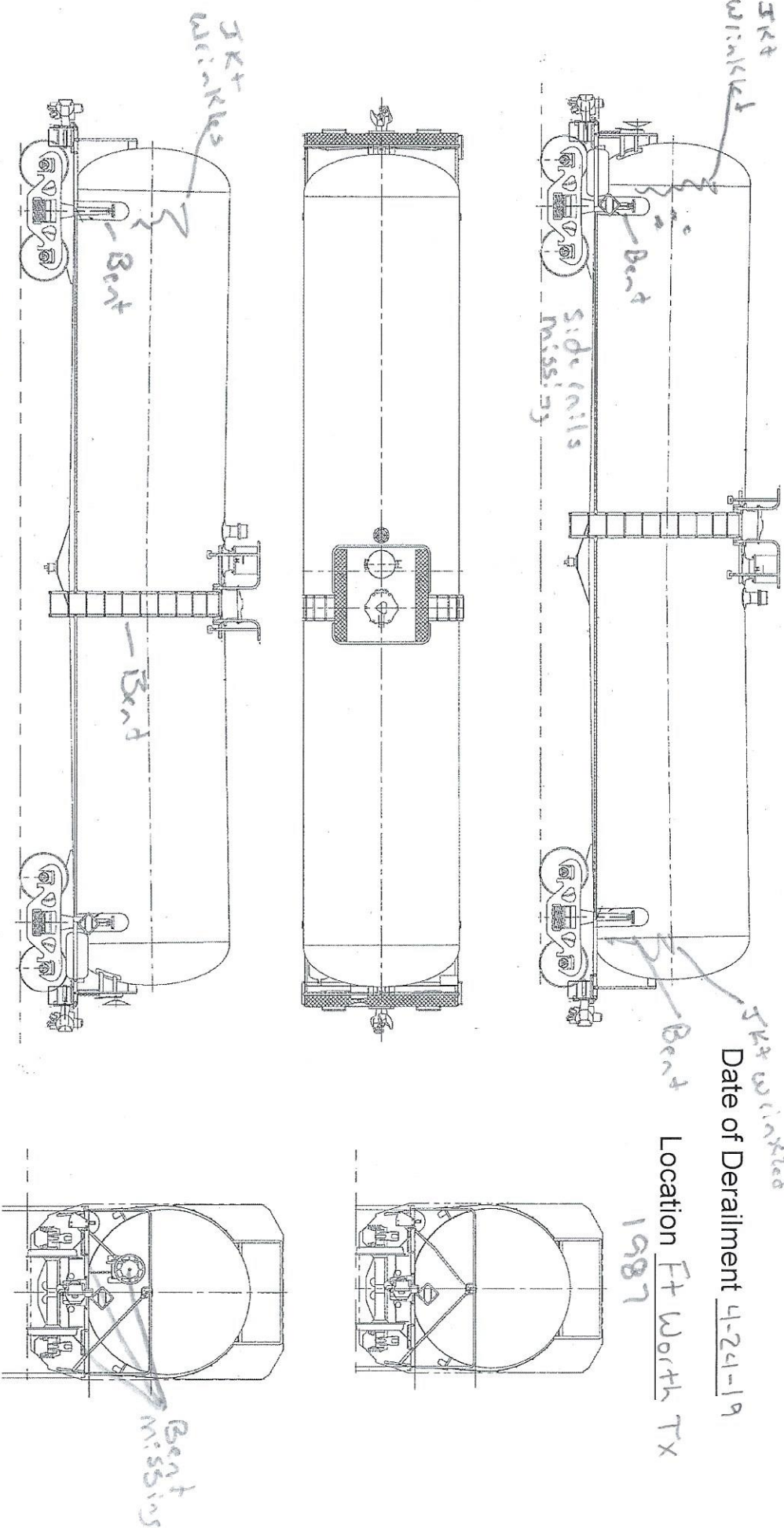
Wreck index Number 13

Consist 68/31

3-12-15  
DGT -004  
Rev 3

Date of Derailment 4-24-19

Location Ft Worth TX  
1987



Builder TRN  
Built Date 8-18  
DOT 17J100W  
File# \_\_\_\_\_  
Loss of Commodity Yes/No

Top fittings MW OK MH DK  
Bottom Outlet Leg OK Handle DH Bent  
Shell Tear Thermal No Mech No  
Draft Sill A Bent B Bent  
Head Shield A OK B OK  
Skid Condition OK

# Car Damage Report

Car Number UTLX 207573

Wreck index Number 14

Consist 67/32

Socket wrinkled

Rails torn off

Bent

Dist. 5x8

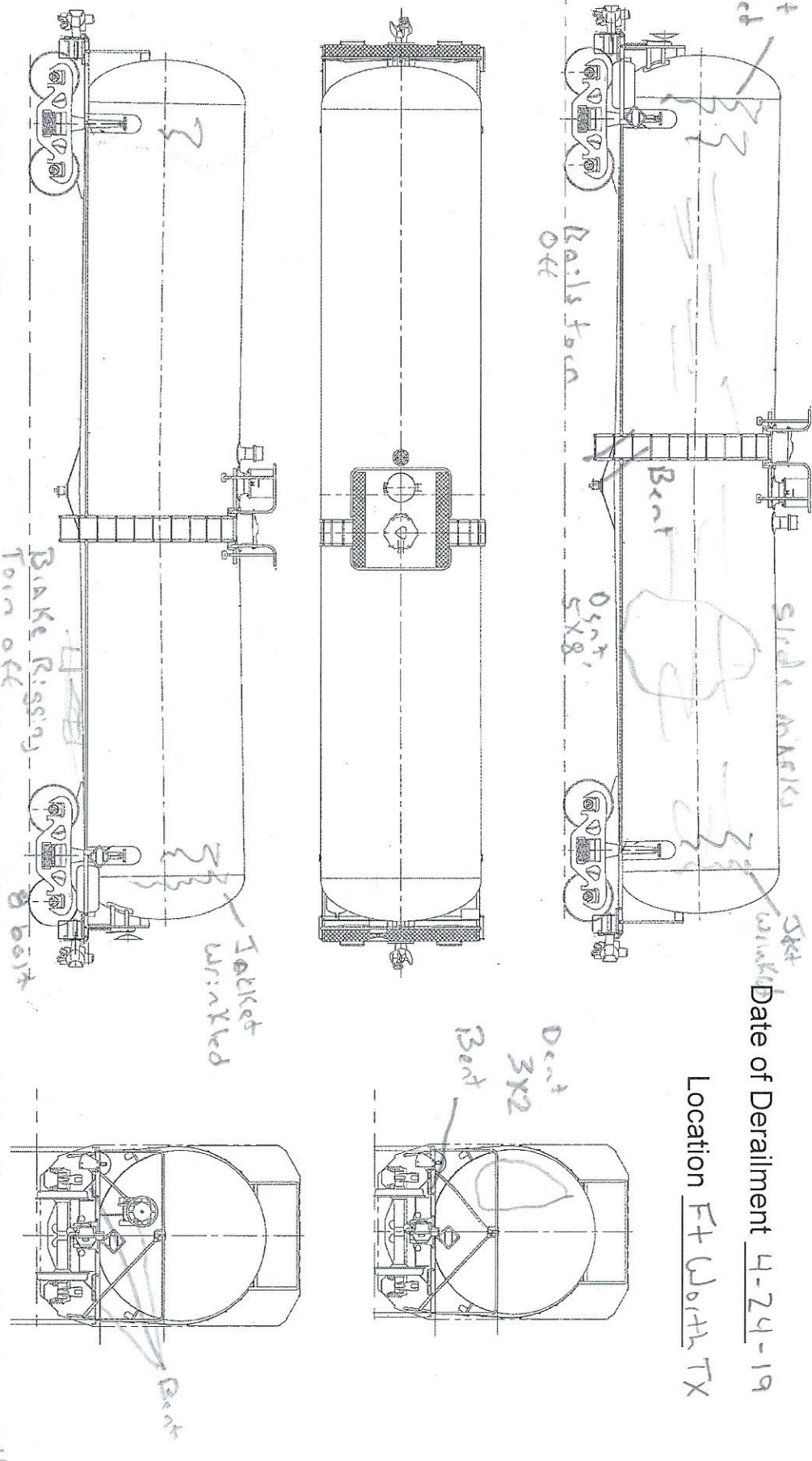
Slide marks

Skid marks

Date of Derailment 4-24-19

Location Ft Worth TX

3-12-15  
DGT-004  
Rev 3



Builder UTC  
Built Date 7-2007 mod 5-16  
DOT 117R1D0W  
File# \_\_\_\_\_  
Loss of Commodity Yes / No

Top fittings MWOK MH OK Muds on all  
Bottom Outlet Leg SOK Handle DH UTC  
Shell Tear Thermal No Mech NO  
Draft Sill A OK B OK  
Head Shield A Dent B OK  
Skid Condition OK CR ST



Car Damage Report

Car Number FURX 160024

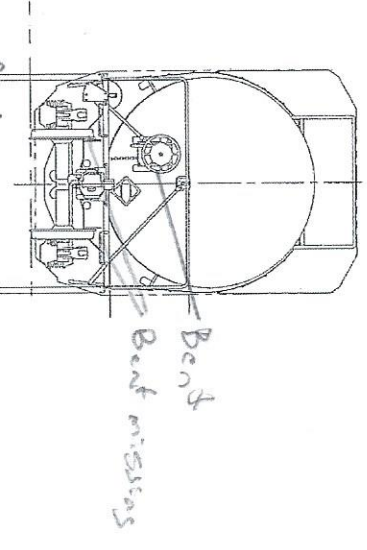
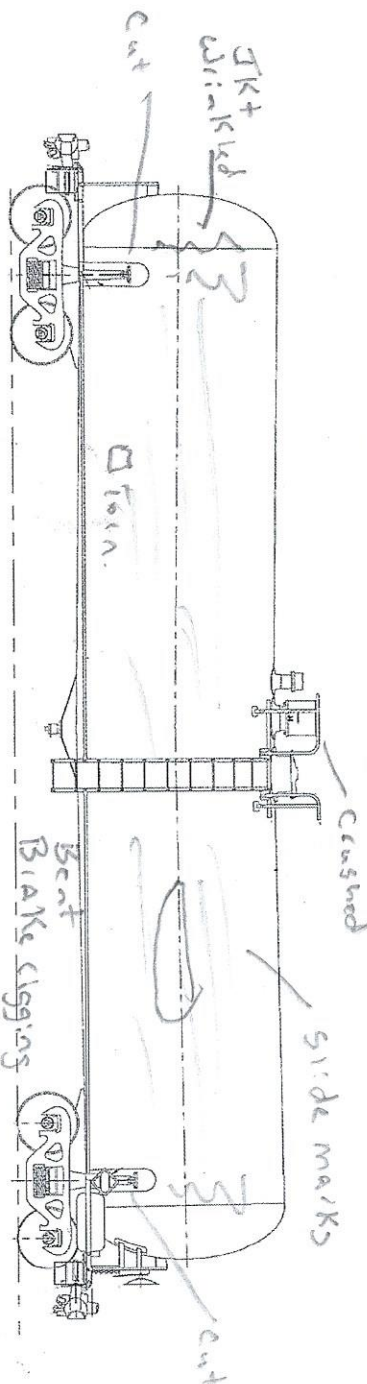
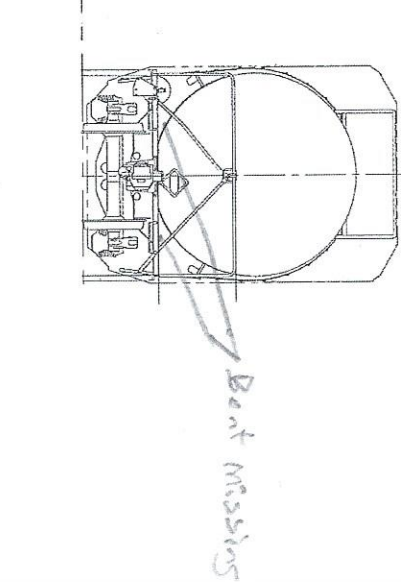
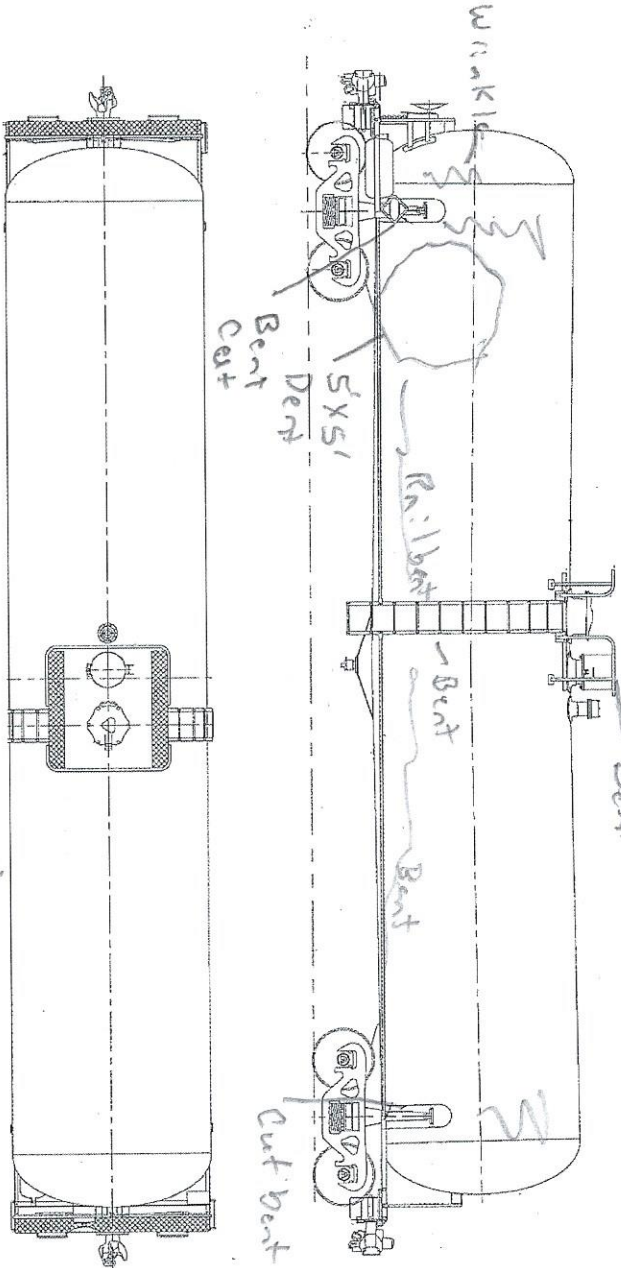
Wreck index Number 15

Consist 666/33

Date of Derailment 4-24-19

Location Ft Worth TX

3-12-15  
DGT-004  
Rev 3



Builder Gunderson  
 Built Date 2-16  
 DOT 1175100W  
 File# \_\_\_\_\_  
 Loss of Commodity Yes/No

Boo Drop  
Check

Top fittings MW OK      MH Leg muddn  
 Bottom Outlet Leg S OK      Handle DH torn ok GDX  
 Shell Tear Thermal No      Mech No  
 Draft Sill A DK7      B OK  
 Head Shield A OK      B OK  
 Skid Condition OK

# Car Damage Report

Car Number UTLX 289301

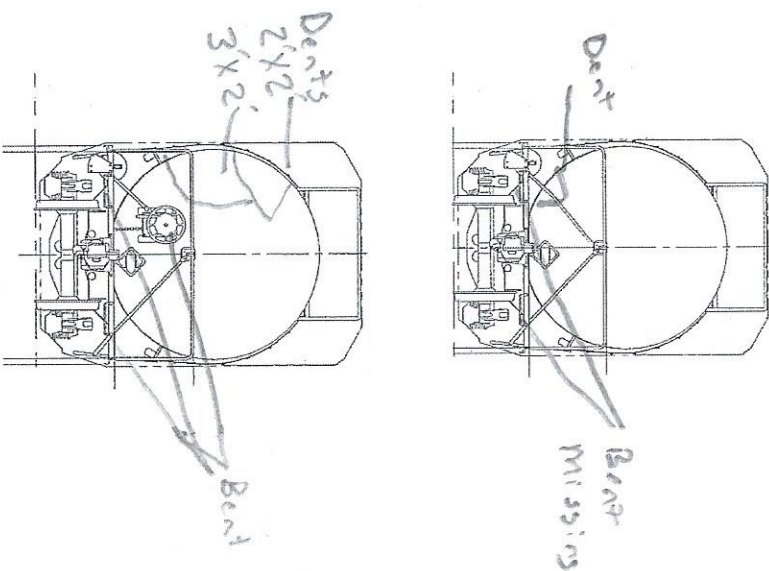
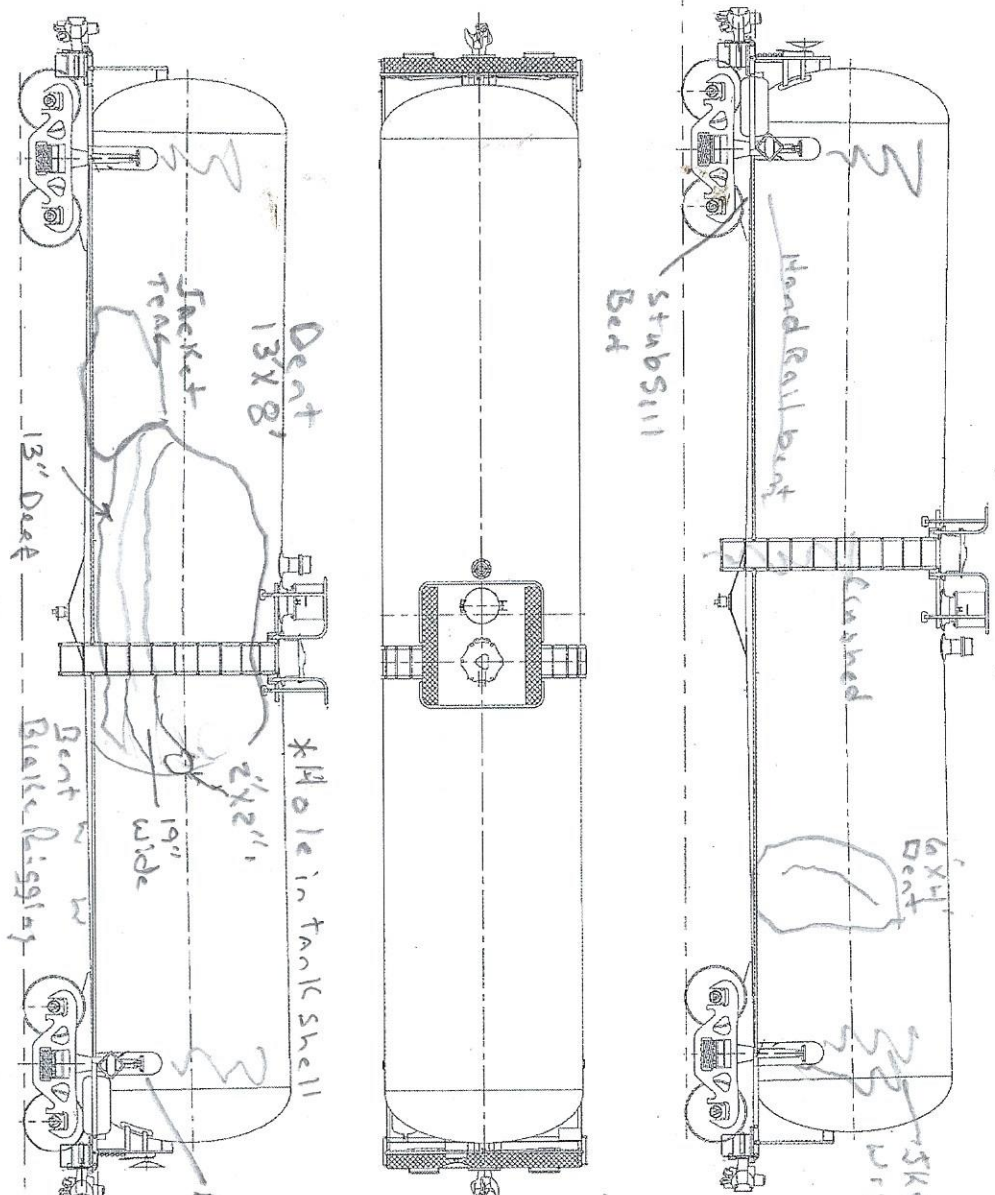
Wreck index Number 16

Consist 65/34

3-12-15  
DGT-004  
Rev 3

Date of Derailment 4-24-19

Location Ft Worth TX



Builder UTC  
 Built Date 9-07 HM 6-2016  
 DOT 117R1DDW  
 File# \_\_\_\_\_  
 Loss of Commodity Yes / No

Top fittings MW OK MH Nozzle bent  
 Bottom Outlet Leg OK Handle DH Leaking 2 Bow  
 Shell Tear Thermal No Mech Yes Bent  
 Draft Sill A Bent B Bent  
 Head Shield A Dent B Bent  
 Skid Condition OK

\* Remove Truck At hook NTSB Hold Tank Shell Coupon

Coupon W/Hole Car Pon - Base

78" of Outgase

# Car Damage Report

Car Number TLX 199078

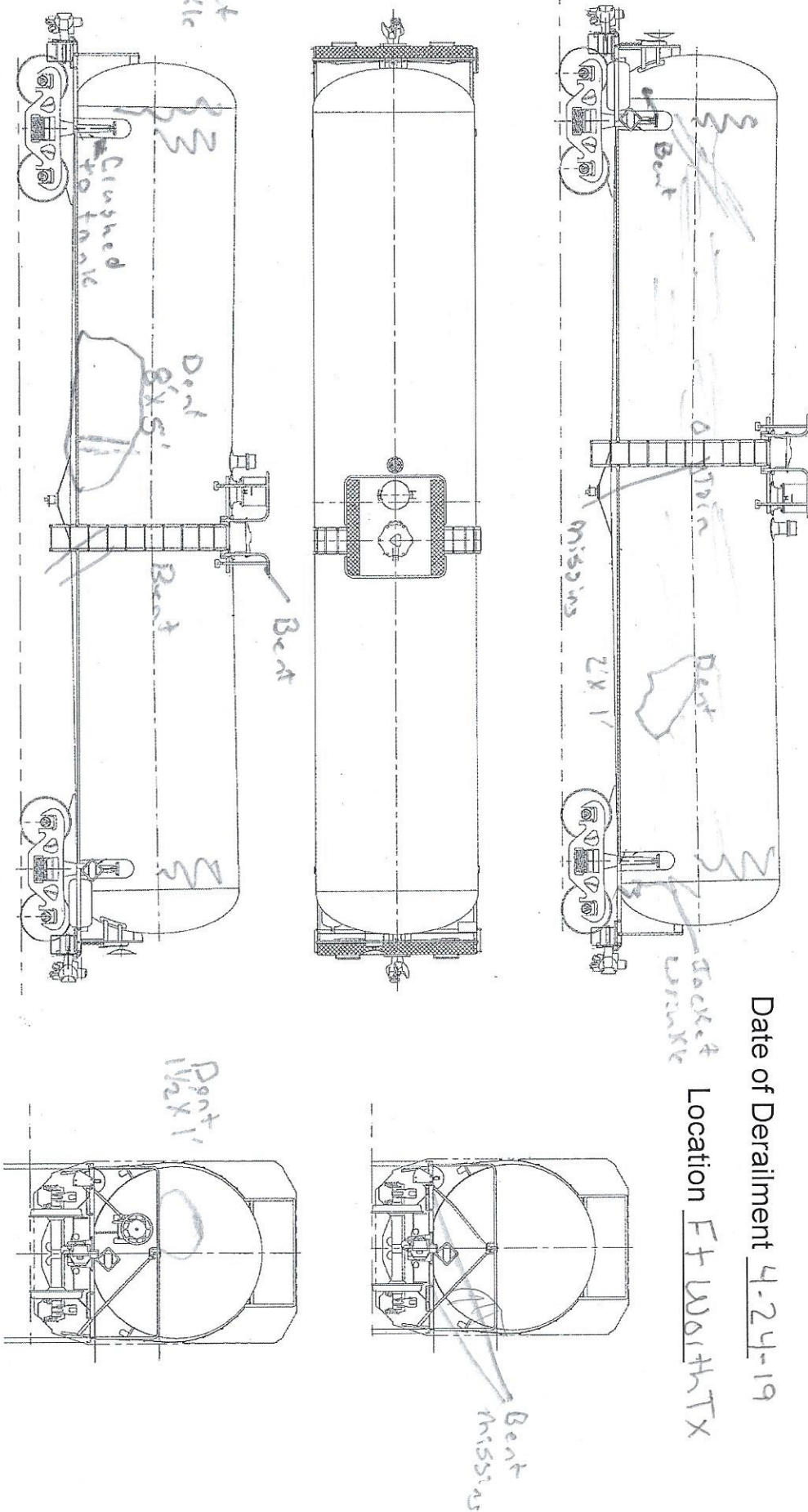
Wreck index Number \_\_\_\_\_

Consist 604/35

3-12-15  
DGT-004  
Rev 3

Date of Derailment 4-24-19

Location FT Worth TX



Builder TRN  
 Built Date 1-08 Mod Z-18  
 DOT 117R1600  
 File# \_\_\_\_\_  
 Loss of Commodity Yes / No

Top fittings MW OK MH OK  
 Bottom Outlet Leg SoK Handle DH Salco Bent  
 Shell Tear Thermal No Mech No  
 Draft Sill A Dent B Torn OK HG  
 Head Shield A Bent B Bent Torn  
 Skid Condition Bent down center

# Car Damage Report

Car Number FURX160030

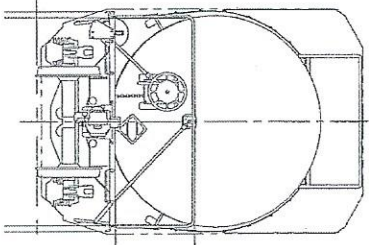
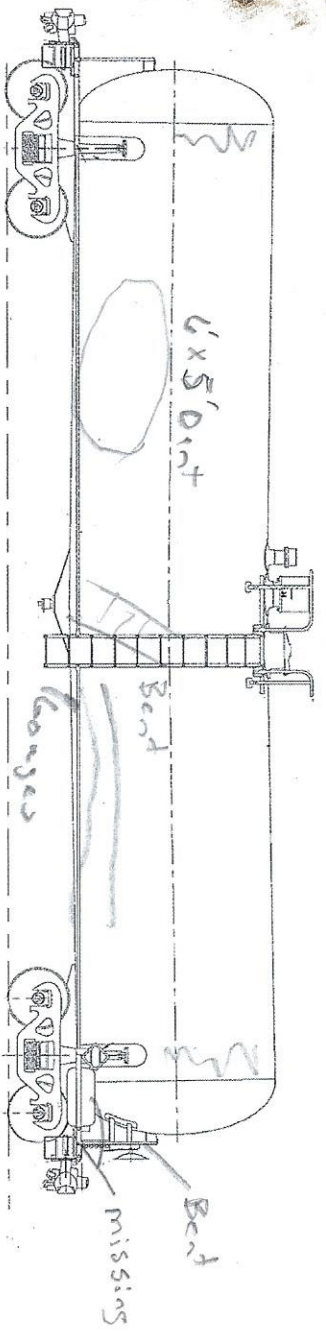
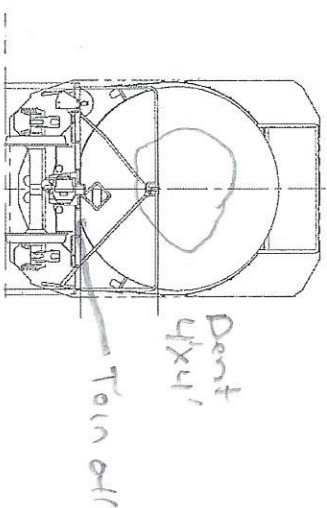
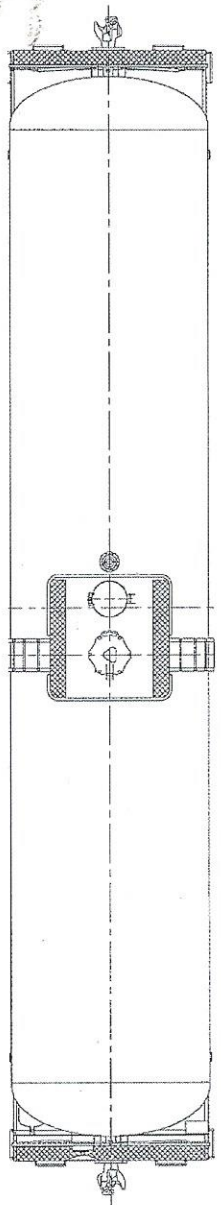
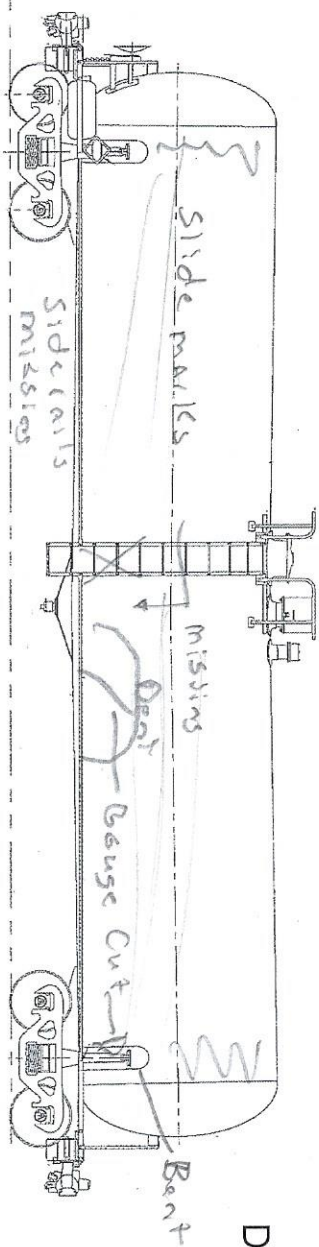
Wreck index Number \_\_\_\_\_

Consist 63/36

Date of Derailment 4-24-19

Location Ft Worth TX

3-12-15  
DGT-004  
Rev 3



Builder Gunderson  
 Built Date 2-16  
 DOT 1175100W  
 File# \_\_\_\_\_  
 Loss of Commodity Yes/No

Top fittings MW OK MH OK  
 Bottom Outlet Leg S OK Handle DH Bent CBX  
 Shell Tear Thermal No Mech No \_\_\_\_\_  
 Draft Sill A Bent Pass B Bent  
 Head Shield A Dent B OK  
 Skid Condition OK Leg Skewed

# Car Damage Report

Car Number TLX 197495

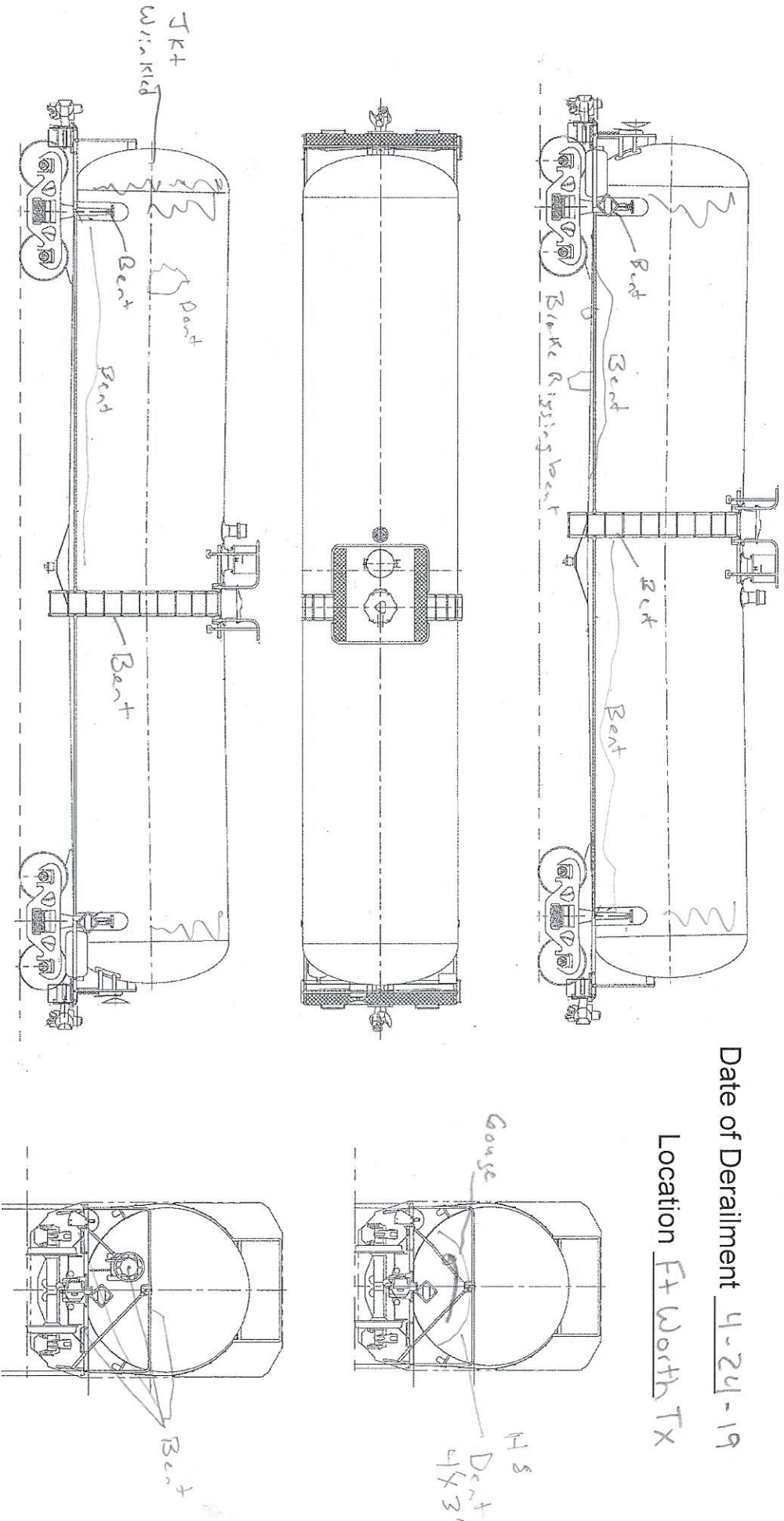
Wreck index Number \_\_\_\_\_

Consist 62/37

Date of Derailment 4-24-19

Location Ft Worth TX

3-12-15  
DGT -004  
Rev 3



Builder TRN  
Built Date 09-05 Hm-Z51 5-2018  
DOT 117R100W  
File# \_\_\_\_\_  
Loss of Commodity Yes / No

Top fittings MW OK MH OK  
Bottom Outlet Leg Sl OK Handle DH Bent Sl ice  
Shell Tear Thermal No Mech No  
Draft Sill A Bent B OK  
Head Shield A Bent B OK  
Skid Condition OK

Drawings for Hm-Z51

# Car Damage Report

Car Number TKLX 154312

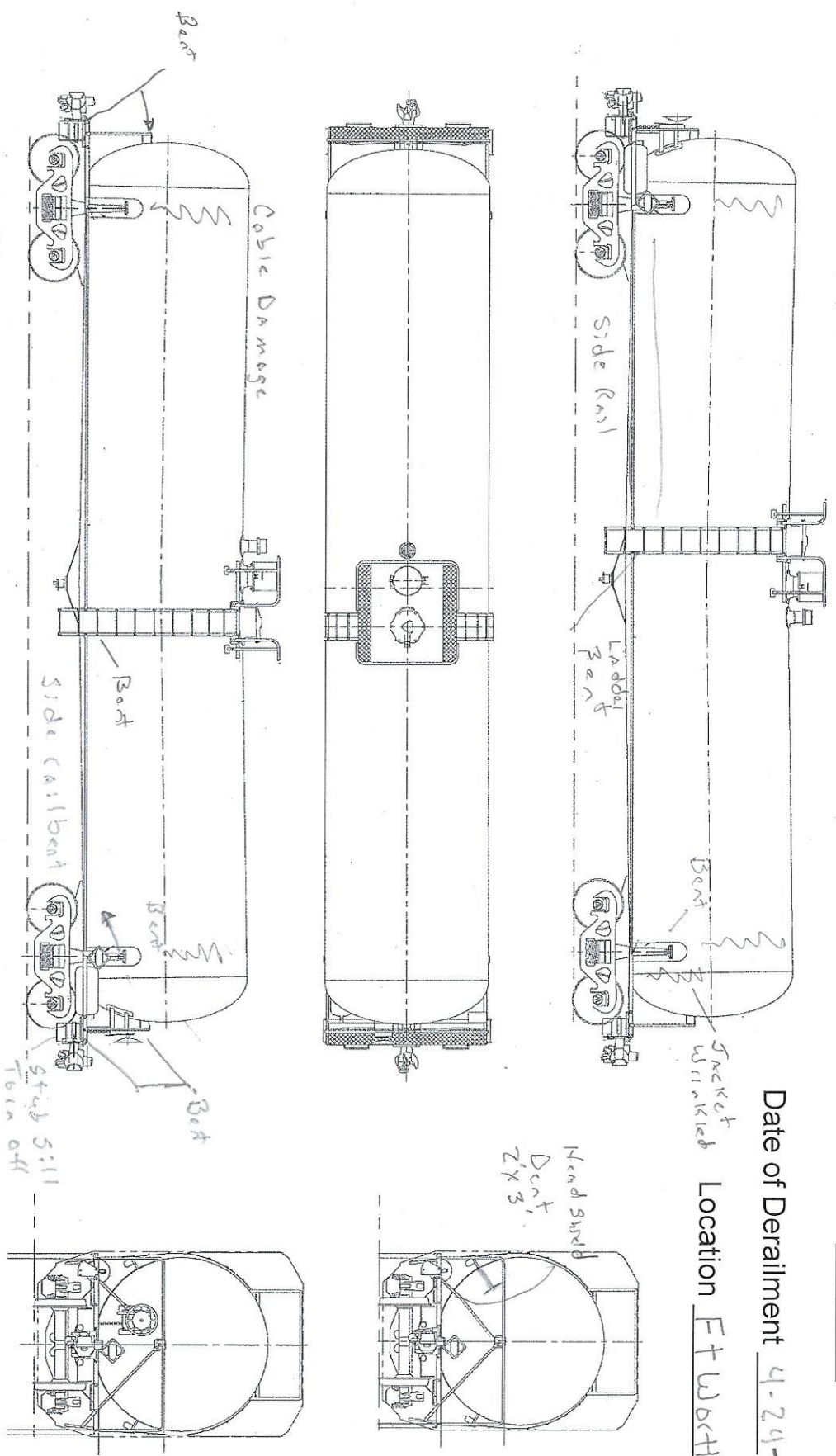
Wreck index Number \_\_\_\_\_

Consist 601/38

3-12-15  
DGT-004  
Rev 3

Date of Derailment 4-24-19

Location FT Worth TX



Builder TRN  
 Built Date 10-07 AM-251 1-18  
 DOT 117 R  
 File# \_\_\_\_\_  
 Loss of Commodity Yes  No

Top fittings MW  OK MH  OK  
 Bottom Outlet Leg S  OK Handle  DH  OK Saleman  
 Shell Tear Thermal No Mech No  
 Draft Sill A Bent? B Tain L side  
 Head Shield A Bent B  
 Skid Condition OK

# Car Damage Report

Car Number ILX 363442

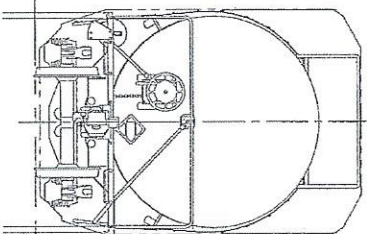
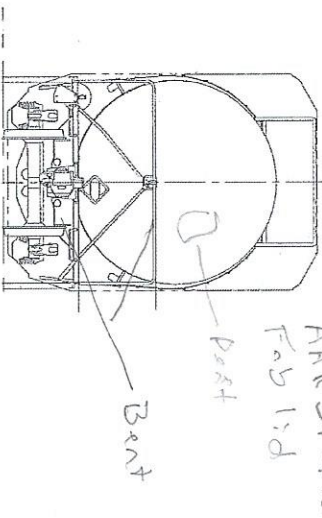
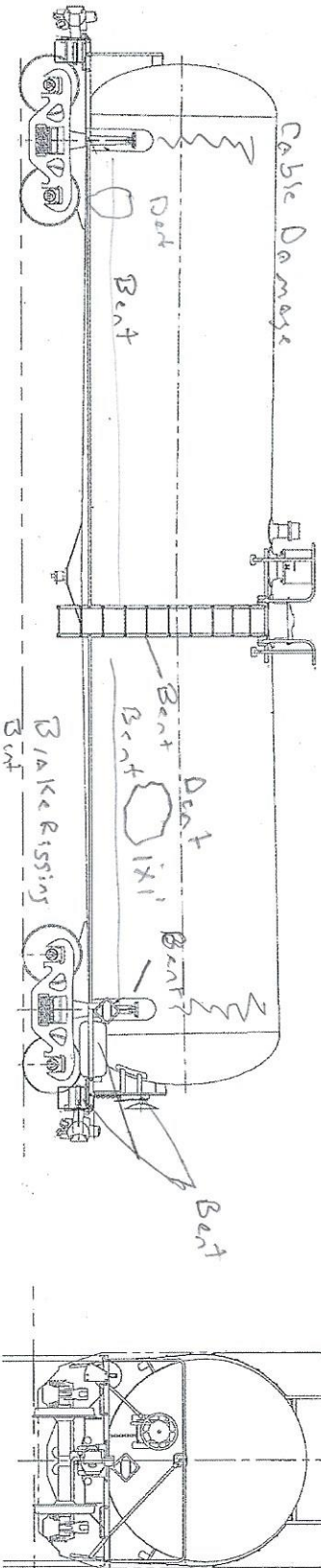
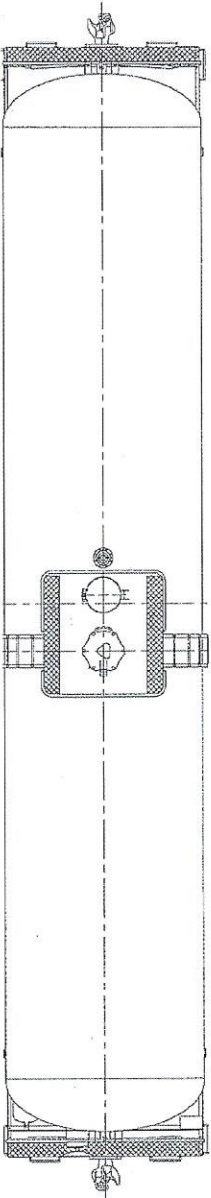
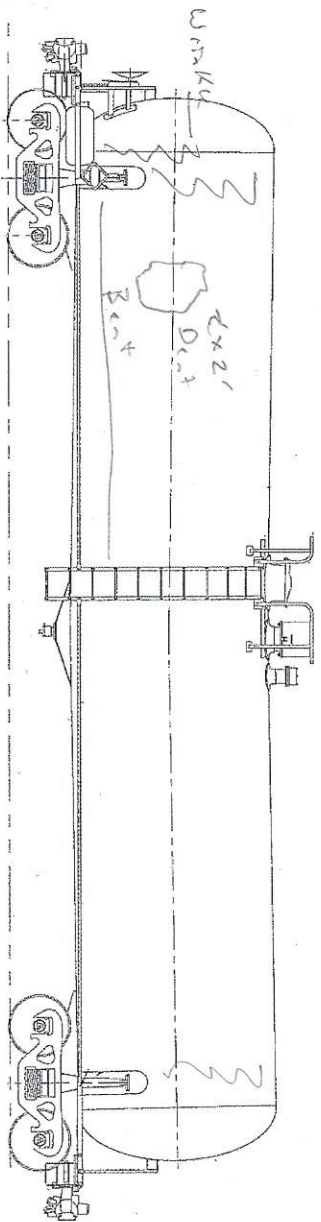
Wreck index Number \_\_\_\_\_

Consist 60D/39

3-12-15  
DGT -004  
Rev 3

Date of Derailment 4-24-19

Location Ft Worth TX



Builder TRN  
 Built Date 8-2018  
 DOT 11751663 9/16  
 File# \_\_\_\_\_  
 Loss of Commodity Yes / No

Top fittings MW OK MH OK  
 Bottom Outlet Leg S OK Handle DH Bent TQ  
 Shell Tear Thermal ND Mech No  
 Draft Sill A OK B OK  
 Head Shield A OK B OK  
 Skid Condition OK

Fab lid Specs

# Car Damage Report

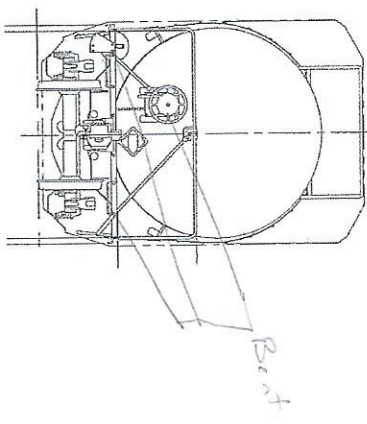
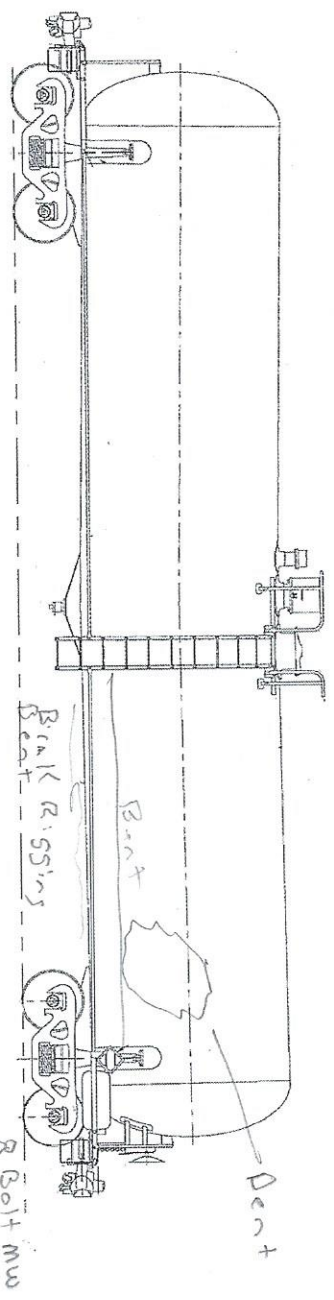
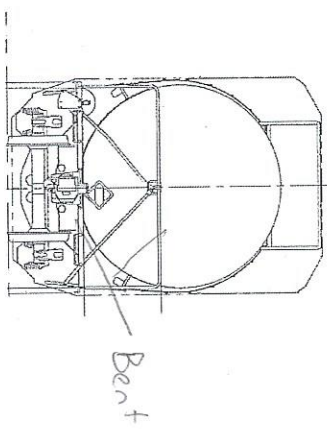
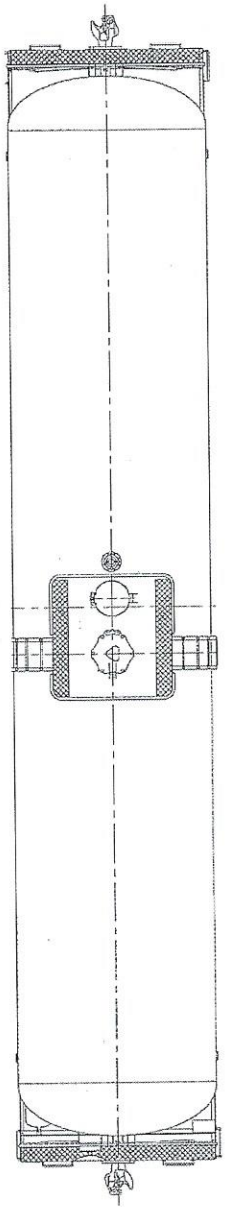
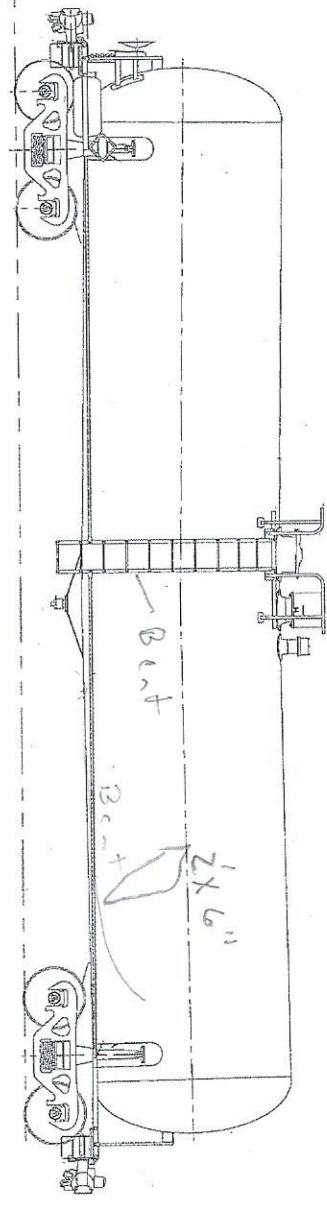
3-12-15  
DGT-004  
Rev 3

Car Number UTLX 209496

Wreck index Number \_\_\_\_\_ Consist 59/410

Date of Derailment 4-24-19

Location Ft Worth TX  
1987



Builder UTC  
Built Date 6-07 Hm-251 06-7616  
DOT 117R100w  
File# \_\_\_\_\_  
Loss of Commodity Yes / No

Top fittings MW OK MH OK  
Bottom Outlet Leg Sok Handle DH UTC  
Shell Tear Thermal No Mech No  
Draft Sill A OK B Bent  
Head Shield A OK B OK  
Skid Condition OK



Tim Chair Ask Rail

Z6 mph

# Car Damage Report

Car Number TLX 191499

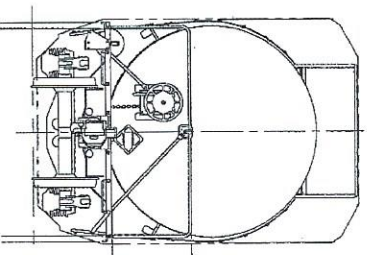
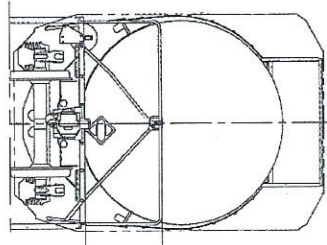
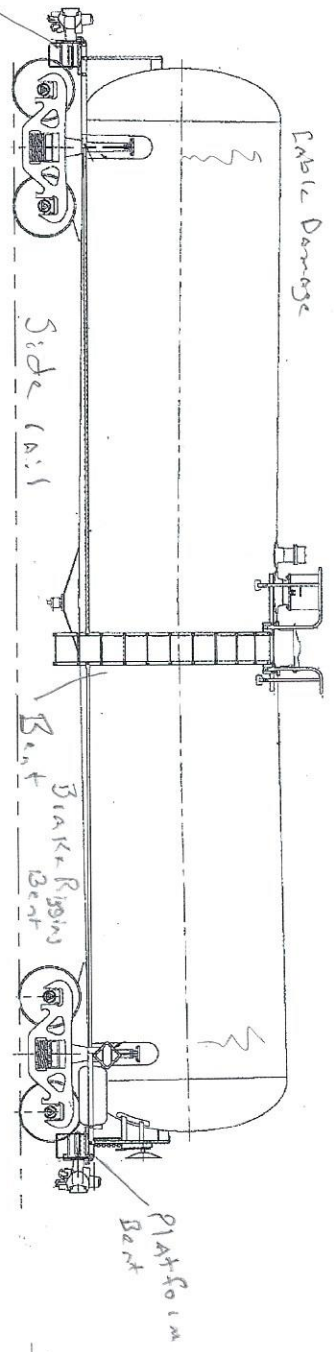
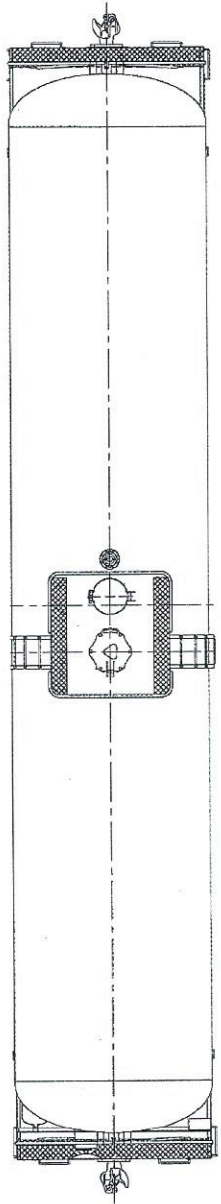
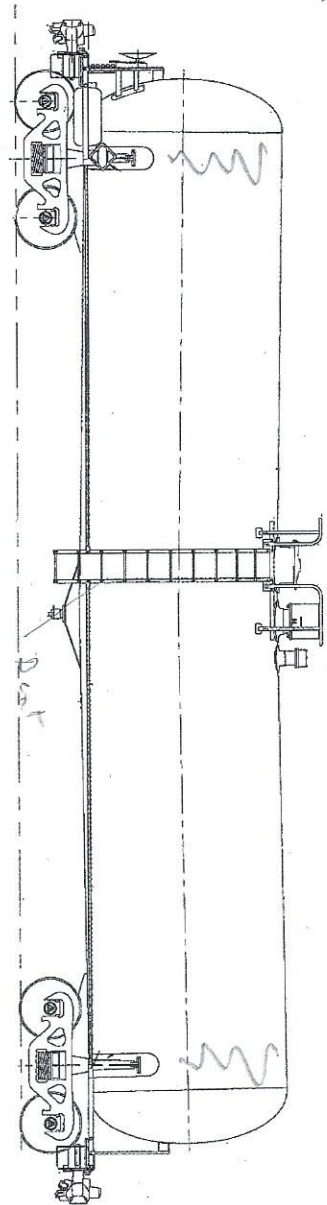
Wreck index Number \_\_\_\_\_

Consist 58/41

Date of Derailment 4-24-19

Location FT Wash

Placed 1987 (3)



Builder TRN 30,143  
 Built Date B-06 HM-251 12-18  
 DOT 117R 7/16  
 File# \_\_\_\_\_  
 Loss of Commodity Yes/No

Top fittings MW OK MH OK  
 Bottom Outlet Leg S ok Buried Handle DH bent Salco  
 Shell Tear Thermal No Mech No  
 Draft Sill A OK B OK  
 Head Shield A OK B OK  
 Skid Condition OK

Revised

# Car Damage Report

Car Number TX 199062

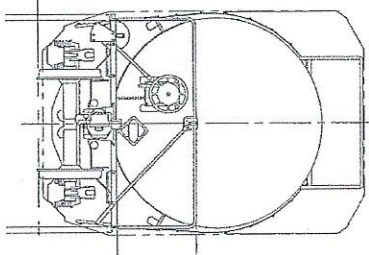
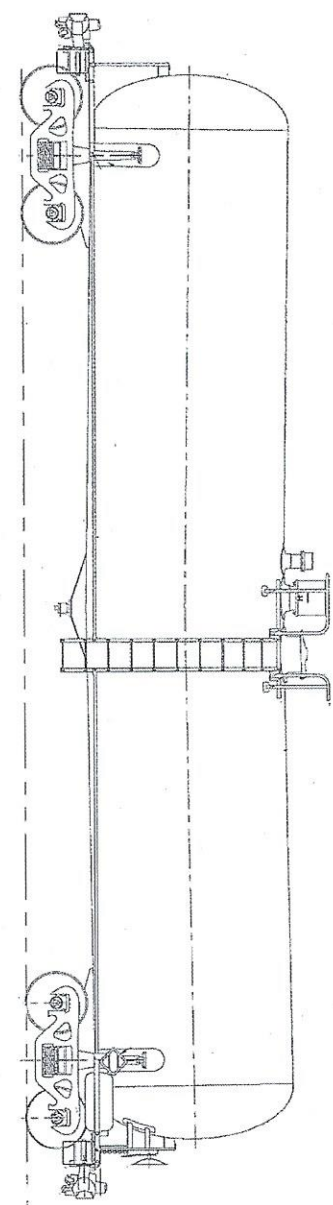
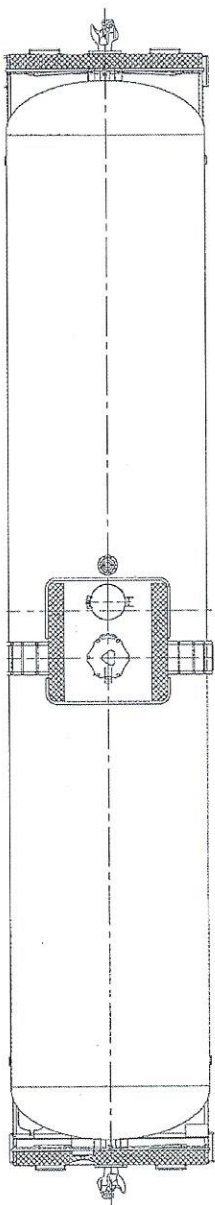
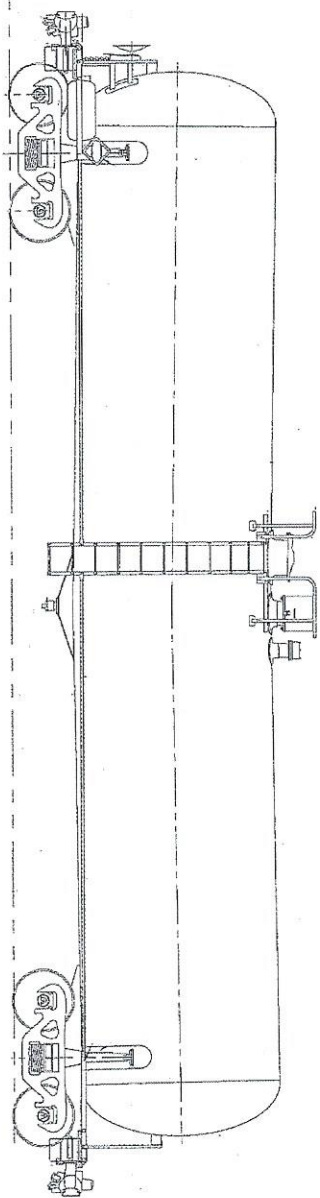
Wreck index Number \_\_\_\_\_

Consist 57142

Date of Derailment 4-24-19

Location Ft Worth TX

3-12-15  
DGT-004  
Rev 3



Builder TRN

Built Date \_\_\_\_\_

DOT 117R100W

File# \_\_\_\_\_

Loss of Commodity Yes / No

Trucks OK of Rail

Did not inspect

Top fittings MW

MH

Bottom Outlet Leg S ok

Handle DH

Shell Tear Thermal

Mech

Draft Sill A

B

Head Shield A

B

Skid Condition \_\_\_\_\_