



NATIONAL TRANSPORTATION SAFETY BOARD

Office of Aviation Safety
Washington, D.C. 20594

September 9, 2021

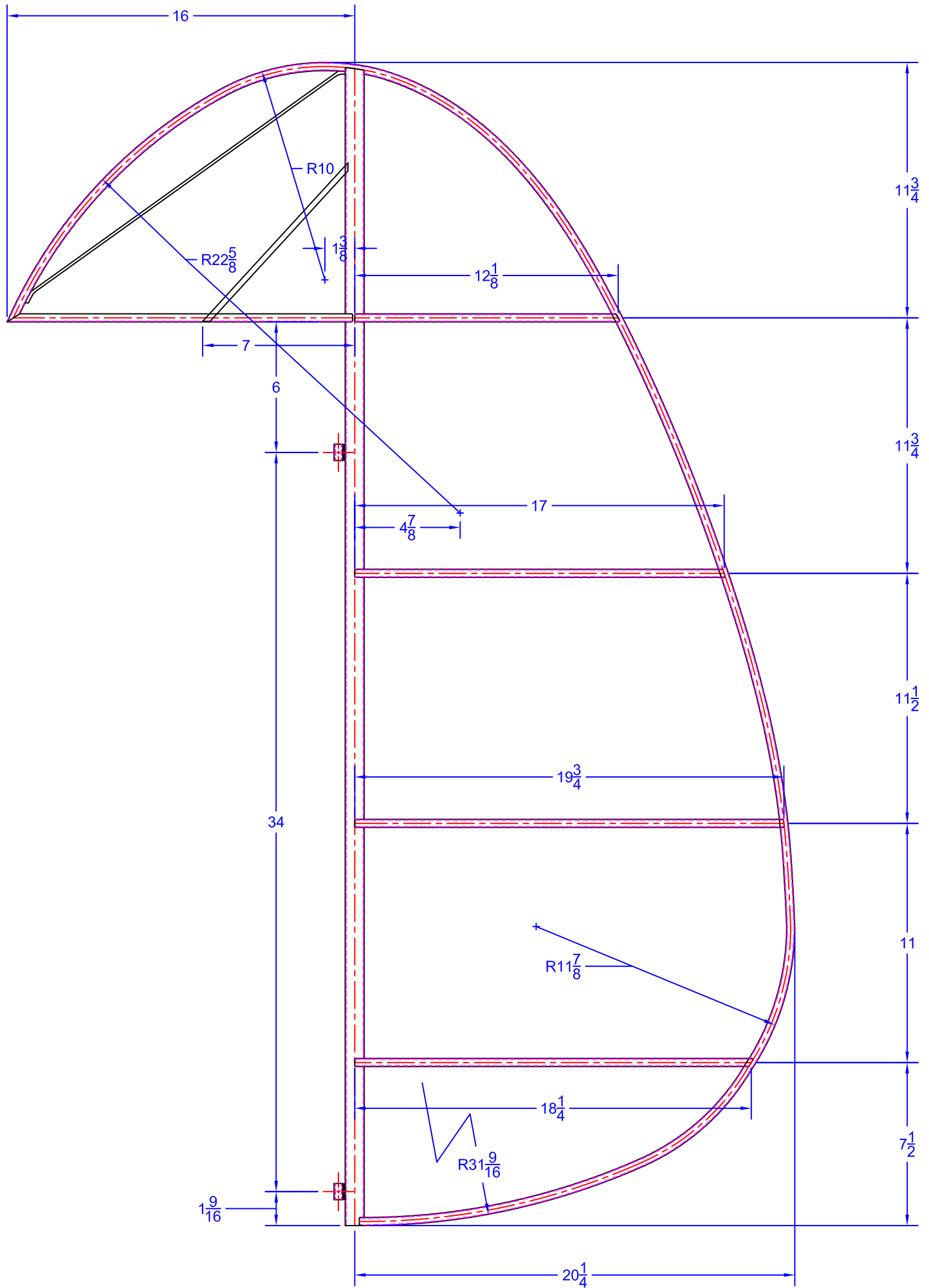
STRUCTURES

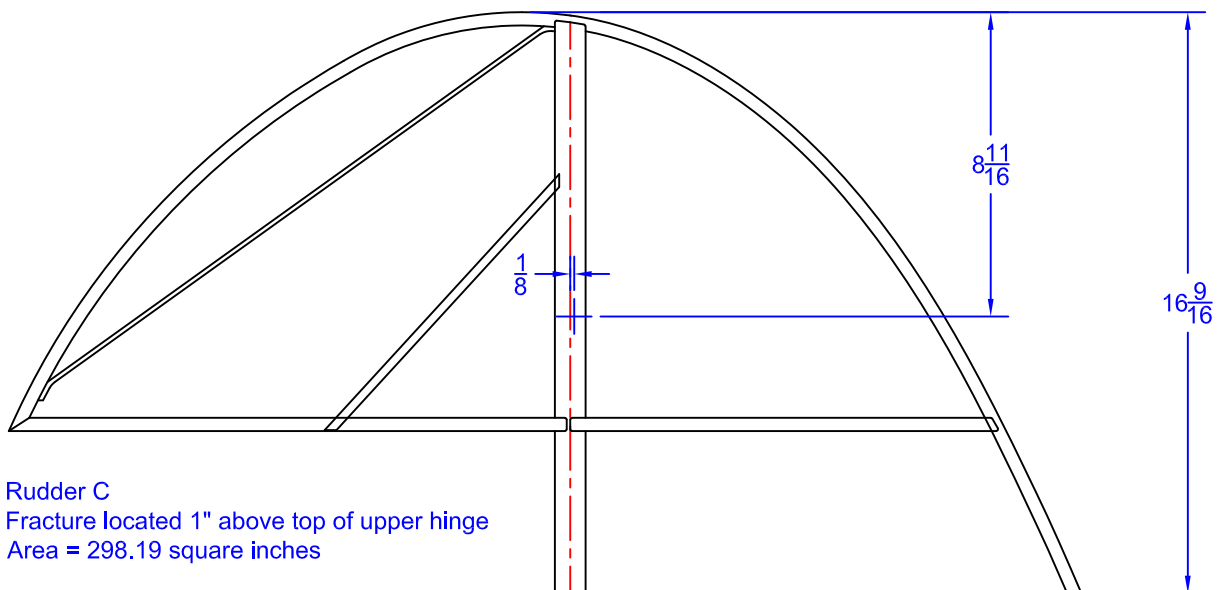
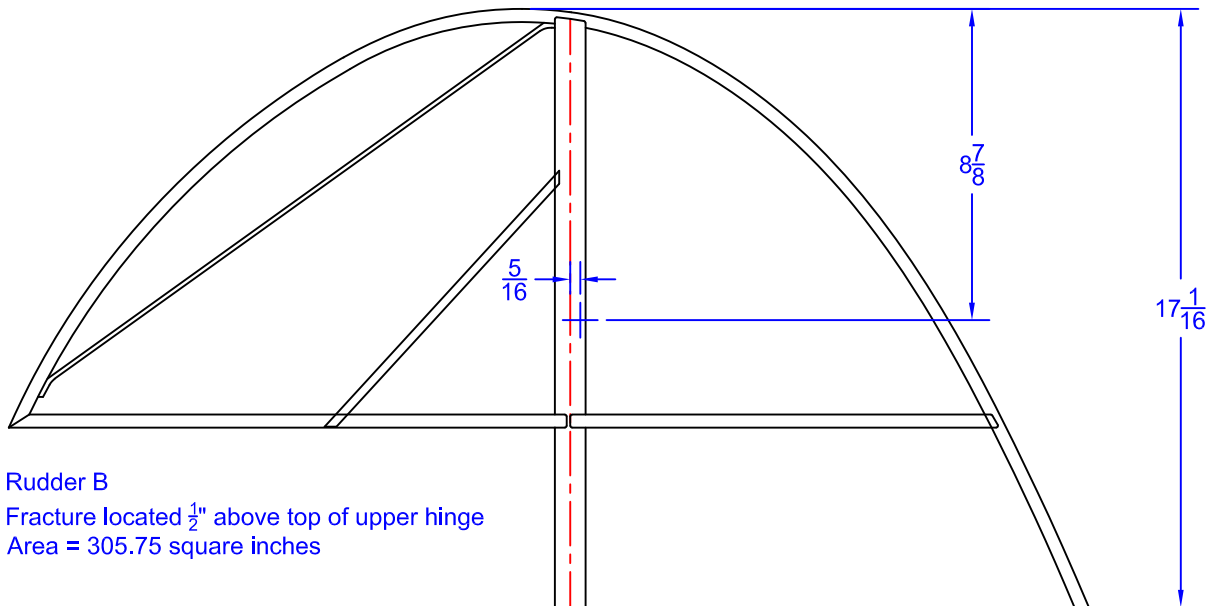
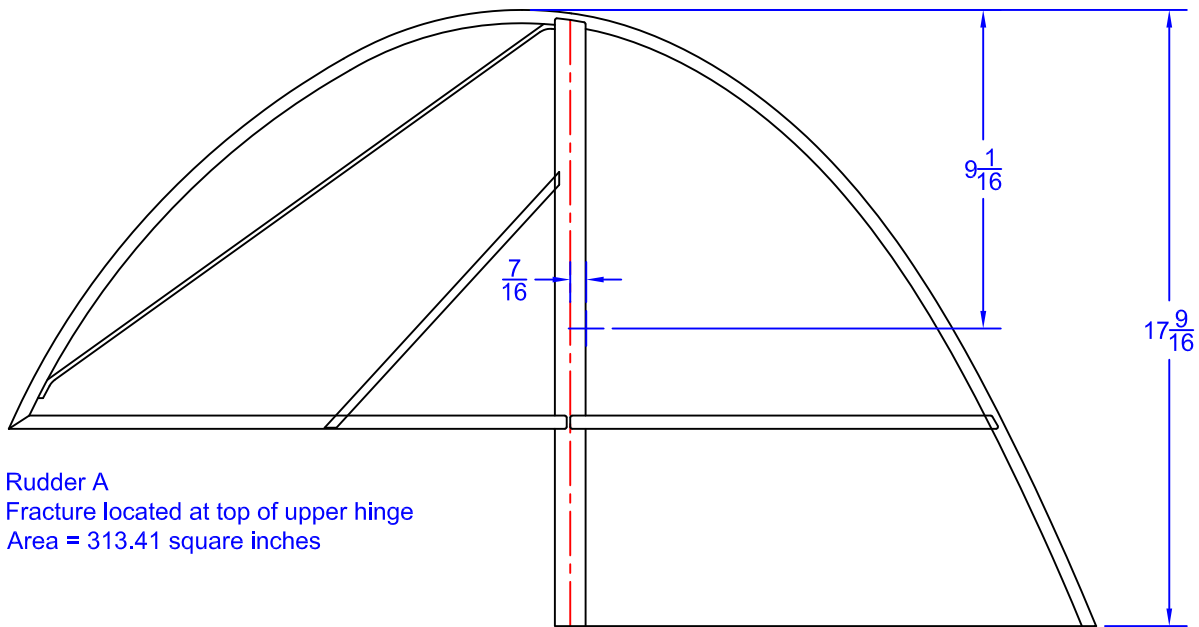
Group Chairman's Rudder Loads Study

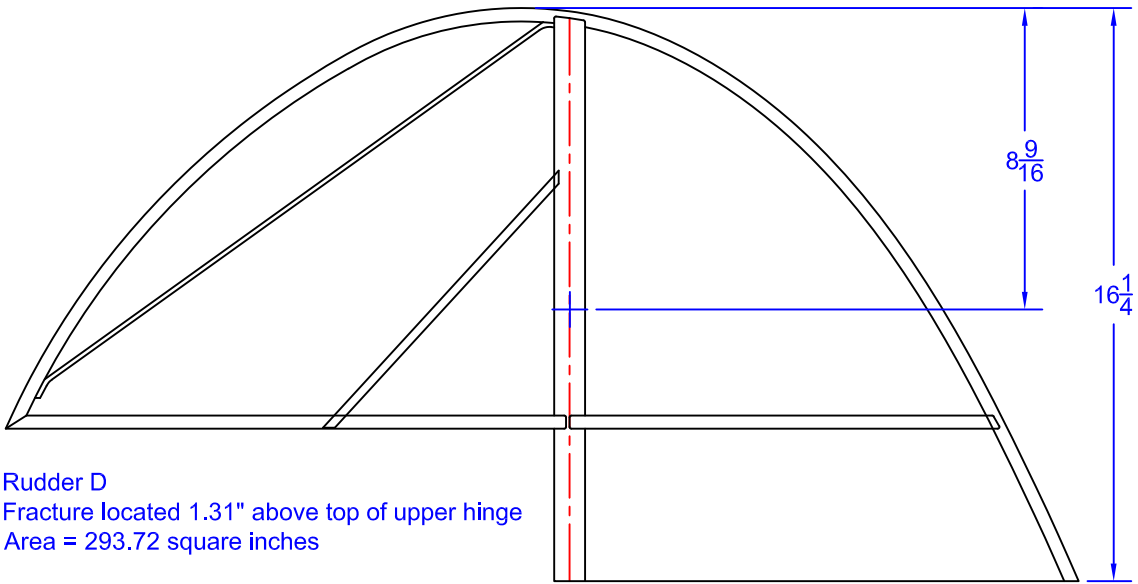
ANC20LA059

**Appendix A – Rudder Drawings
(3 pages)**

P/N 40622 Rudder (dimensions in inches)







Rudder D
Fracture located 1.31" above top of upper hinge
Area = 293.72 square inches