



NATIONAL TRANSPORTATION SAFETY BOARD

Office of Aviation Safety
Washington, D.C. 20594

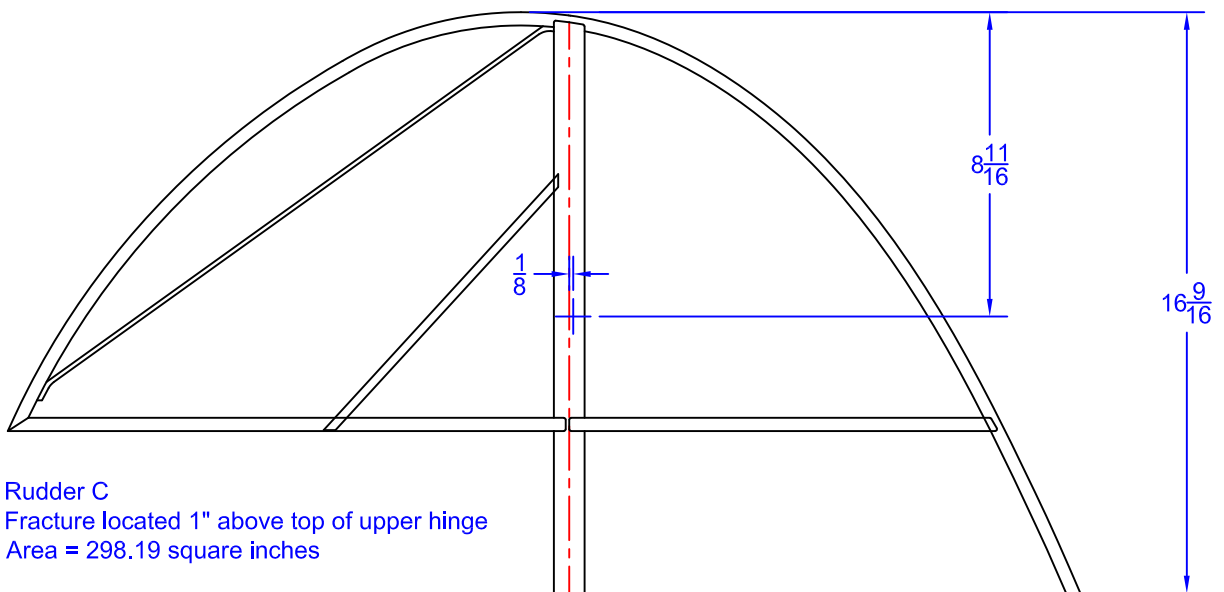
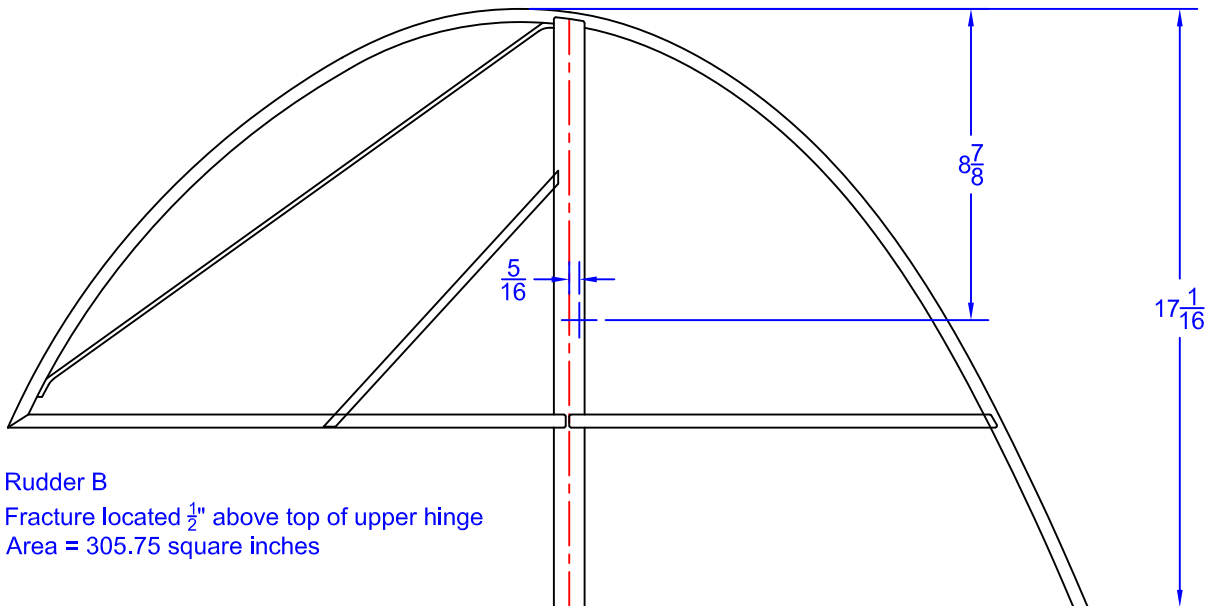
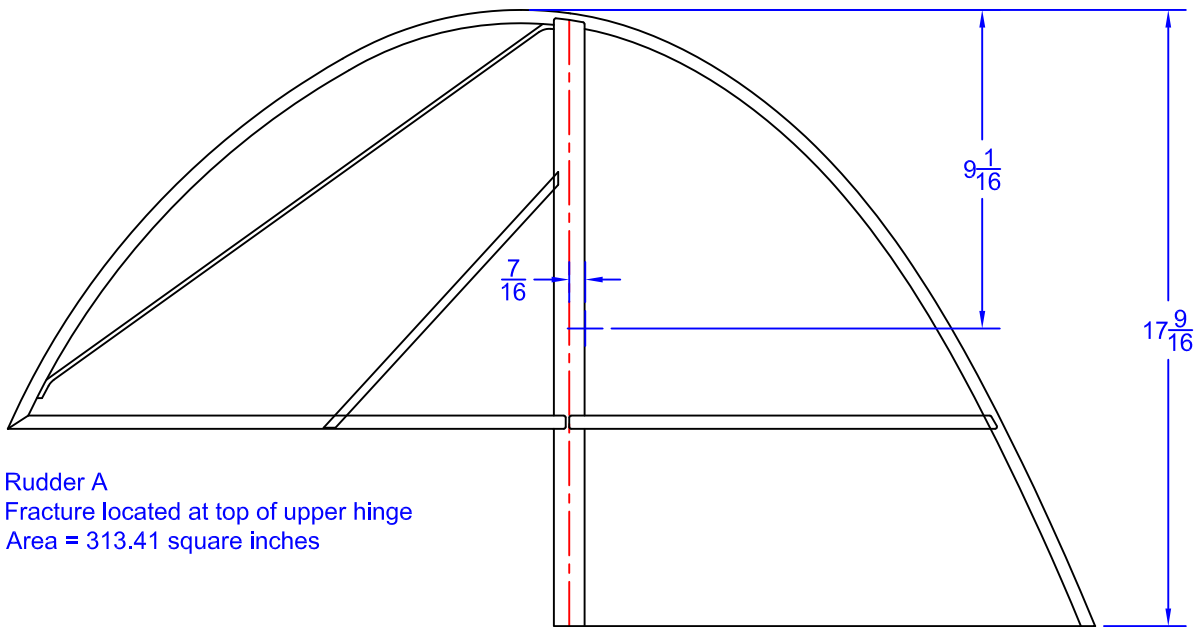
September 9, 2021

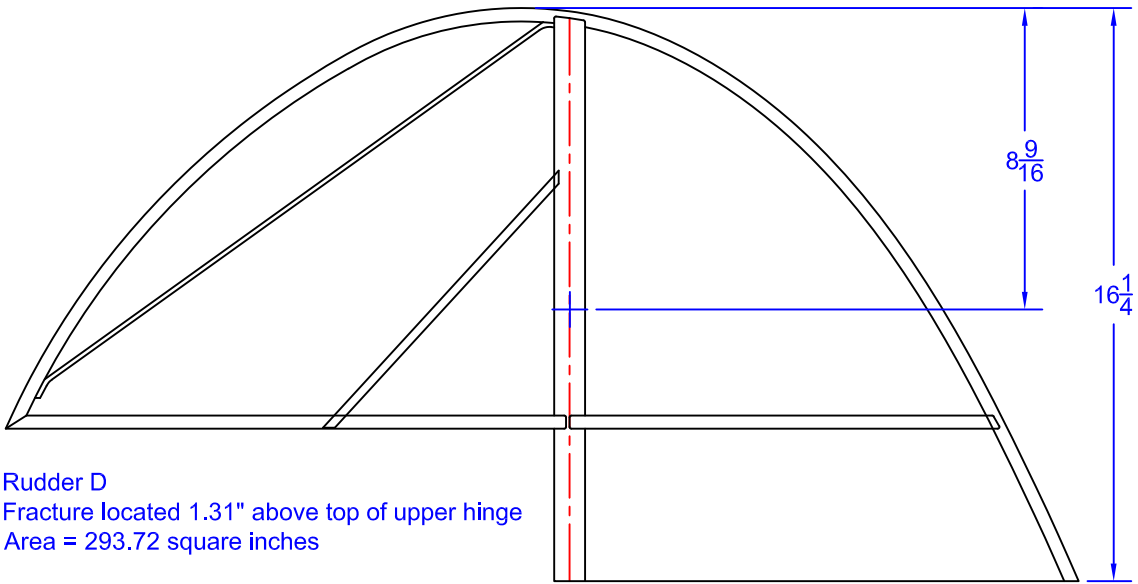
STRUCTURES

Group Chairman's Rudder Loads Study

ANC20LA059

**Appendix A – Rudder Drawings
(3 pages)**





Rudder D
Fracture located 1.31" above top of upper hinge
Area = 293.72 square inches