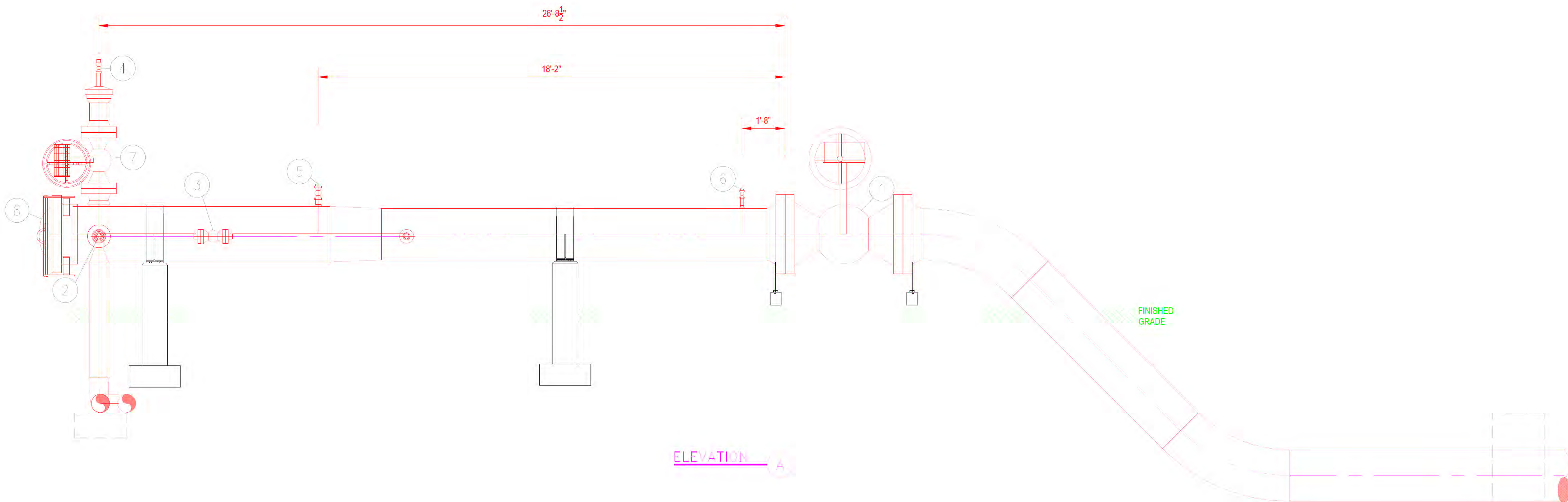
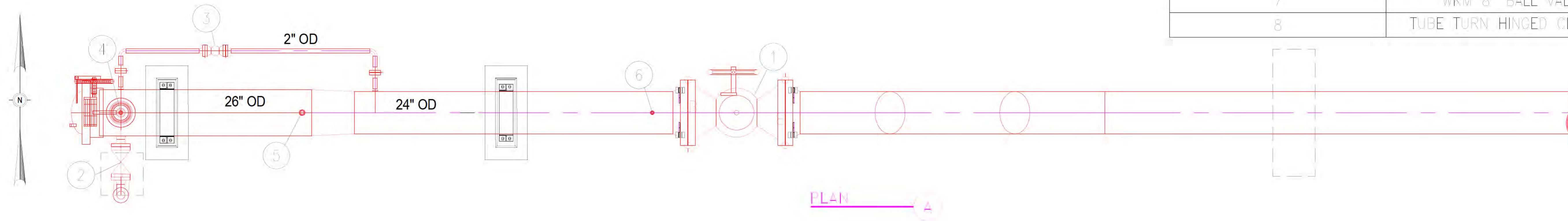


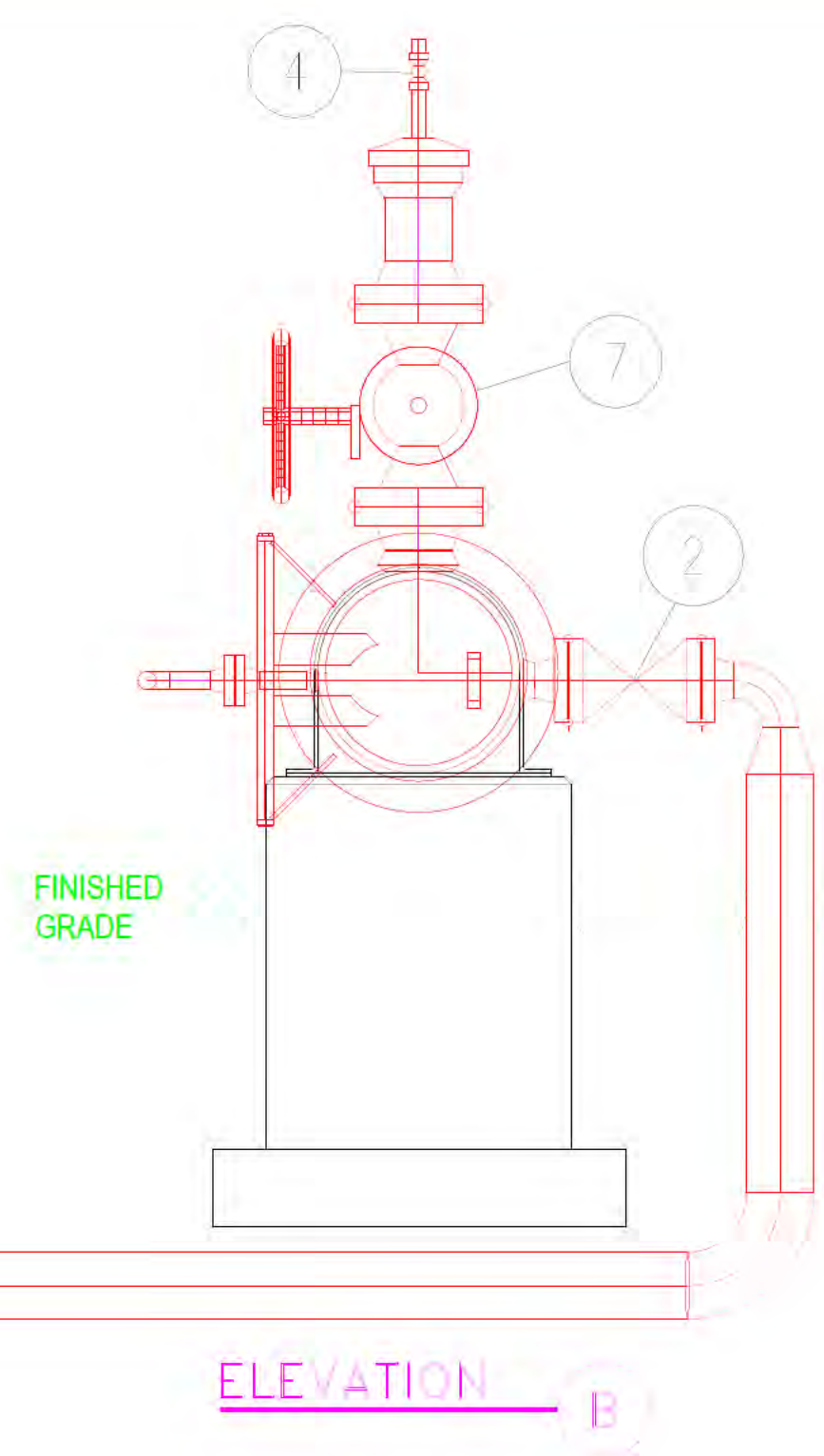
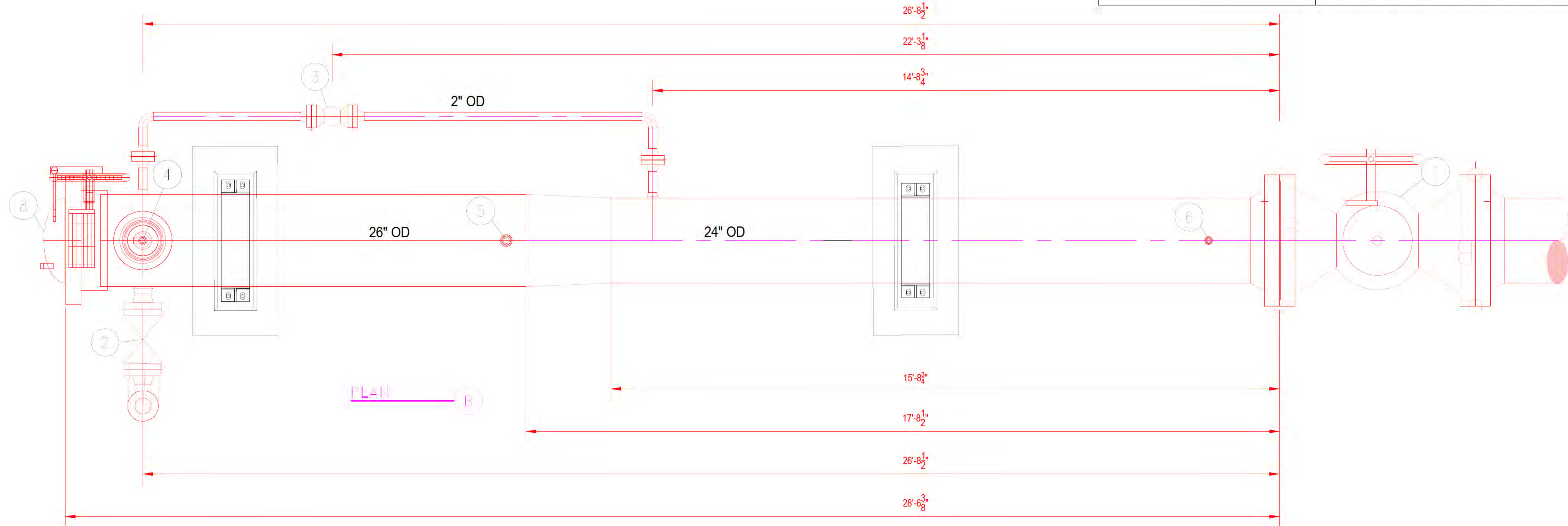
ITEM NUMBER	DESCRIPTION	AS FOUND AT TIME OF INCIDENT
1	CAMERON 24" MAIN LINE VALVE	CLOSED
2	FLOWERVE 4" KICKER VALVE	CLOSED
3	KF 2" BALL VALVE	OPEN
4	BALON 1" VALVE "A"	CLOSED
5	NORDSTROM 2" PLUG VALVE	CLOSED
6	BALON 1" VALVE "B"	OPEN
7	WKM 8" BALL VALVE	OPEN
8	TUBE TURN HINGED CLOSURE	OPEN



<b>ATMOS</b> energy		FARMERVILLE LAUNCHER #2	
PRJ. ENG.:	DATE:		
DRAWN BY:	09/08/21		
PROJECT No.	TRACKING ID:		
DRAWING No.	SHT. No. 1	OF 2	



ITEM NUMBER	DESCRIPTION	AS FOUND AT TIME OF INCIDENT
1	CAMERON 24" MAIN LINE VALVE	CLOSED
2	FLOWERVE 4" KICKER VALVE	CLOSED
3	KF 2" BALL VALVE	OPEN
4	BALON 1" VALVE "A"	CLOSED
5	NORDSTROM 2" PLUG VALVE	CLOSED
6	BALON 1" VALVE "B"	OPEN
7	WKM 8" BALL VALVE	OPEN
8	TUBE TURN HINGED CLOSURE	OPEN



<b>ATMOS</b> energy		FARMERVILLE LAUNCHER #2	
PROJ. ENG.:	DATE:		
DRAWN BY:	09/08/21		
PROJECT No.	TRACKING ID:		
DRAWING No.	SHT. No. 2	OF 2	