



**HIGHWAY FACTORS ATTACHMENT**

**Landscaping plans for the westbound Silver Lake rest stop completed in 1984**

**Highland, IL**

**HWY23MH015**

(5 pages)



STATE OF ILLINOIS  
DEPARTMENT OF TRANSPORTATION

ROUTE NO.	SEC.	COUNTY	TOTAL SHEETS	SHEET NO.
FAI 70	60-13 I-LS	MADISON	8	1
F. H. W. A. PROJ. NO. 2		ILLINOIS	PROJECT 62R-70-2(184)30	

P-98-092-70

INDEX OF SHEETS

1. TITLE & INDEX SHEET
2. SUMMARY OF QUANTITIES AND CONSTRUCTION DETAILS
3. PLAN SHEET - EASTBOUND SITE
4. PLAN SHEET - WESTBOUND SITE
5. PLAN SHEET
6. DETAIL SHEET - BUILDING SITES
7. CONCRETE PICNIC TABLE DETAILS
8. TREE BRACING DETAILS

STANDARDS:-

2205, 2298-7, 2299-10,  
2300-3, 2305-5, 2306-6,  
2307-6, 2313-5, 2314-5,  
2308-4

# PLANS FOR PROPOSED FEDERAL AID HIGHWAY

FAI ROUTE 70

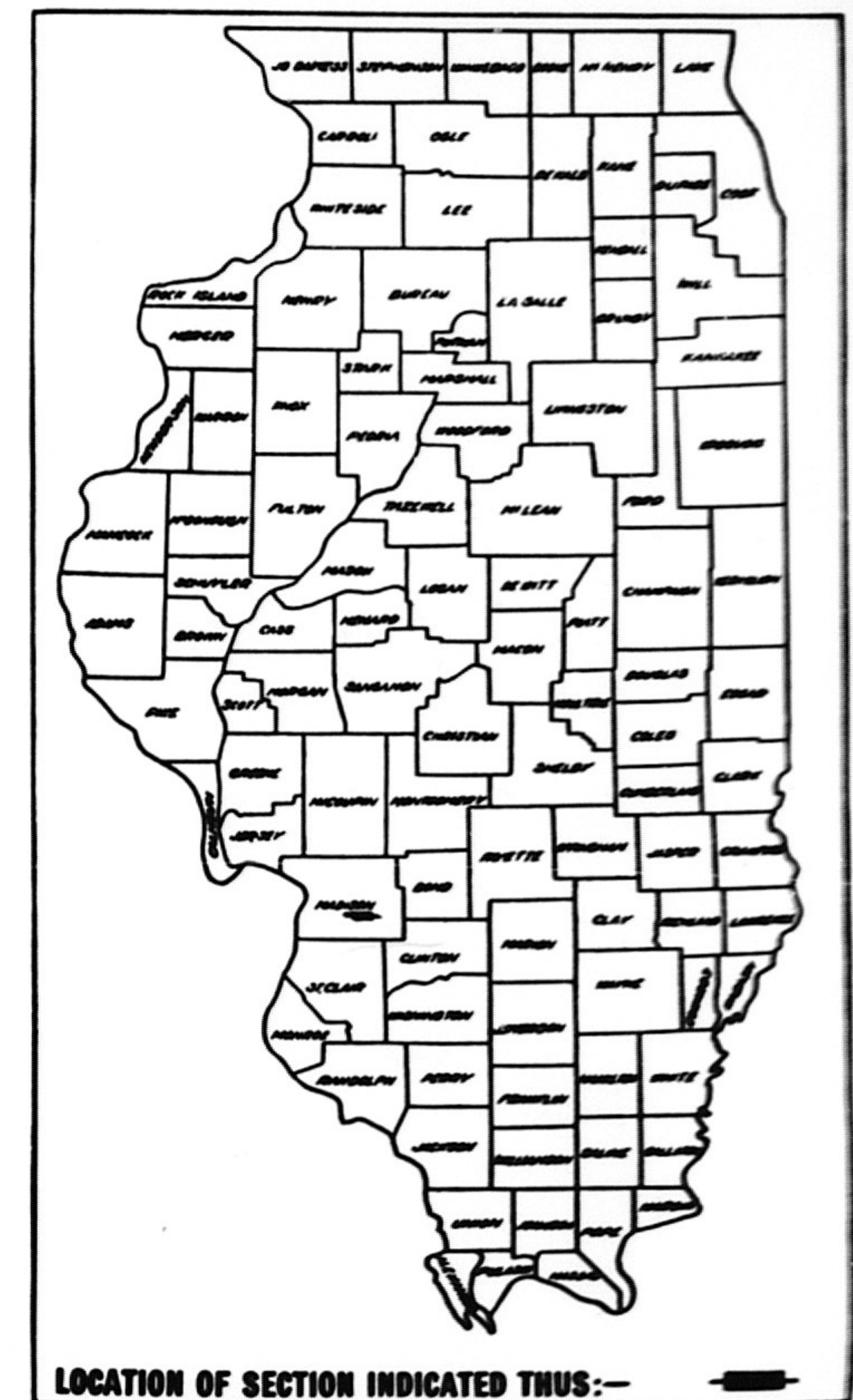
SECTION 60-13 I-LS

PROJ. ACIR-70-2(184)30

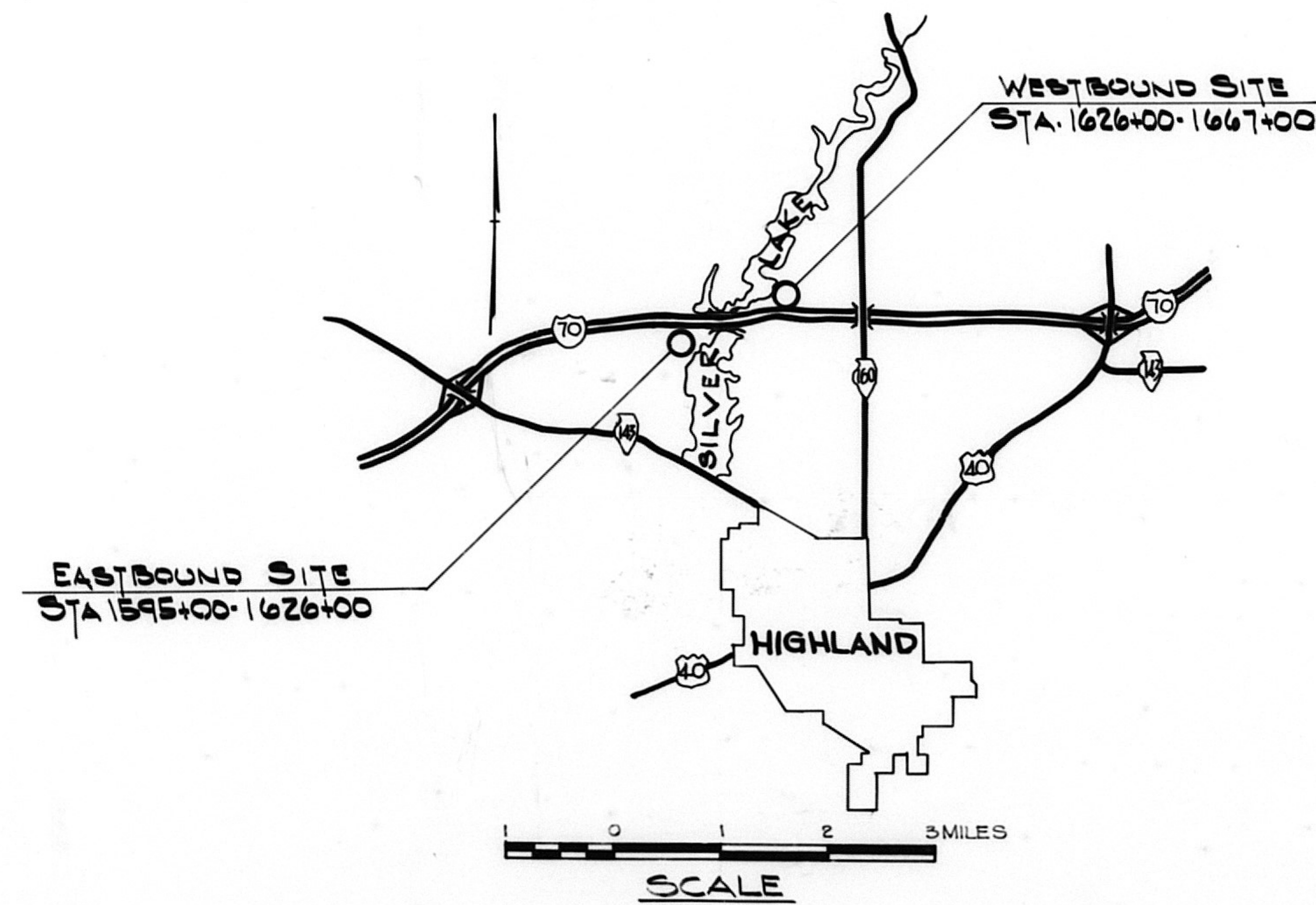
MADISON COUNTY

REST PARK LANDSCAPING

C-98-006-84



LOCATION OF SECTION INDICATED THUS:-



LENGTH OF PROJECT — 00.00' = 0.0 MI.

MICROFILMED \_\_\_\_\_  
REEL NUMBER \_\_\_\_\_  
AWARDED \_\_\_\_\_  
RESIDENT ENGINEER \_\_\_\_\_  
AS BUILT CHANGES WERE MADE  
ON THE FOLLOWING SHEETS

STATE OF ILLINOIS DEPARTMENT OF TRANSPORTATION	
SUBMITTED	4/10 81
EXAMINED	7/5 83
PASSED	7/18 83
APPROVED	7/21 83
DIRECTOR OF HIGHWAYS	

DEPARTMENT OF TRANSPORTATION FEDERAL HIGHWAY ADMINISTRATION	
APPROVED	
DIVISION ADMINISTRATOR	DATE

CONTRACT NO. 38326

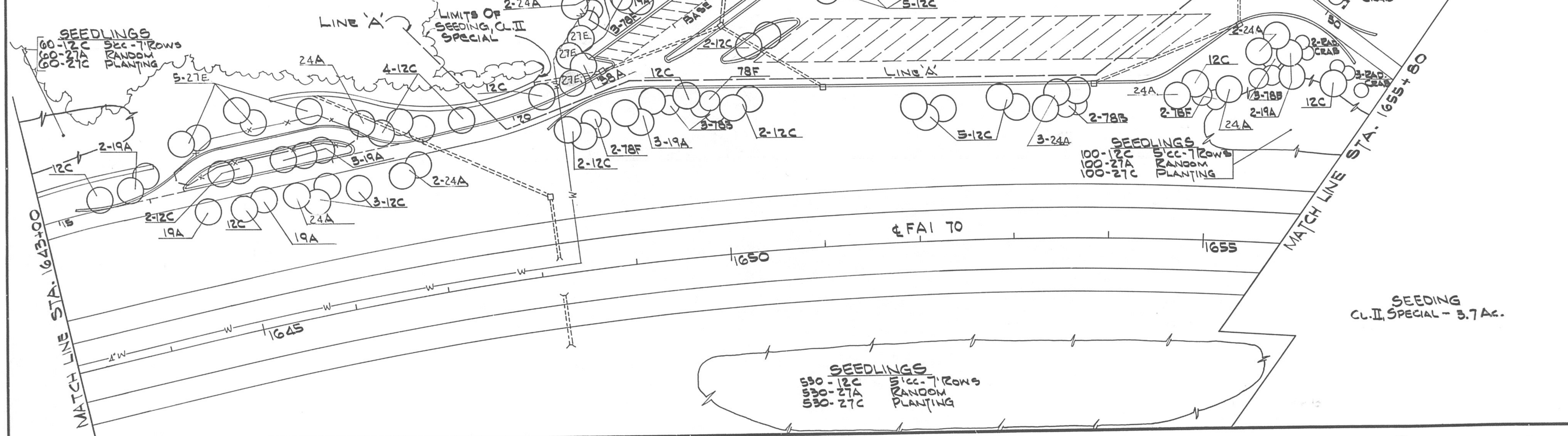


NOTE:-  
 ALL SHADE TREES ON THIS SHEET  
 NORTH OF THE REST AREA LINE  
 'A' SHALL BE 3'-3 1/2" BB.  
 ALL OTHER SHADE TREES SHALL  
 BE 1 1/2" - 1 3/4" BB.

☒ - DENOTES PICNIC TABLE  
 (12 ON THIS SHEET)

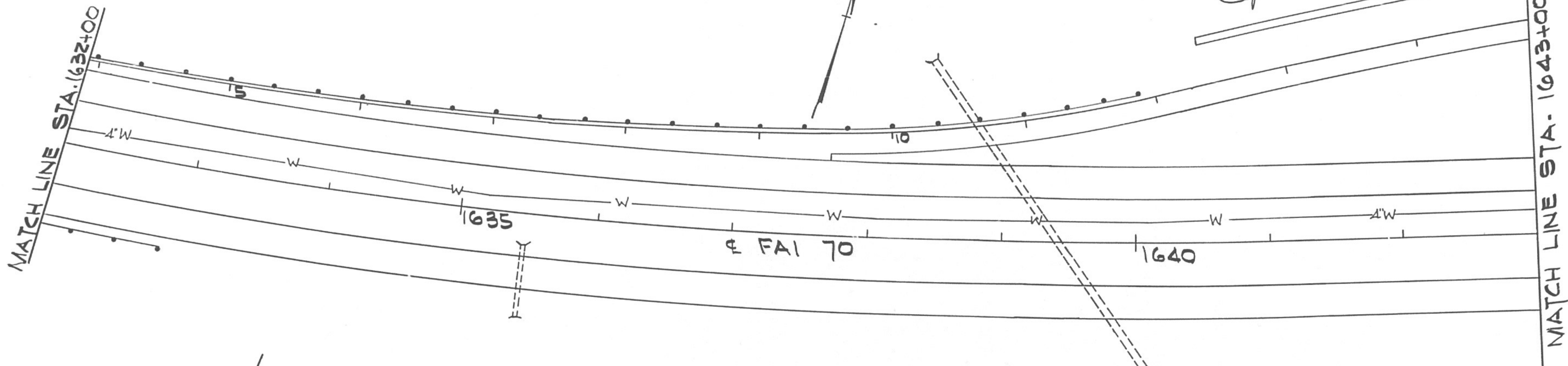
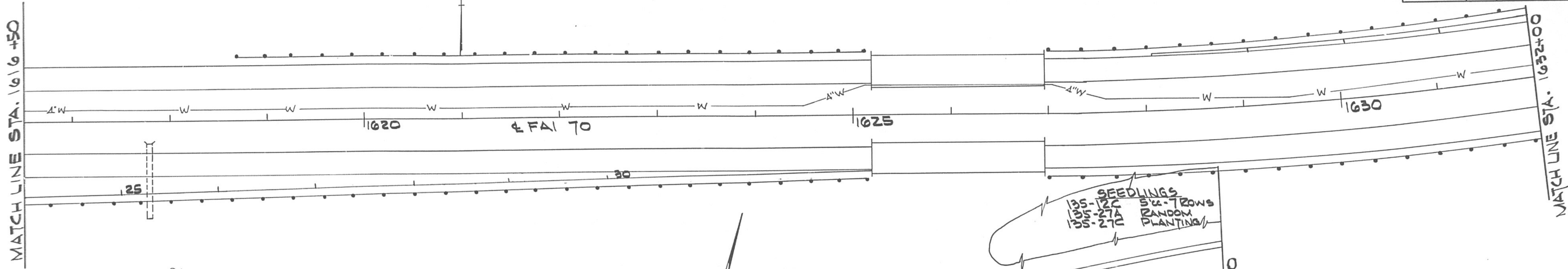
PLANT MATERIALS

QUAN.	KEY	BOTANICAL NAME	SIZE	COMMON NAME
267	1-K	ACER SACCHARUM	3'-3 1/2" BB	SUGAR MAPLE
267	12-C	FRAXINUS PENNSYLVANICA SUBINTEGERRIMA	1 1/2" - 1 3/4" BB	GREEN ASH
267	12-C	FRAXINUS PENNSYLVANICA SUBINTEGERRIMA	1 1/2" - 1 3/4" BB	GREEN ASH
267	19-A	LIRIODENDRON TULIPIFERA	1 1/2" - 1 3/4" BB	TULIP TREE
267	19-A	LIRIODENDRON TULIPIFERA	1 1/2" - 1 3/4" BB	TULIP TREE
267	27-A	QUERCUS ALBA	1 1/2" - 1 3/4" BB	WHITE OAK
267	24-A	PLATANUS ACERIFOLIA	1 1/2" - 1 3/4" BB	LONDON PLANE TREE
267	24-A	PLATANUS ACERIFOLIA	1 1/2" - 1 3/4" BB	LONDON PLANE TREE
267	27-E	QUERCUS IMBRICARIA	1 1/2" - 1 3/4" BB	SHINGLE OAK
267	27-E	QUERCUS IMBRICARIA	1 1/2" - 1 3/4" BB	SHINGLE OAK
267	38-A	SOPHORA JAPONICA	1 1/2" - 1 3/4" BB	JAP. PAGODA TREE
267	52-Z	MALUS SNOWDRIFT	1 1/2" - 1 3/4" BB	SNOWDRIFT CRAB
267	18-B	MALUS RADIANT	1 1/2" - 1 3/4" BB	RADIANT CRAB
267	18-B	MALUS RADIANT	1 1/2" - 1 3/4" BB	RADIANT CRAB
267	12-C	PINUS NIGRA	1 1/2" - 1 3/4" BB	AUSTRIAN PINE
267	27-A	FRAXINUS PENNSYLVANICA SUBINTEGERRIMA	1 1/2" - 1 3/4" BB	GREEN ASH
267	27-A	FRAXINUS PENNSYLVANICA SUBINTEGERRIMA	1 1/2" - 1 3/4" BB	GREEN ASH
267	21-C	QUERCUS ALBA	1 1/2" - 1 3/4" BB	WHITE OAK
267	21-C	QUERCUS RUBRA	1 1/2" - 1 3/4" BB	RED OAK

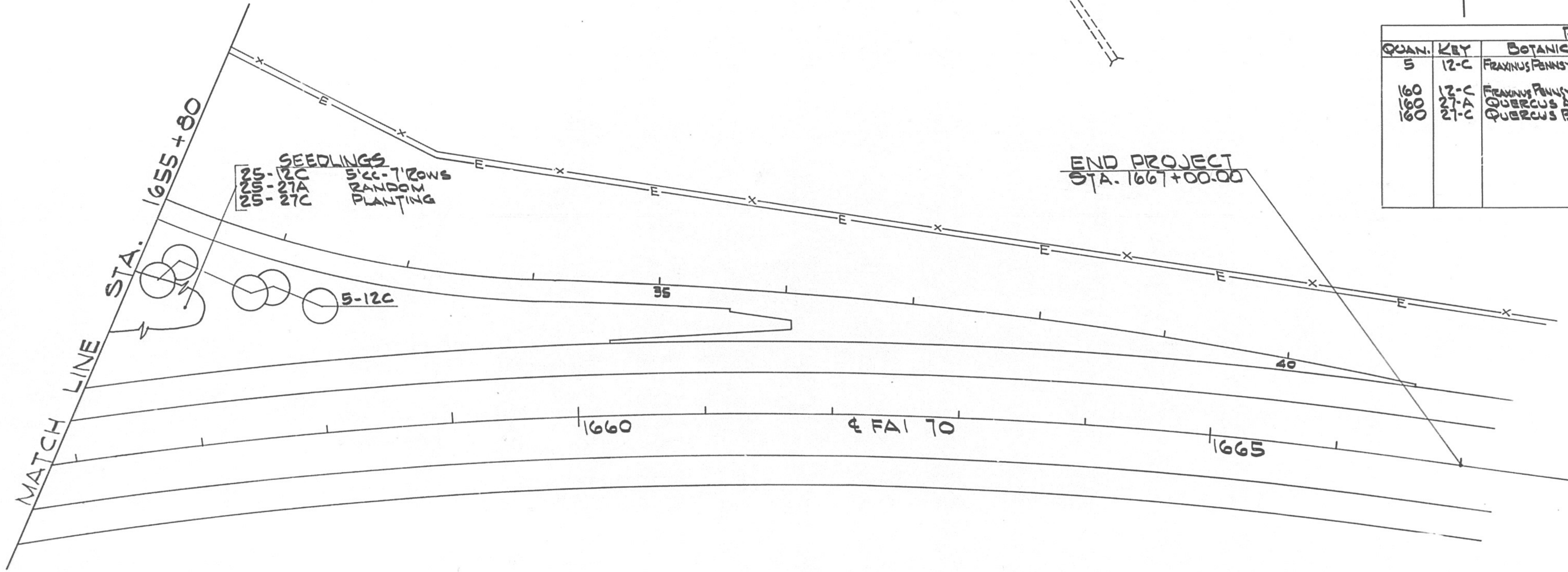


SEEDLING CL. II, SPECIAL - 3.7 AC.





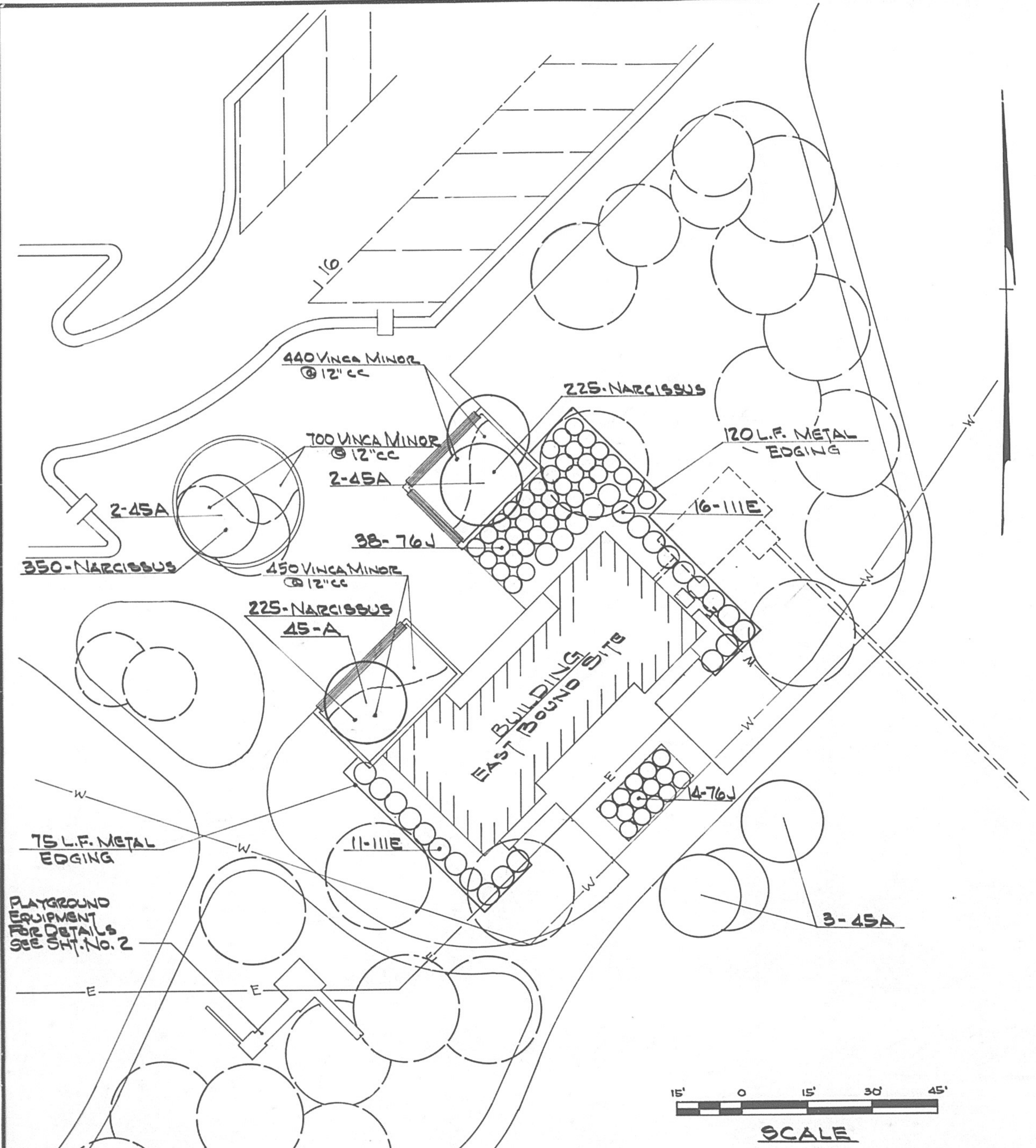
SEEDLINGS  
 135-12C 5' x 7' ROWS  
 135-27A RANDOM  
 135-27C PLANTING



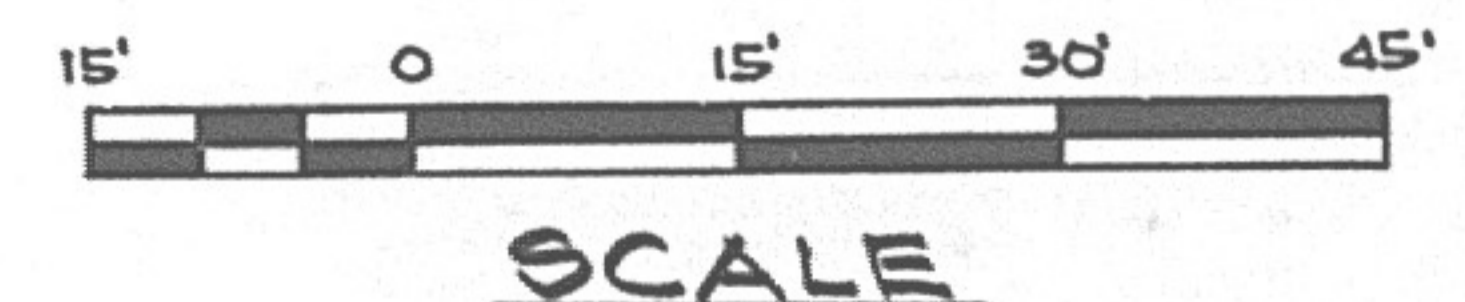
PLANT MATERIALS			
QUAN.	KEY	BOTANICAL NAME	COMMON NAME
5	12-C	FRAXINUS PENNSYLVANICA SUBINTEGERIMA	GREEN ASH
160	27-A	FRAXINUS PENNSYLVANICA SUBINTEGERIMA	2 YR. GREEN ASH
160	27-B	QUERCUS ALBA	3 YR. WHITE OAK
	27-C	QUERCUS BOREALIS	3 YR. RED OAK



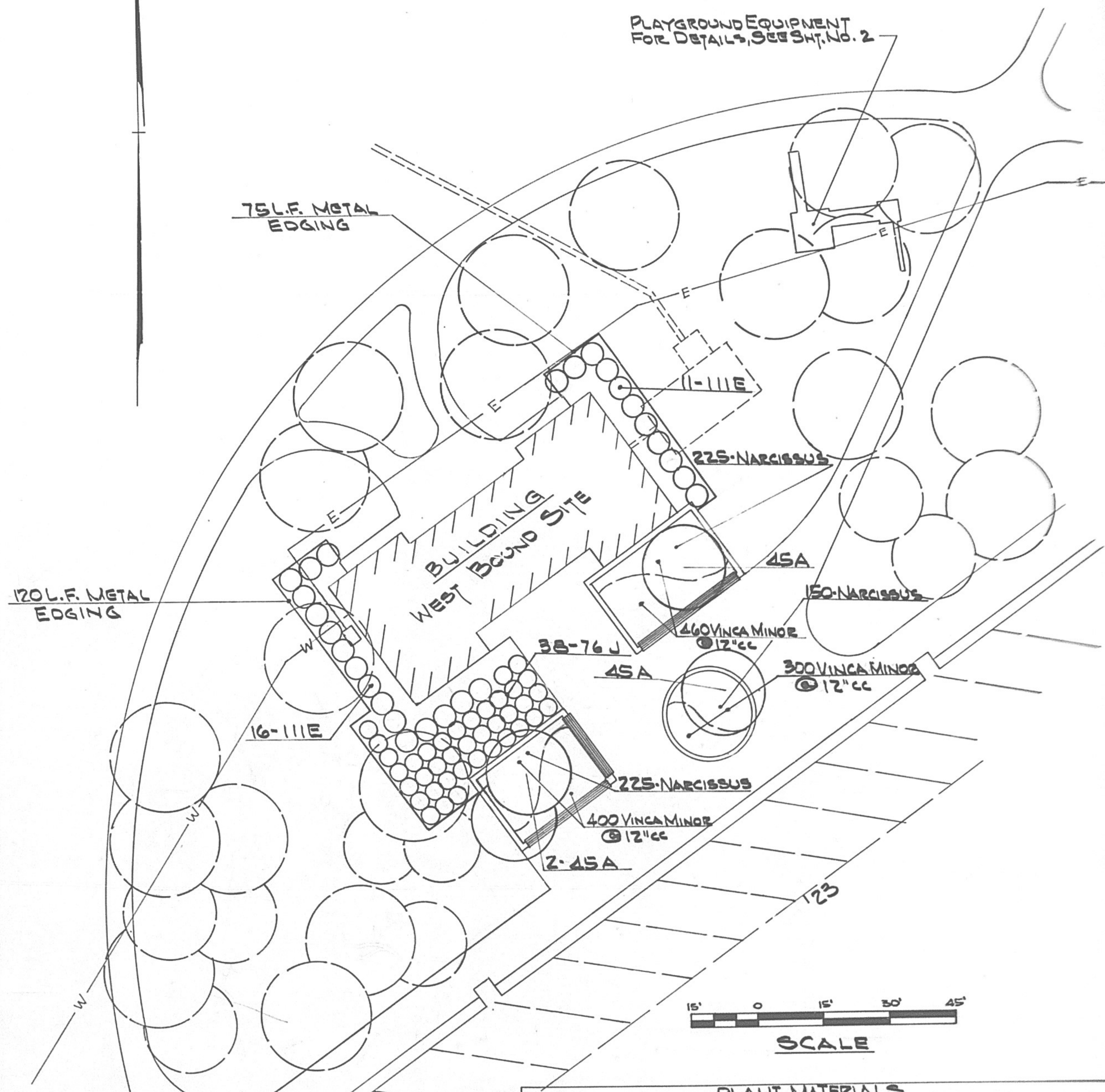




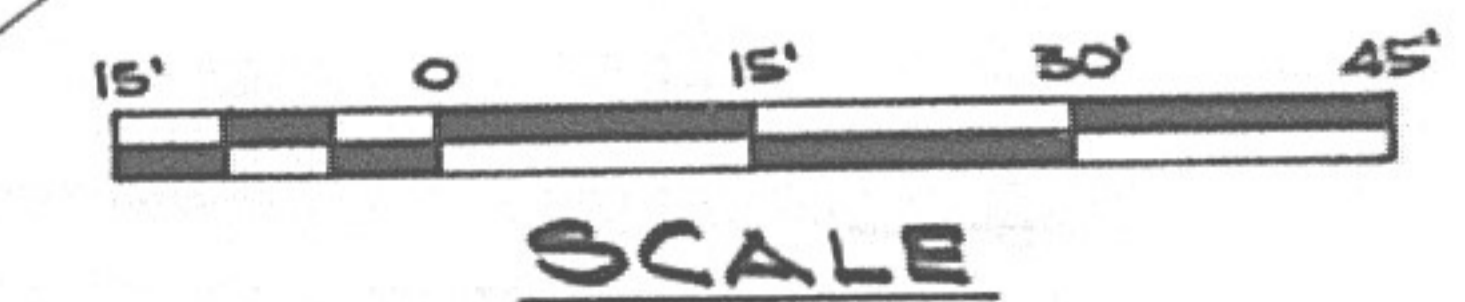
PLAYGROUND EQUIPMENT FOR DETAILS, SEE SH. NO. 2



PLANT MATERIALS				
QUAN.	KEY	BOTANICAL NAME	SIZE	COMMON NAME
* 8	45-A	CERCIS CANADENSIS	7'-8'BB	REDBUD
52	76-J	JUNIPERUS CHINENSIS SARGENTI	1 1/2'-2'BB	SARGENT JUNIPER
27	111-E	EUONYMUS ALATA COMPACTA	3'-4'BB	DWARF EBONYMOUS
1500		VINCA MINOR	2YR.#1	PERIWINKLE
800		NARCISSUS	ONI-RD1	NARCISSUS
* MULTI-STEM				



PLAYGROUND EQUIPMENT FOR DETAILS, SEE SH. NO. 2



PLANT MATERIALS				
QUAN.	KEY	BOTANICAL NAME	SIZE	COMMON NAME
* 4	45-A	CERCIS CANADENSIS	7'-8'BB	REDBUD
38	76-J	JUNIPERUS CHINENSIS SARGENTI	1 1/2'-2'BB	SARGENT JUNIPER
27	111-E	EUONYMUS ALATA COMPACTA	3'-4'BB	DWARF EBONYMOUS
1160		VINCA MINOR	2YR.#1	PERIWINKLE
600		NARCISSUS	ONI-RD1	NARCISSUS
* MULTI-STEM				