

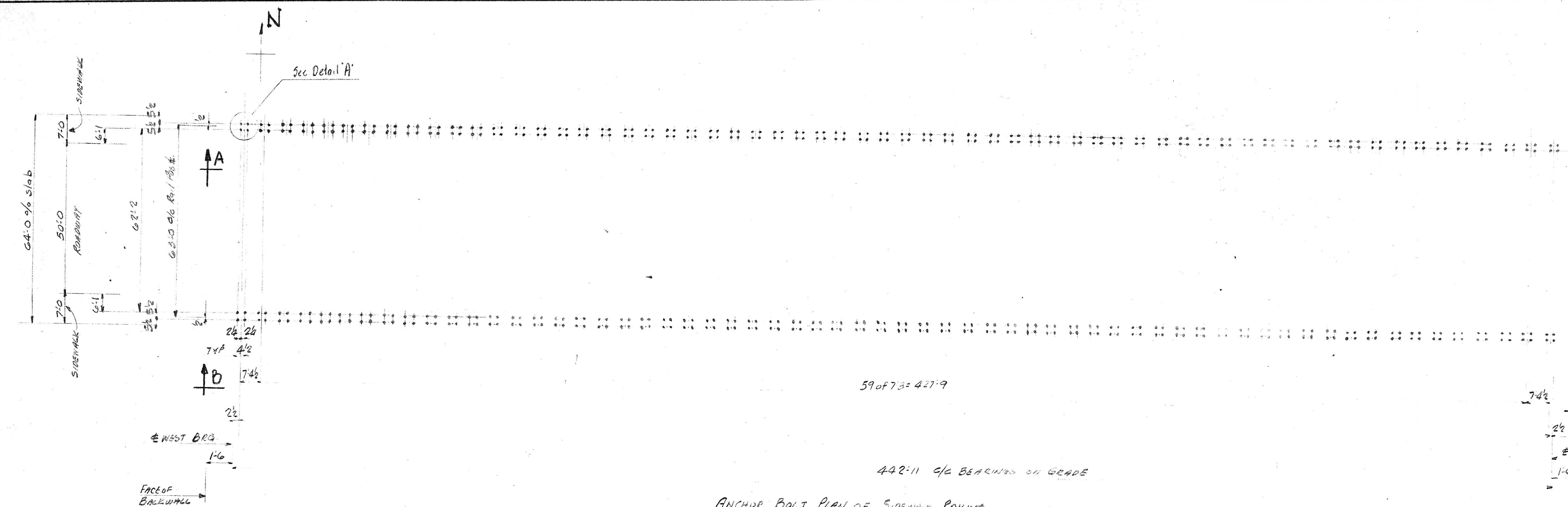


Fern Hollow Bridge Shop Drawings

Pittsburgh, PA

HWY22MH003

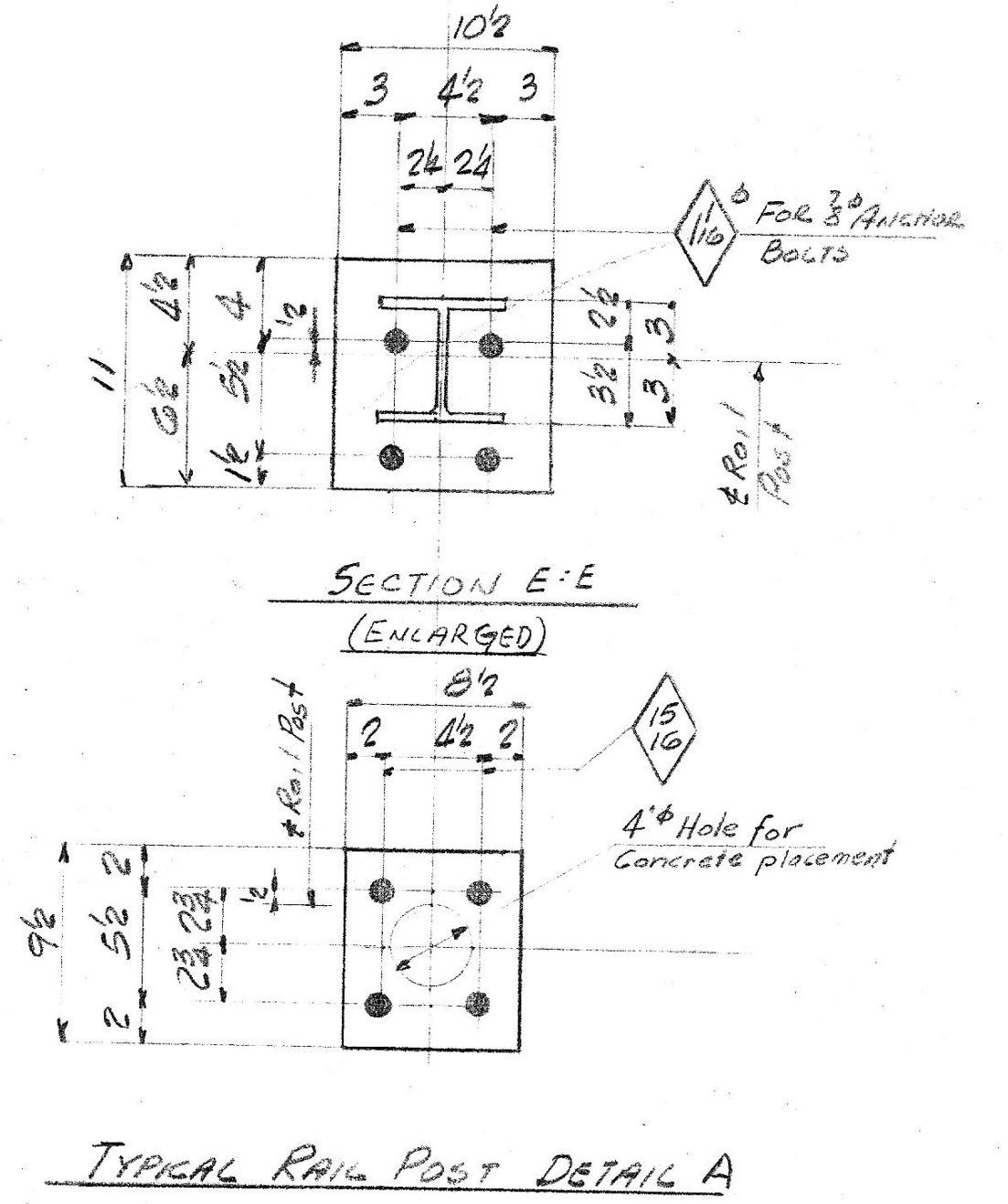
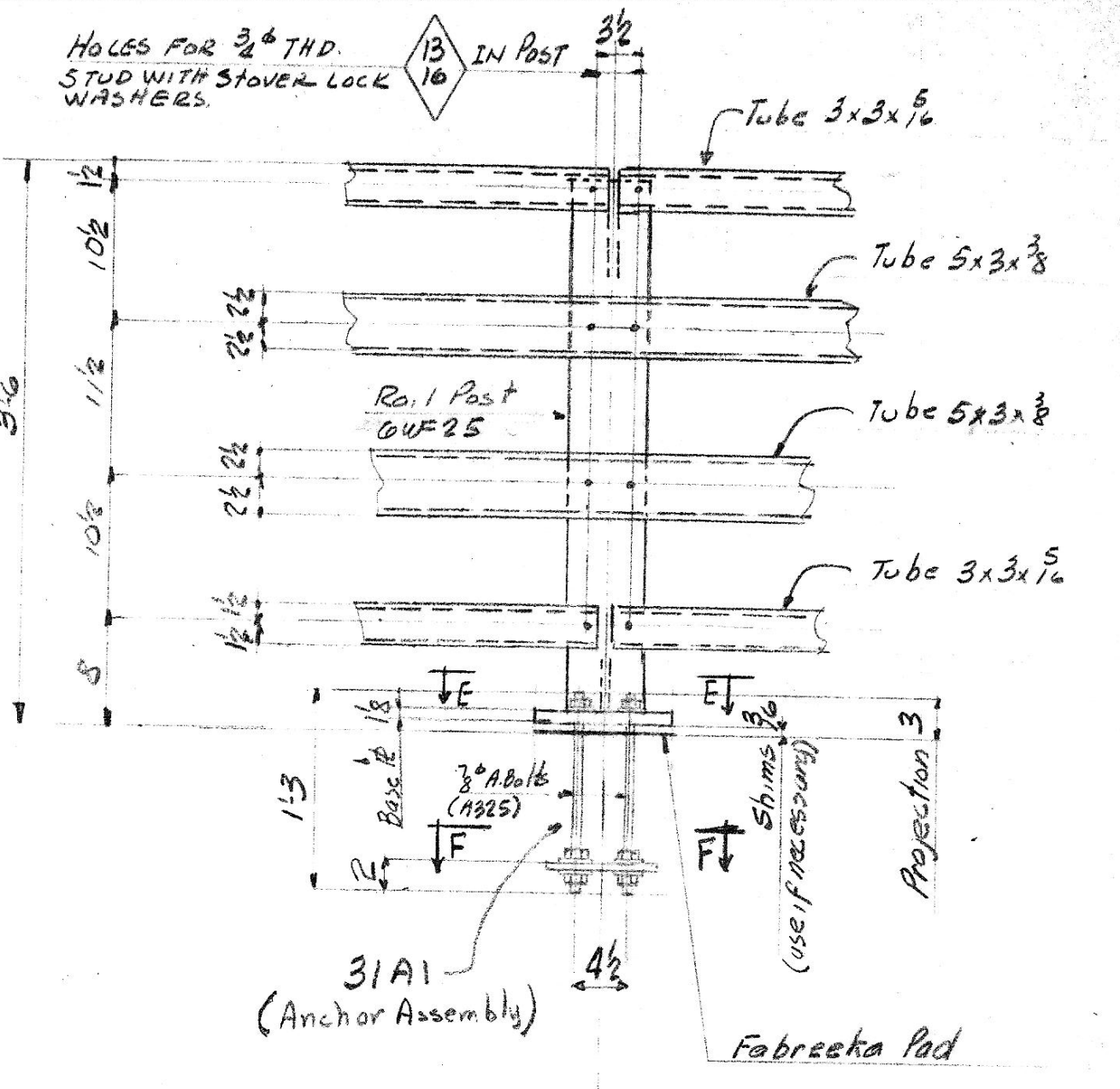
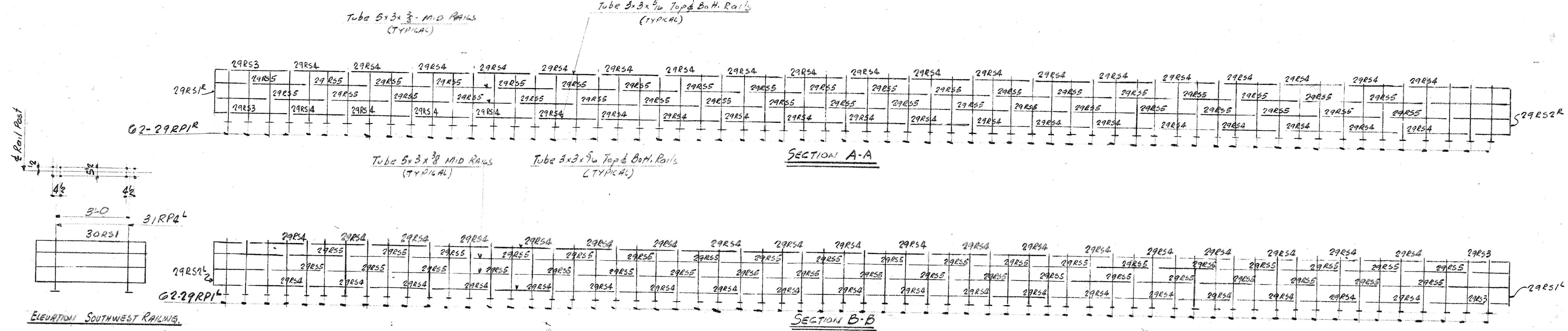
(8 pages)



59 of 73 = 427.9

442.11 C/G BEARINGS ON GRADE

ANCHOR BOLT PLAN OF SIDEWALK RAILING



F-9291 E-9-2

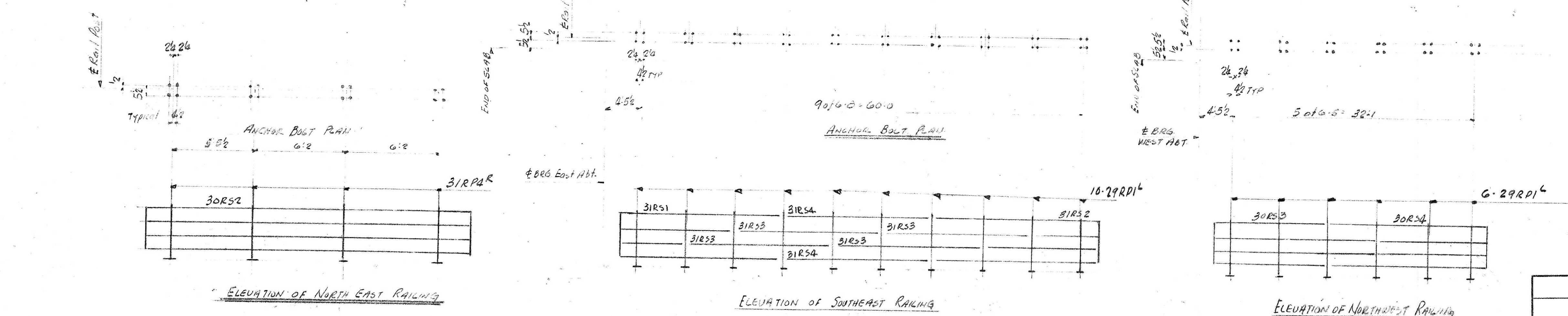
NOTE:
ALL DIMENSIONS SHALL BE TAKEN
VERTICAL FROM \pm OF BEARINGS

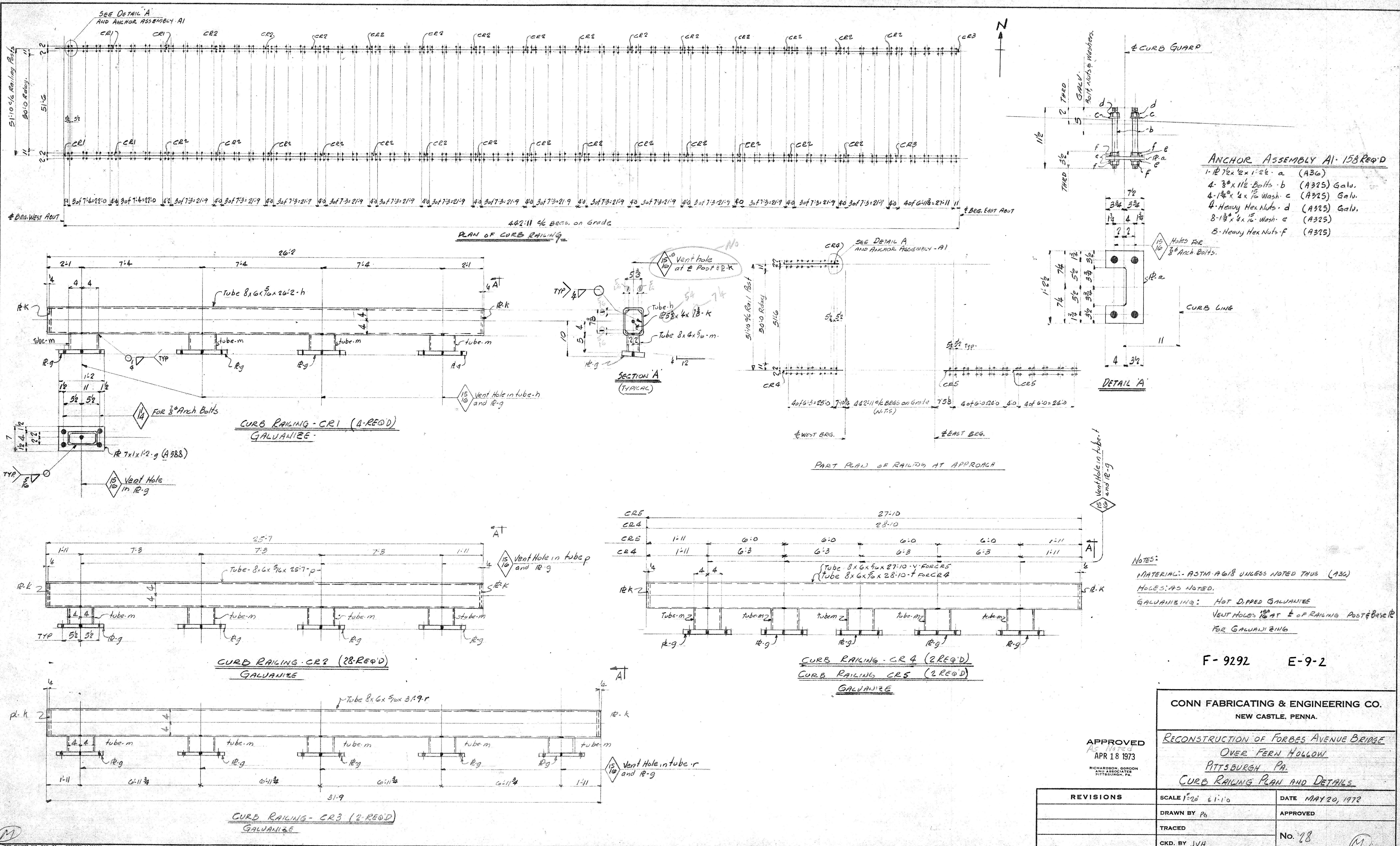
CONN FABRICATING & ENGINEERING CO.
NEW CASTLE, PENNA.

RECONSTRUCTION OF FORBES AVENUE BRIDGE
OVER FERN HOLLOW
PITTSBURGH, PA.
ERECTION PLAN OF HANDRAIL

APPROVED
APR 18 1973
RICHARDSON, GORDON
& ASSOCIATES
PITTSBURGH, PA.

REVISIONS	SCALE	DATE
		2/13/73
	DRAWN BY PG	APPROVED
	TRACED	
	CKD. BY	No. E4





- ANCHOR ASSEMBLY A1-158 REQ'D**
- 1- 1/2" x 2" x 1/2" - a (A306)
 - 4- 3/8" x 1/2" Bolts - b (A325) Galv.
 - 4- 1 1/4" x 1/4" x 1/8" Wash - c (A325) Galv.
 - 4- Heavy Hex Nuts - d (A325) Galv.
 - 8- 1/2" x 1/4" x 1/8" Wash - e (A325)
 - 8- Heavy Hex Nuts - f (A325)

NOTES:

- MATERIALS - ASTM A618 UNLESS NOTED THUS (A36)
- HOLDS: AS NOTED.
- GALVANIZING: HOT DIPPED GALVANIZING
- VENT HOLES 1/2" AT # OF RAILING POST & BASE PLATE FOR GALVANIZING

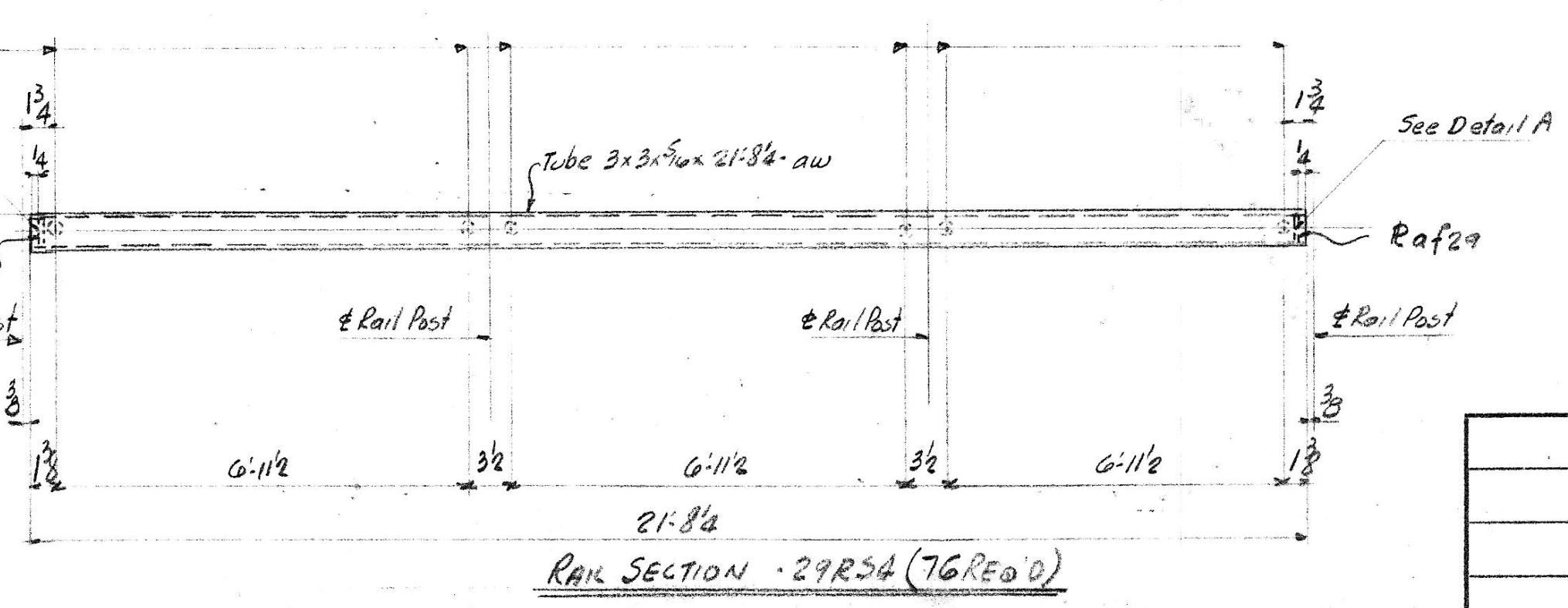
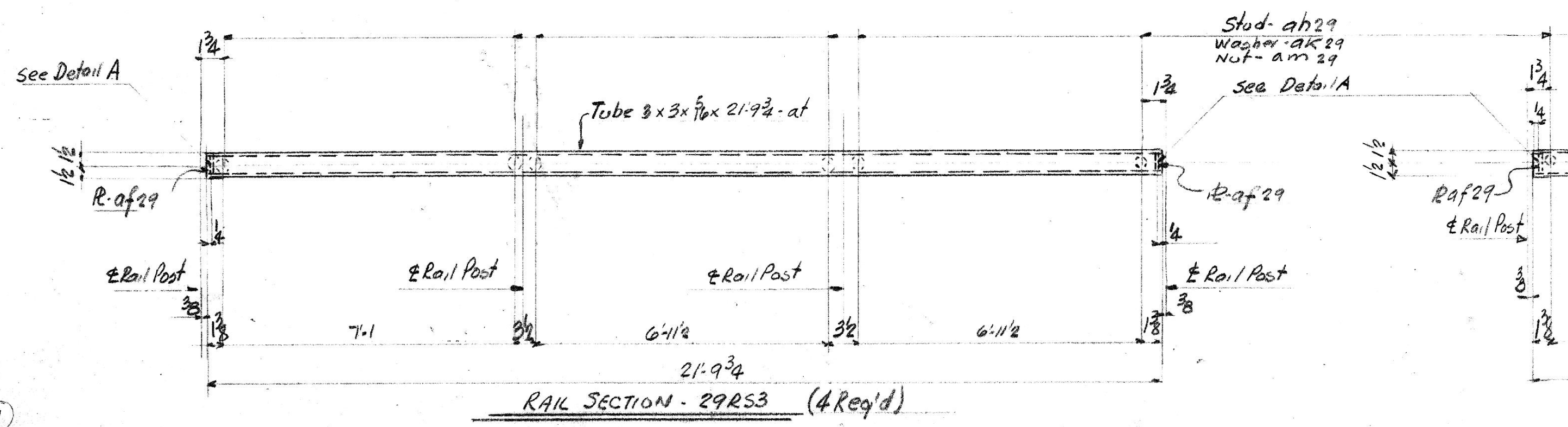
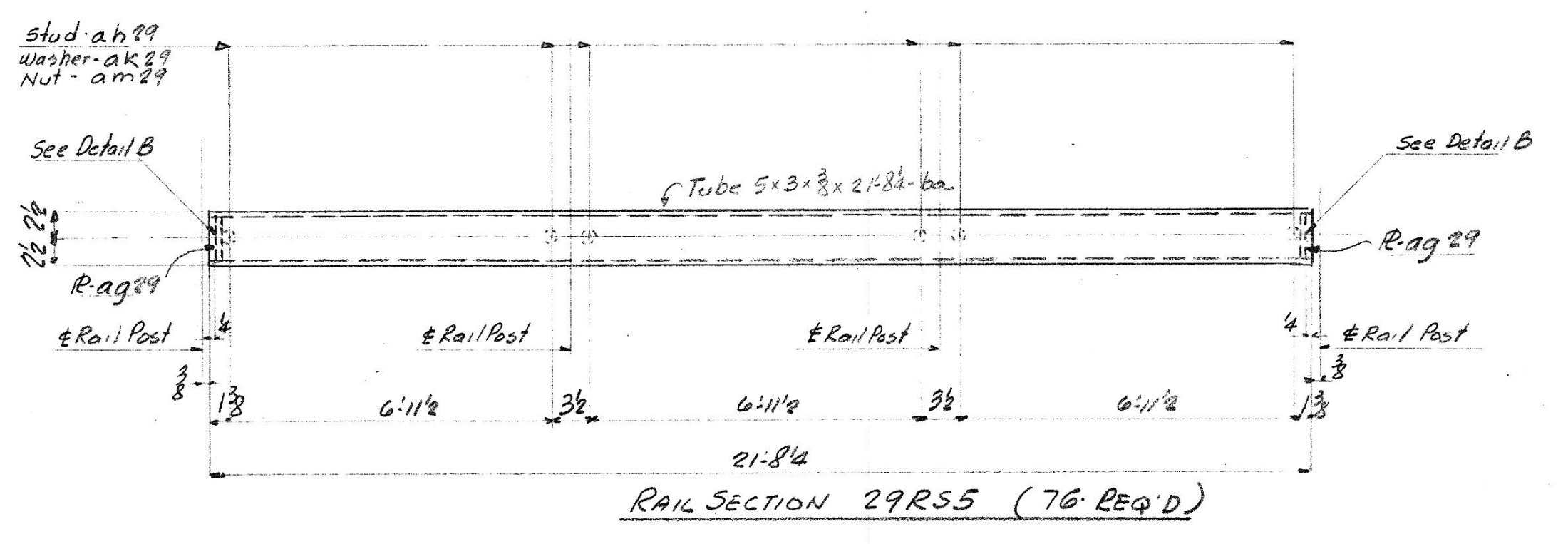
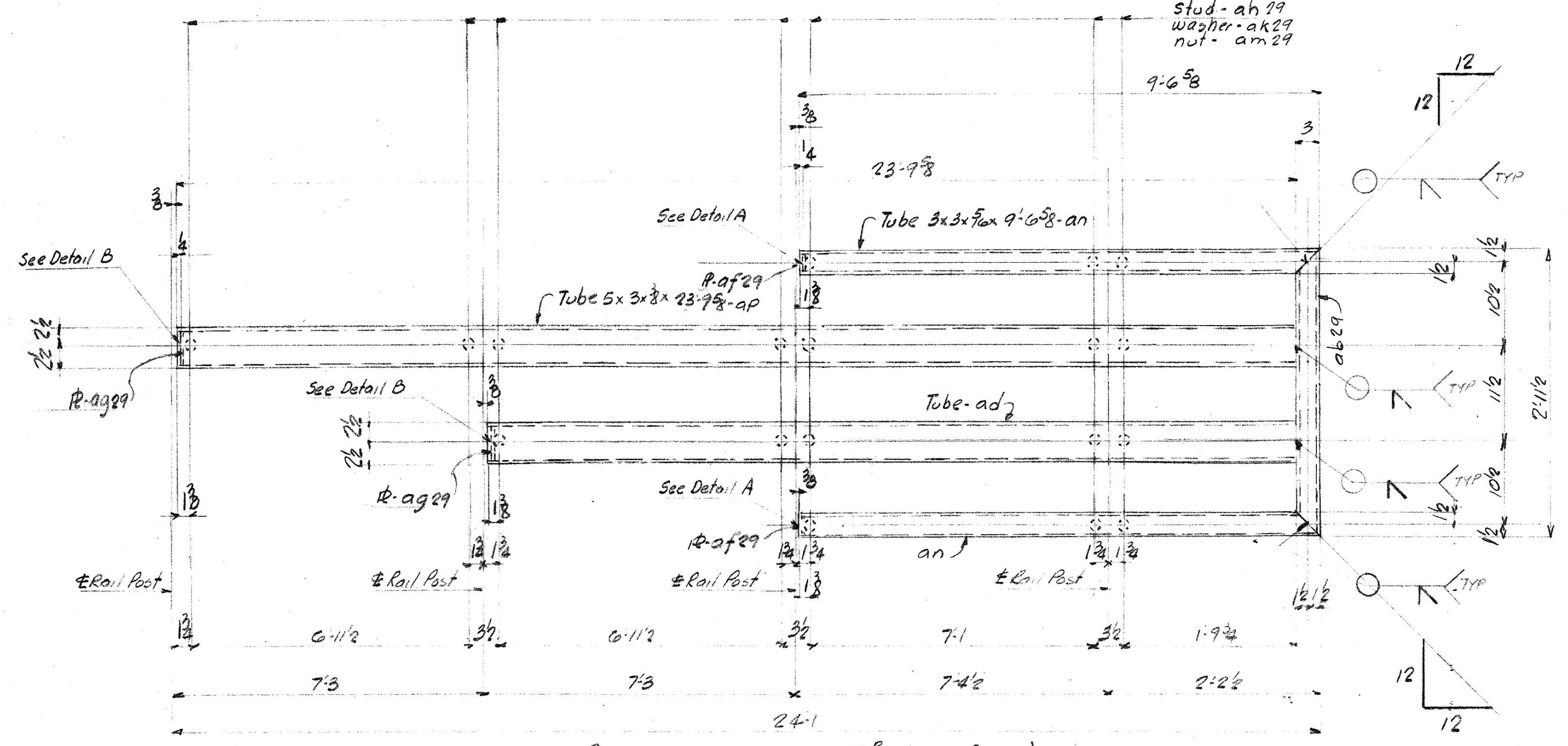
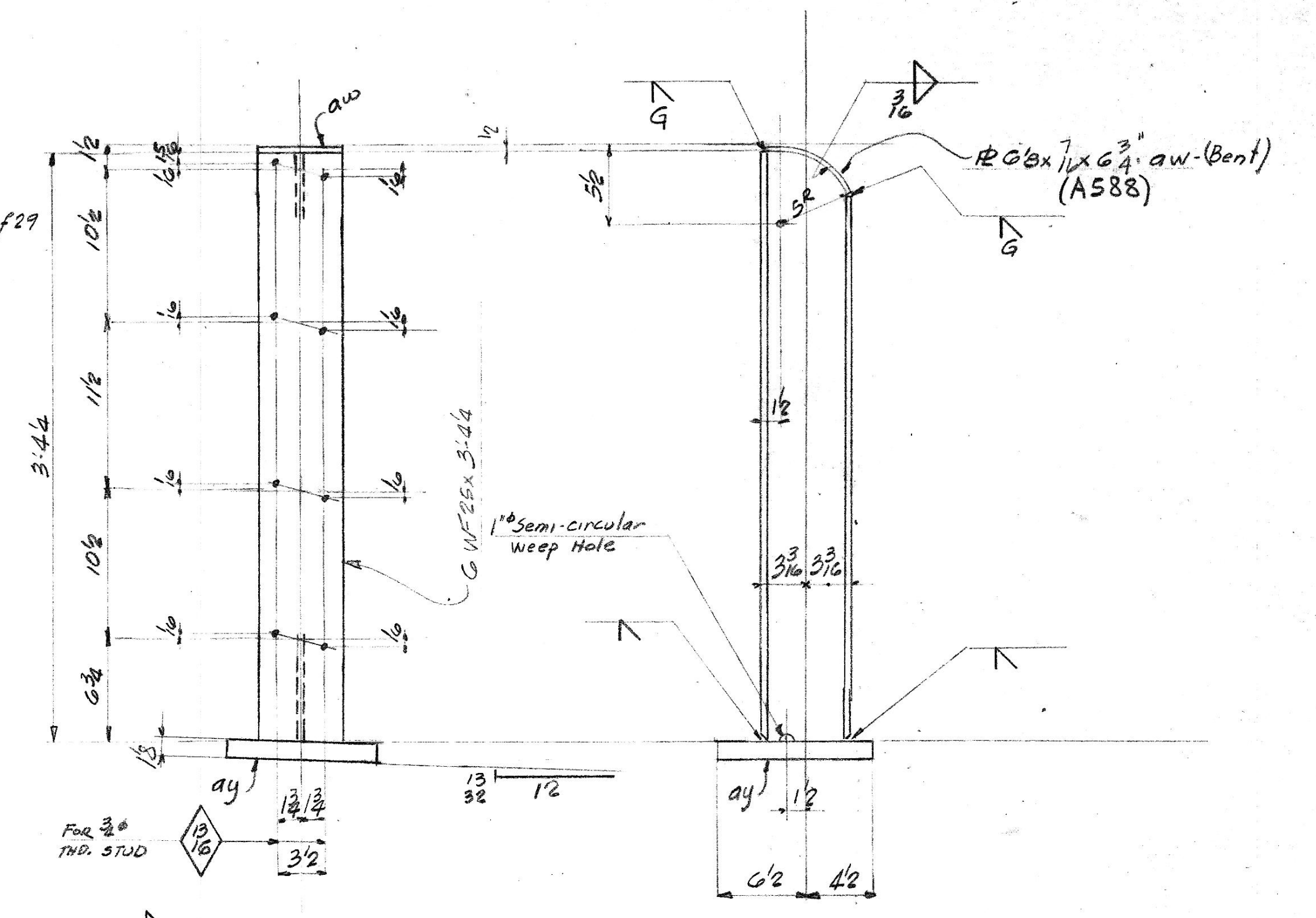
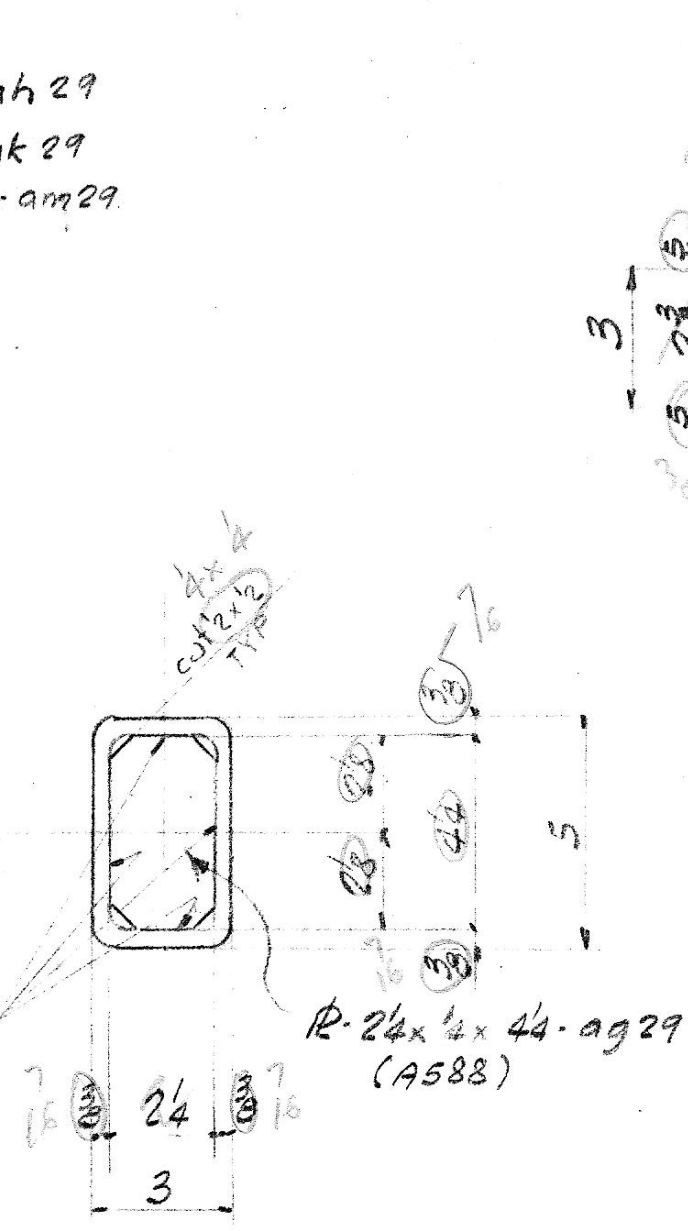
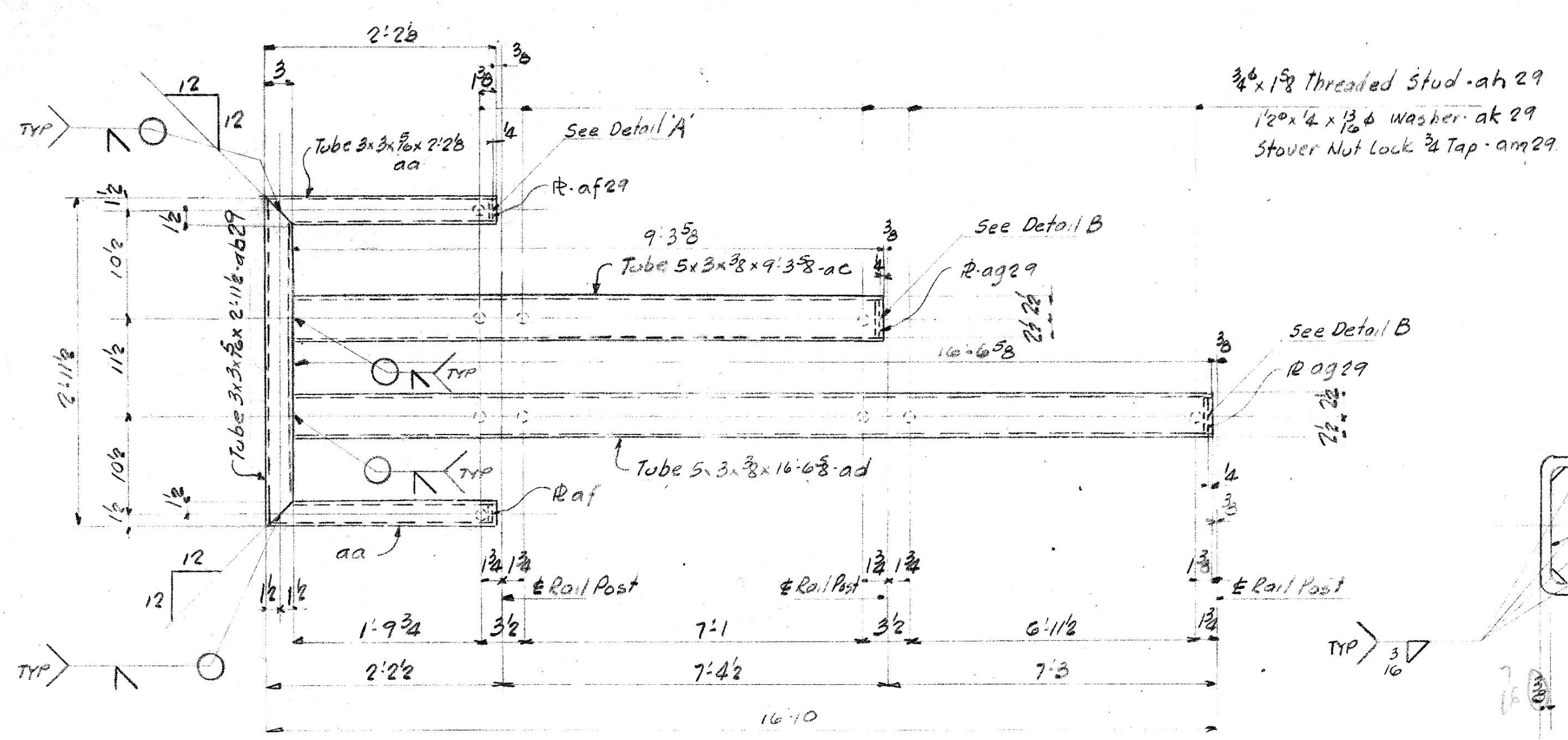
F-9292 E-9-2

CONN FABRICATING & ENGINEERING CO.
 NEW CASTLE, PENNA.

**RECONSTRUCTION OF FORBES AVENUE BRIDGE
 OVER FERN HOLLOW
 PITTSBURGH, PA.
 CURB RAILING PLAN AND DETAILS**

APPROVED
 APR 18 1973
 RICHARDSON, GORDON
 AND ASSOCIATES
 PITTSBURGH, PA.

REVISIONS	SCALE 1/2" = 6'-10"	DATE MAY 20, 1972
	DRAWN BY P6	APPROVED
	TRACED	No. 28
	CKD. BY JVH	



Material: ASTM A18 Grade 1 unless
Noted (A588)
Open Holes - As Noted
Paint - One (1) Shop Coat

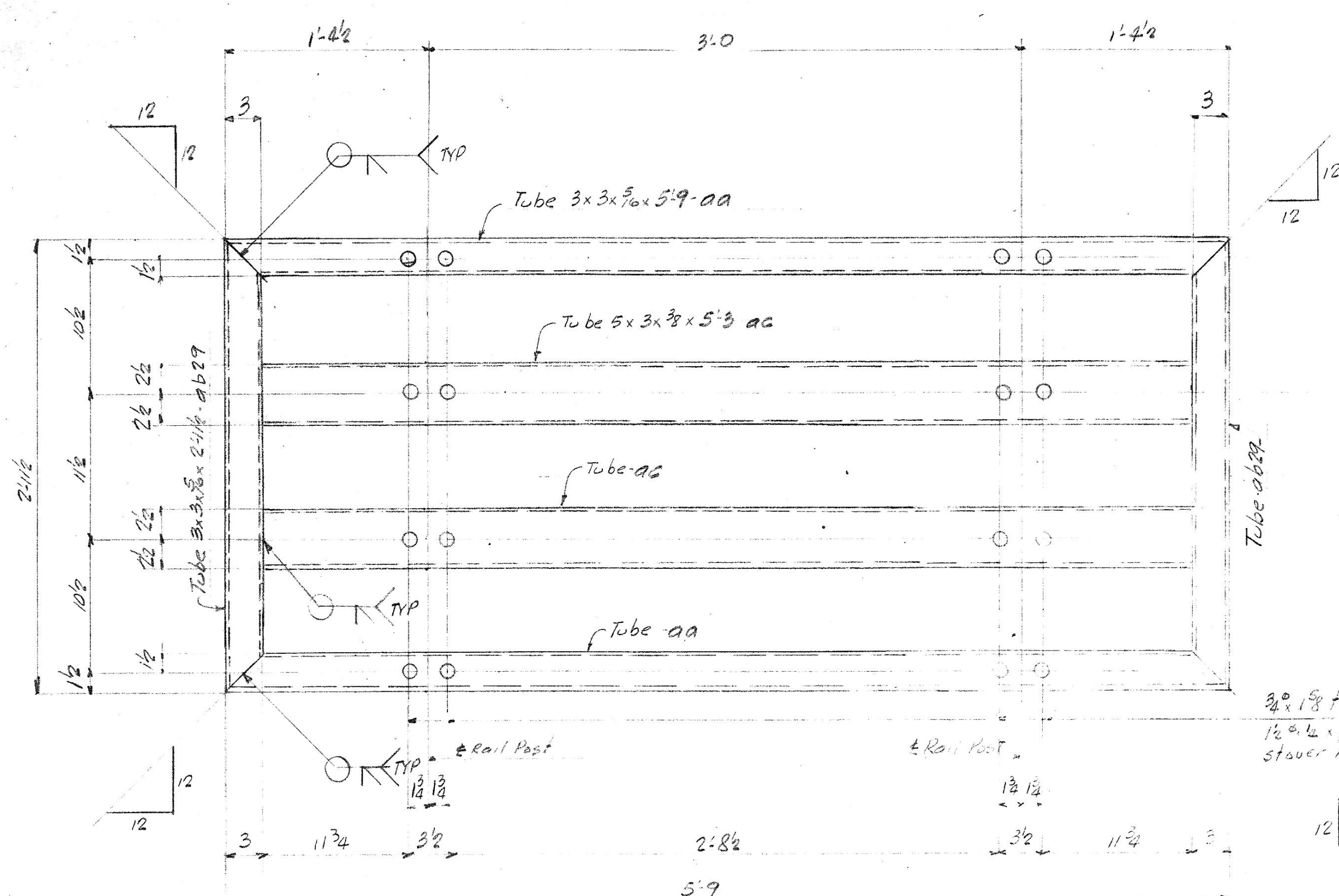
F-9293 E-9-2

CONN FABRICATING & ENGINEERING CO.
NEW CASTLE, PENNA.

RECONSTRUCTION OF FORBES AVENUE BRIDGE
OVER FERN HOLLOW
PITTSBURGH PA
HANDRAIL & POST DETAILS

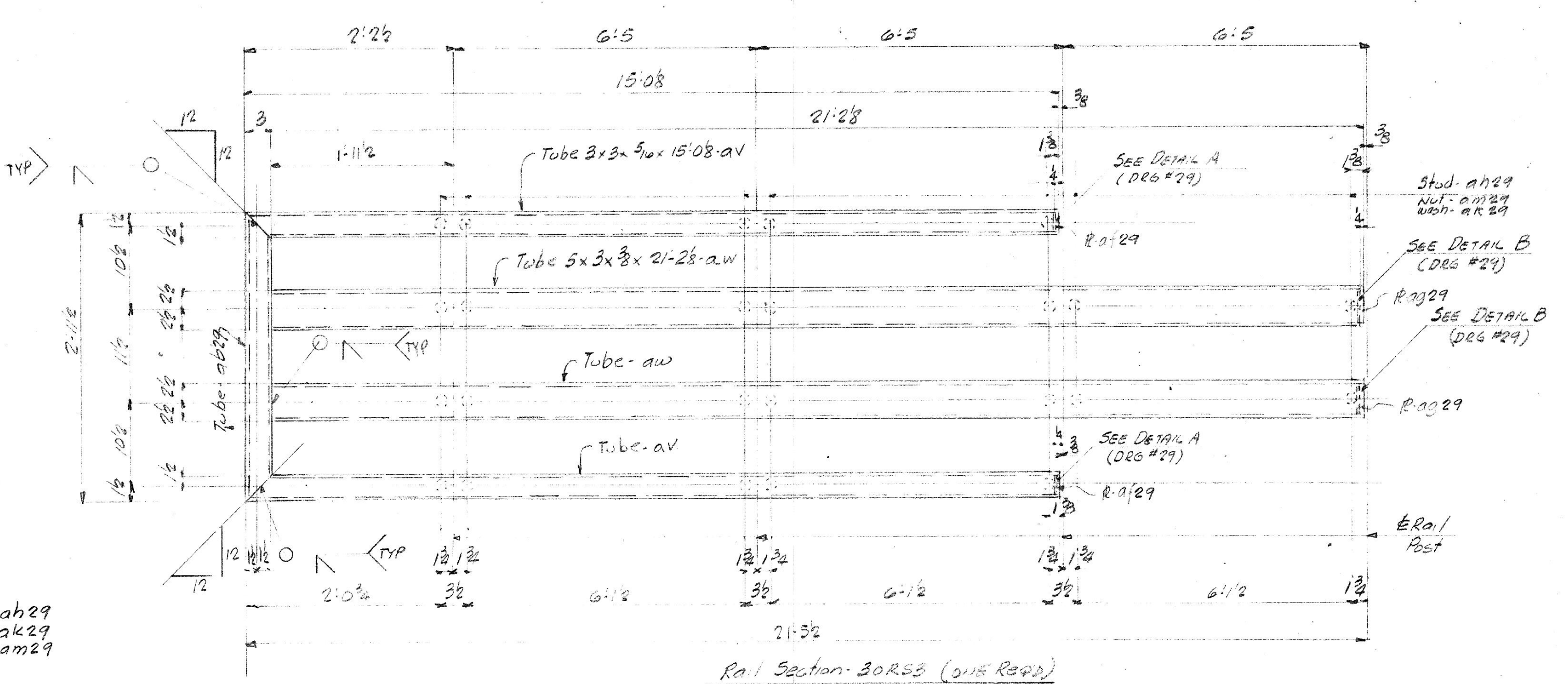
APPROVED
As Noted
APR 18 1973
RICHARDSON, GORDON
AND ASSOCIATES
PITTSBURGH, PA

REVISIONS	SCALE 1/2"=1'-0"	DATE 2/1/73
	DRAWN BY P6	APPROVED
	TRACED	
	CKD. BY JWH	No. 29

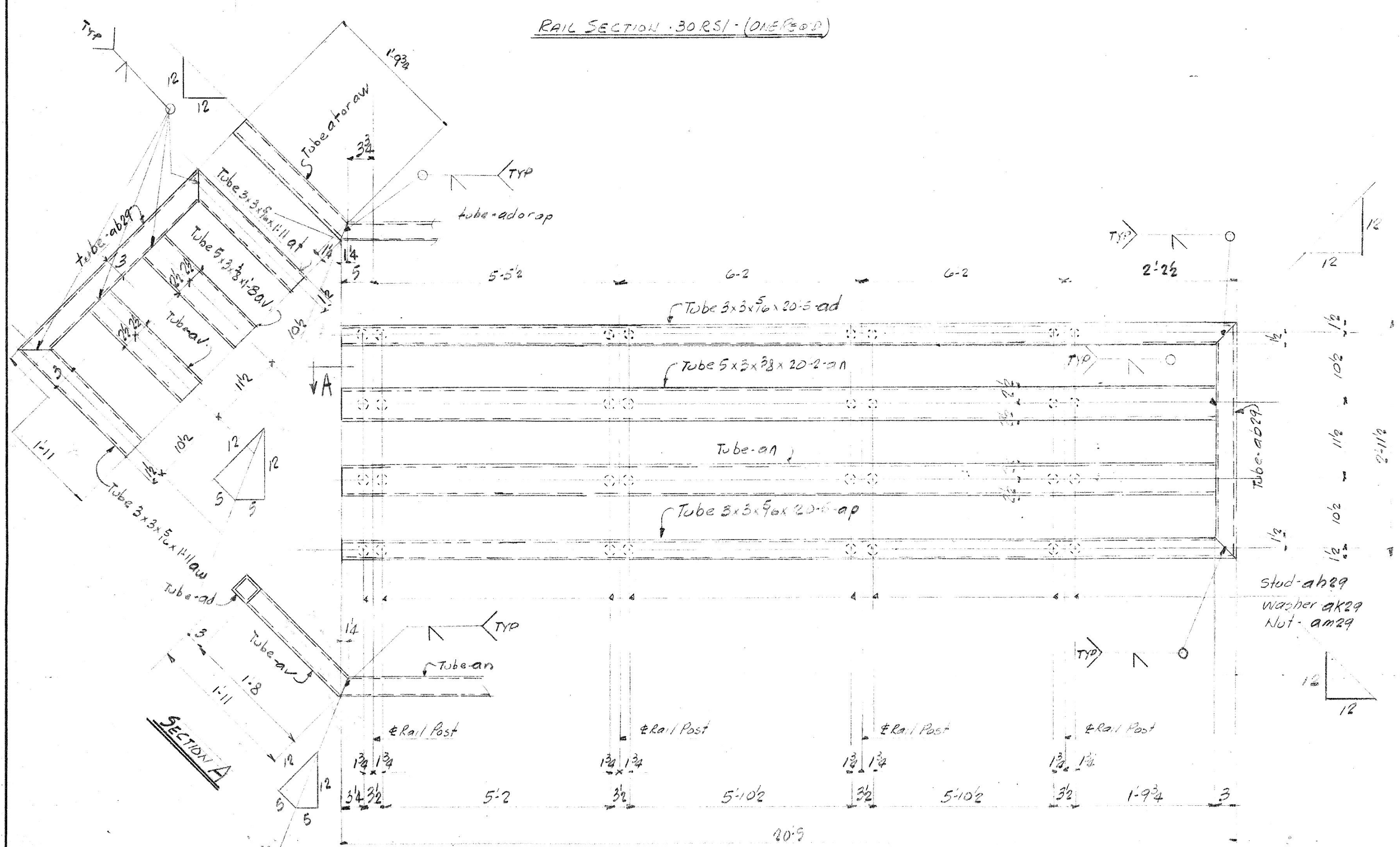


2" x 1/8" Threaded Stud - ah29
 1/2" x 1/4" x 1/8" Washer - ak29
 Staver Nut Lock & Tap am29

RAIL SECTION - 30RS1 - (ONE ROAD)

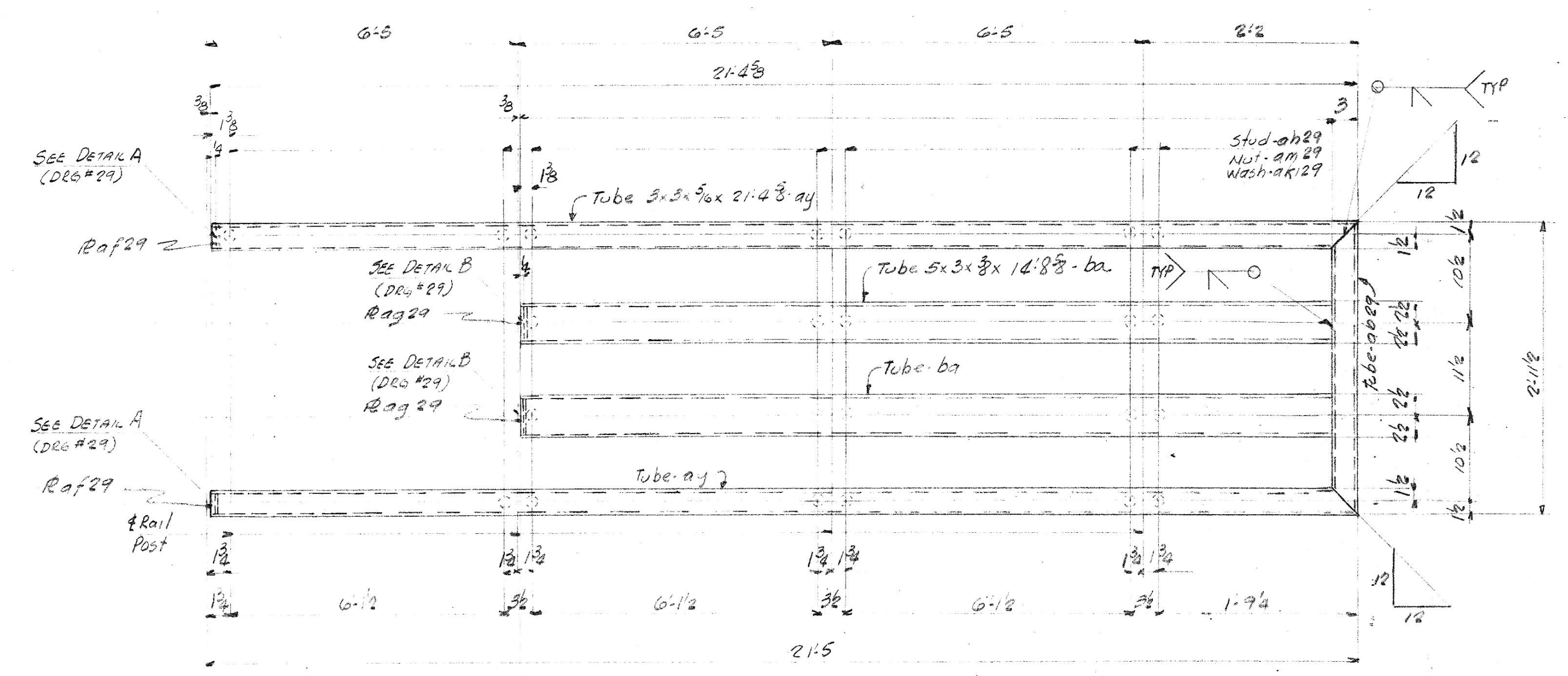


Rail Section - 30RS5 (ONE ROAD)



Stud-ah29
 Washer-ak29
 Nut-am29

RAIL SECTION - 30RS2 (ONE ROAD)



Rail Section - 30RS4 (ONE ROAD)

F-9294 E-9-2

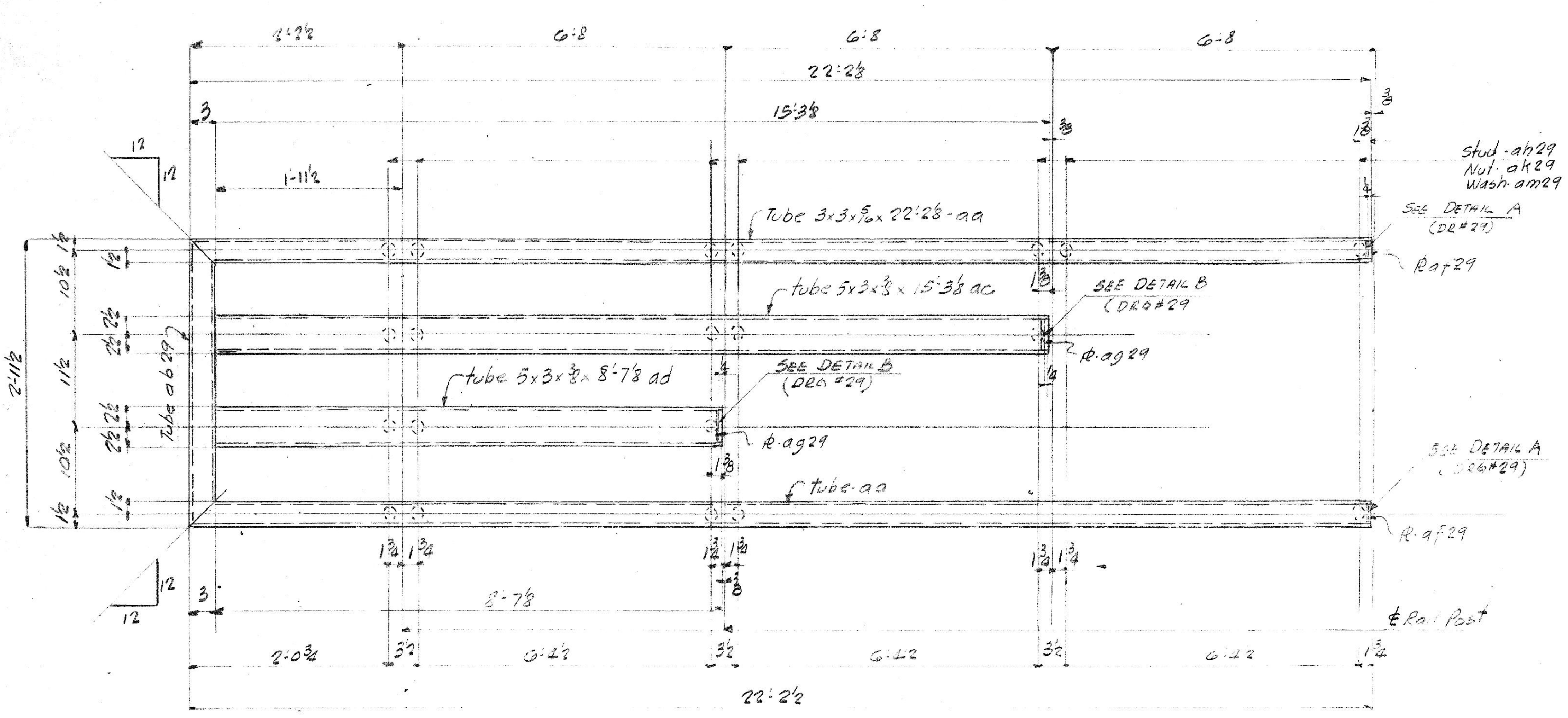
CONN FABRICATING & ENGINEERING CO.
 NEW CASTLE, PENNA.

RECONSTRUCTION OF FORBES AVENUE BRIDGE
 OVER FERN HOLLOW
 PITTSBURGH, PA.
 HANDRAIL DETAILS

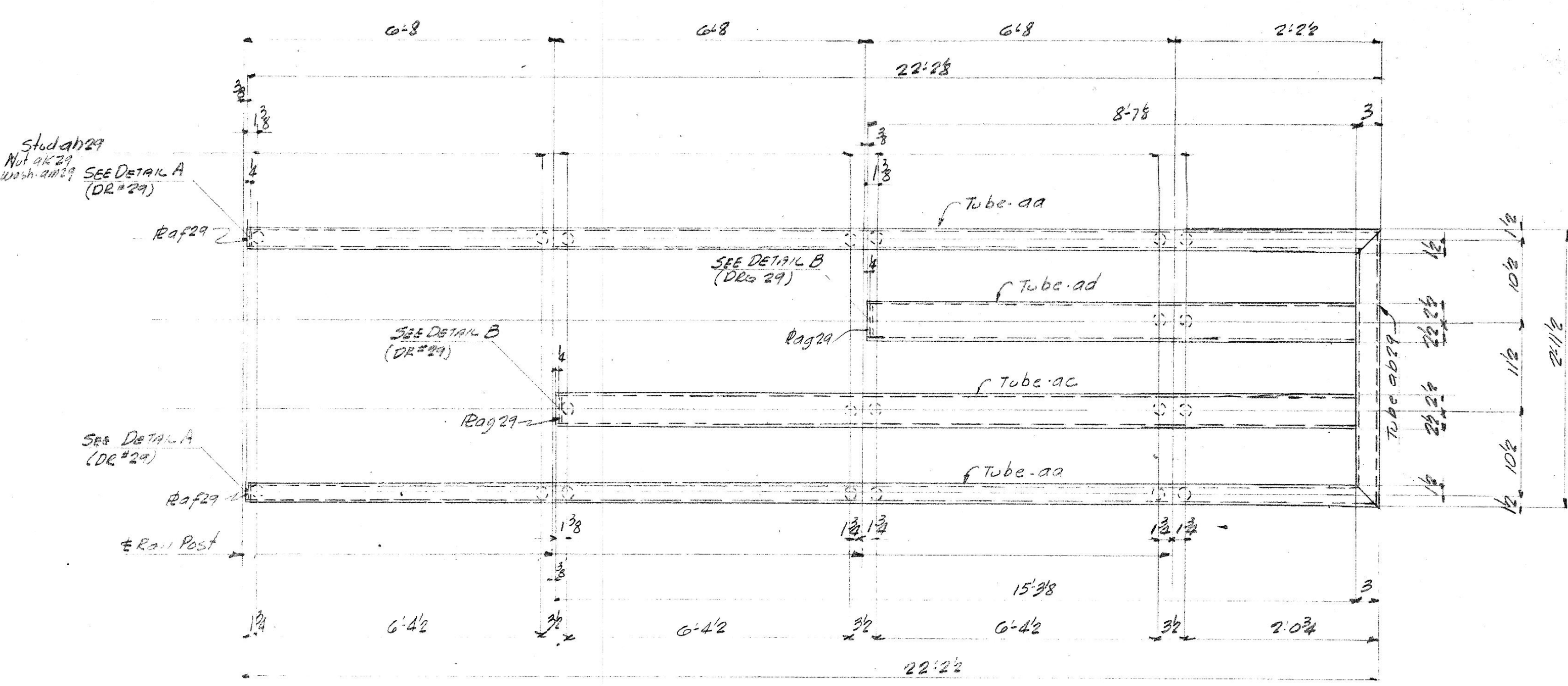
APPROVED
 APR 18 1973
 RICHARDSON, GORDON
 & ASSOCIATES
 PITTSBURGH, PA.

Material: ASTM A188 Grade 1
 Paint: One (1) Shop Coat
 Open Holes As Noted

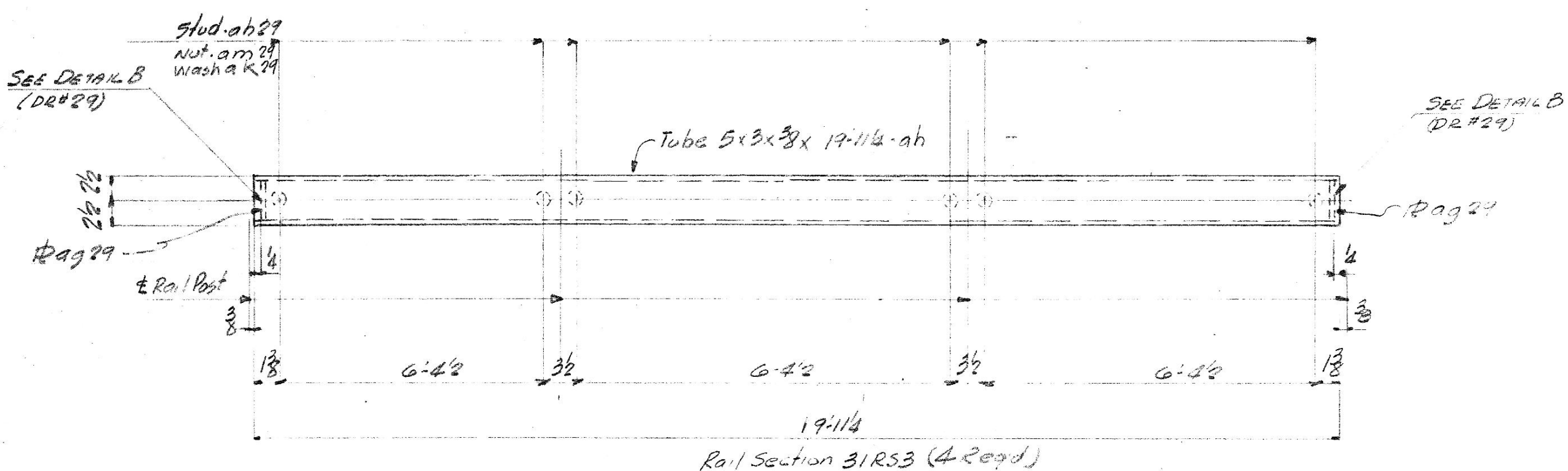
REVISIONS	SCALE 1/4"=1'-0"	DATE 2/10/73
	DRAWN BY PG	APPROVED
	TRACED	
	CKD. BY JVH	No. 30 (M)



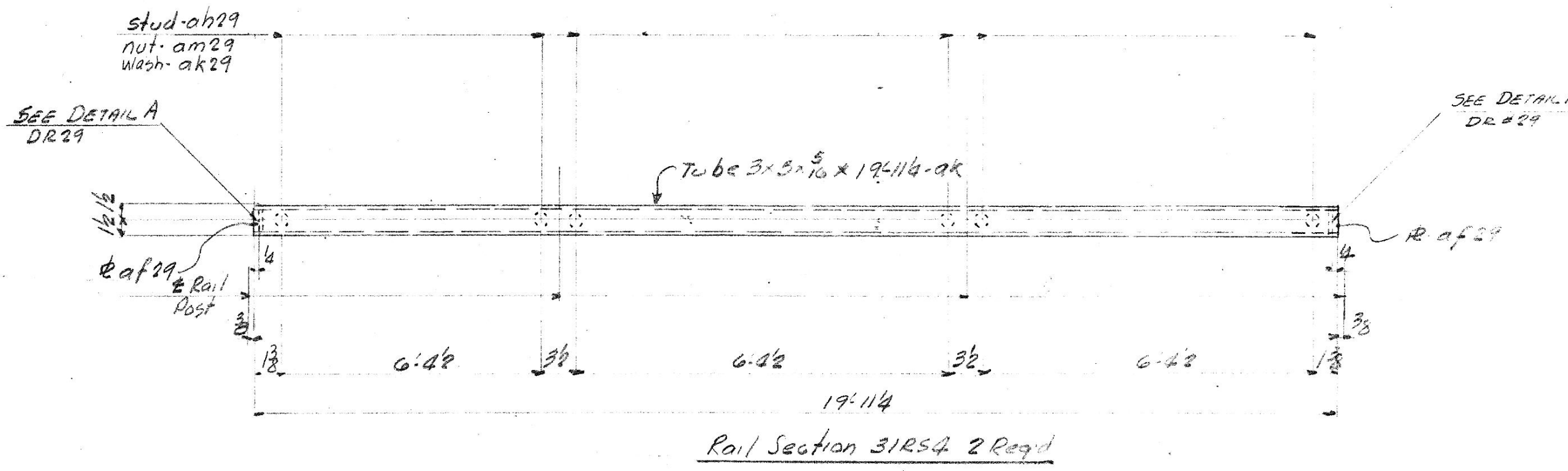
Rail Section 31RS1 (One Req'd)



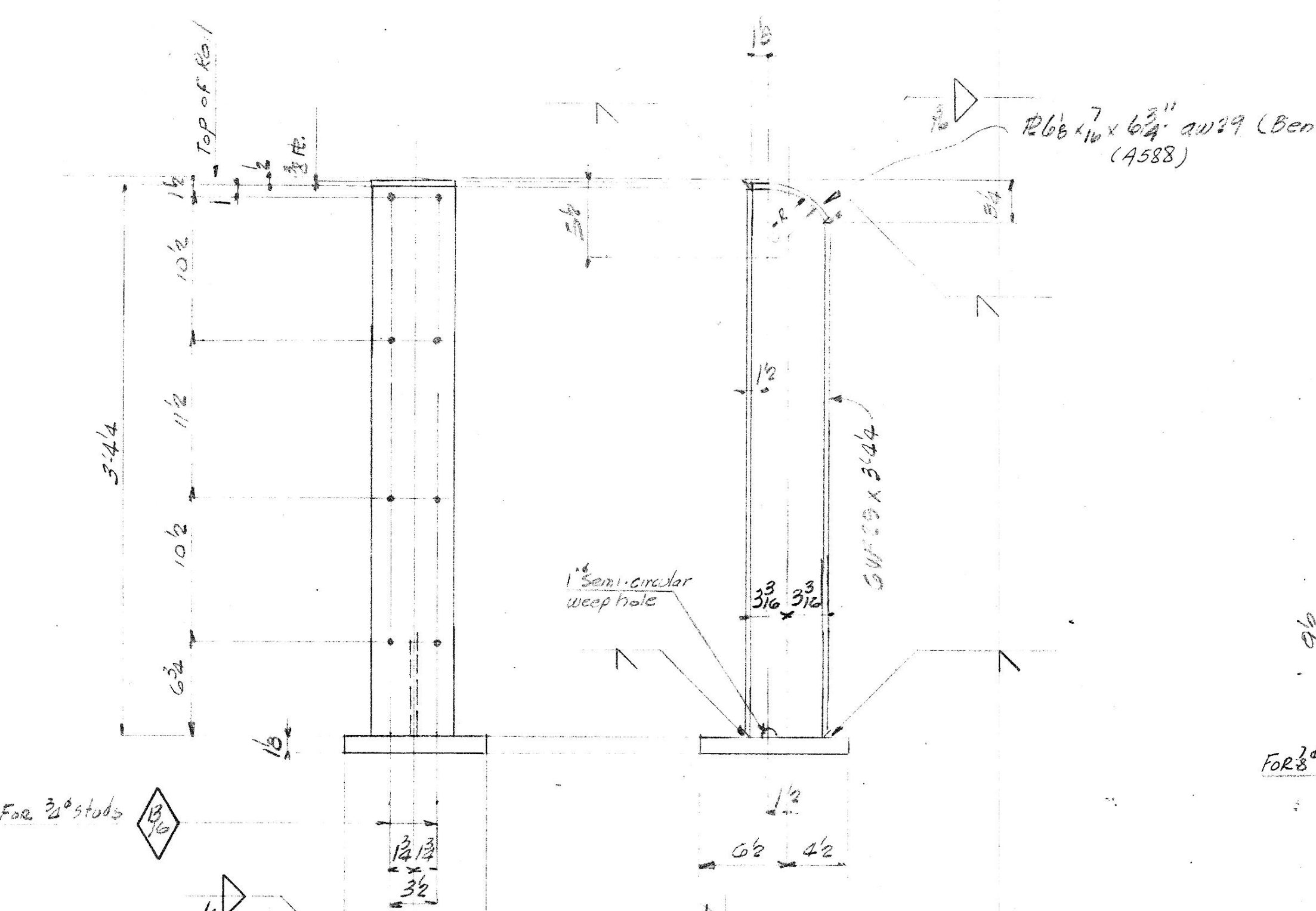
Rail Section 31RS2 (One Req'd)



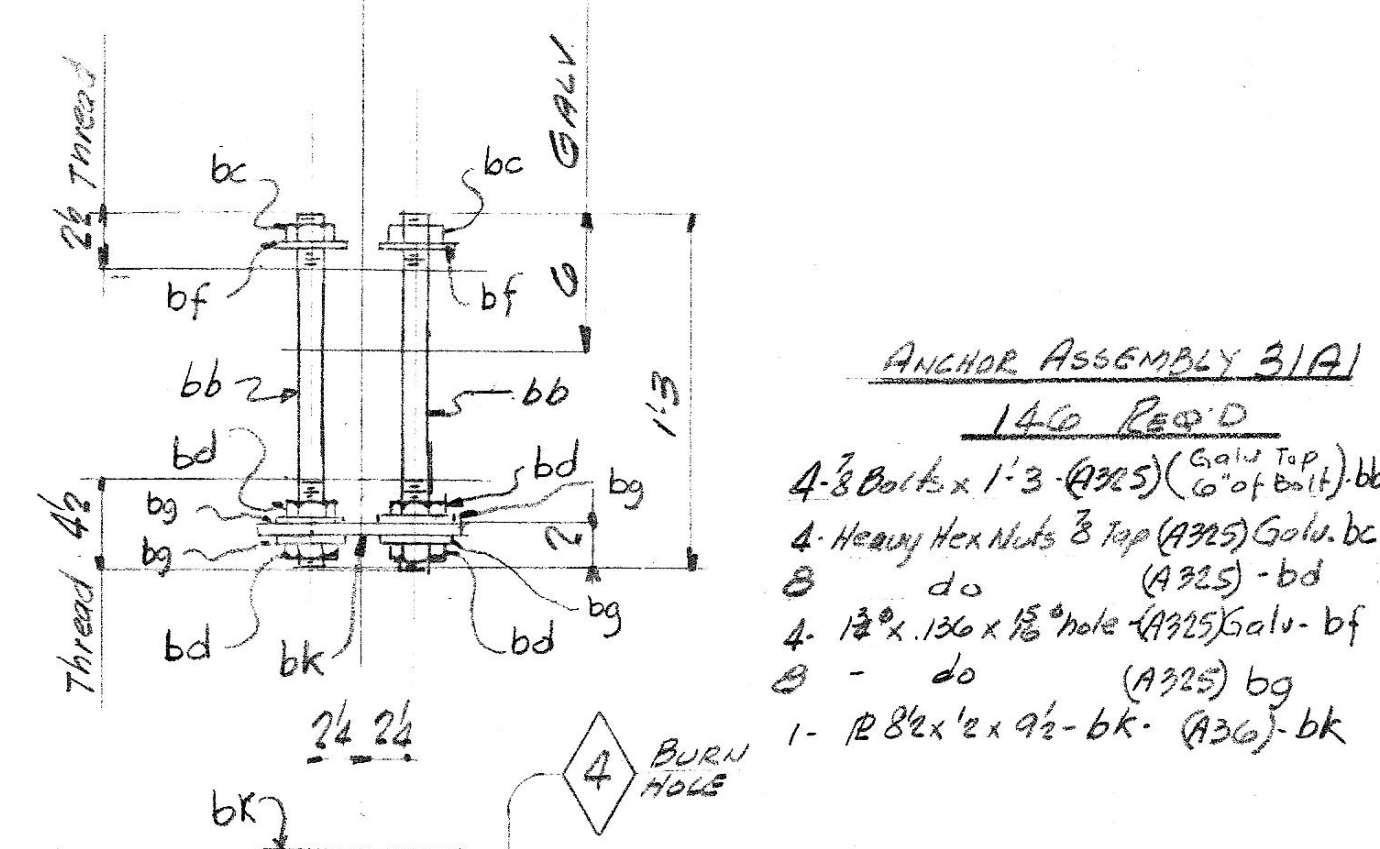
Rail Section 31RS3 (4 Req'd)



Rail Section 31RS4 (2 Req'd)



Rail Post 31RPA (4 Req'd)
Rail Post 31RPA- (2 Req'd)



ANCHOR ASSEMBLY 31A1

F-9295 E-9-2

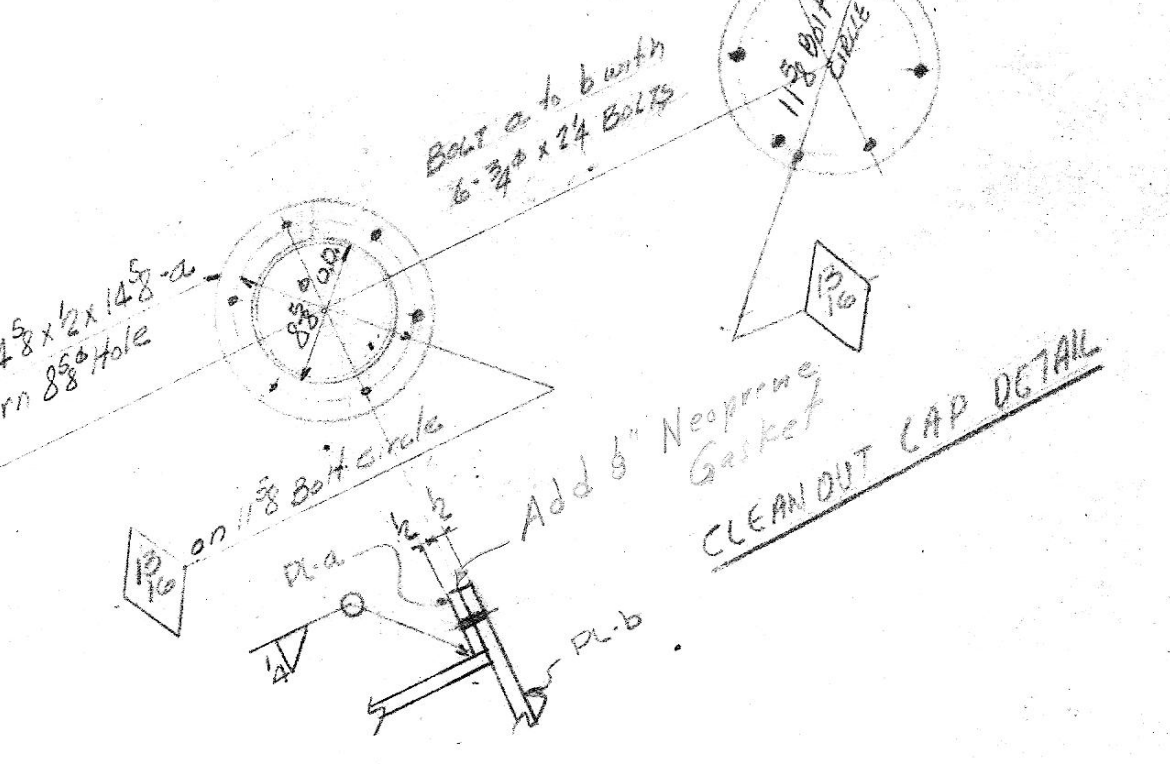
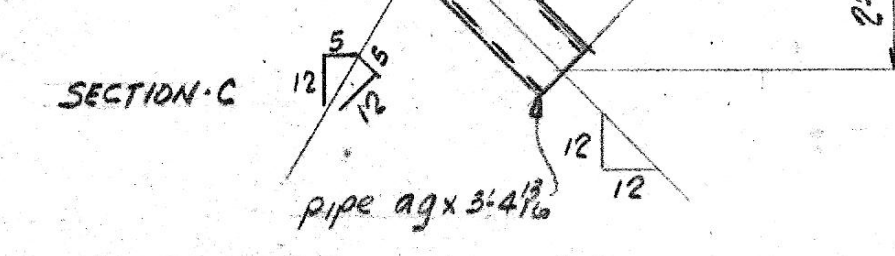
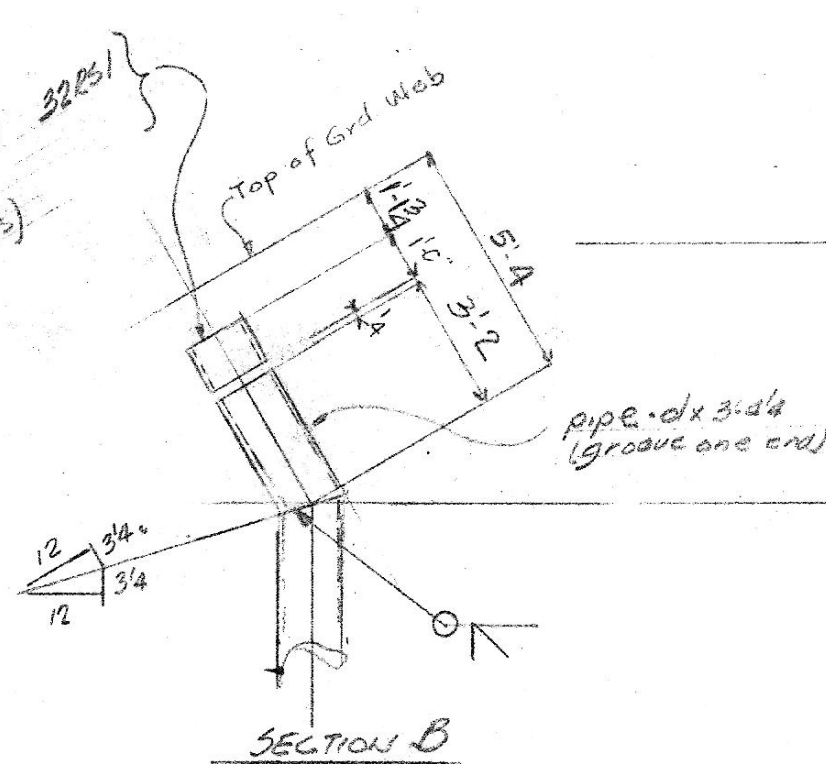
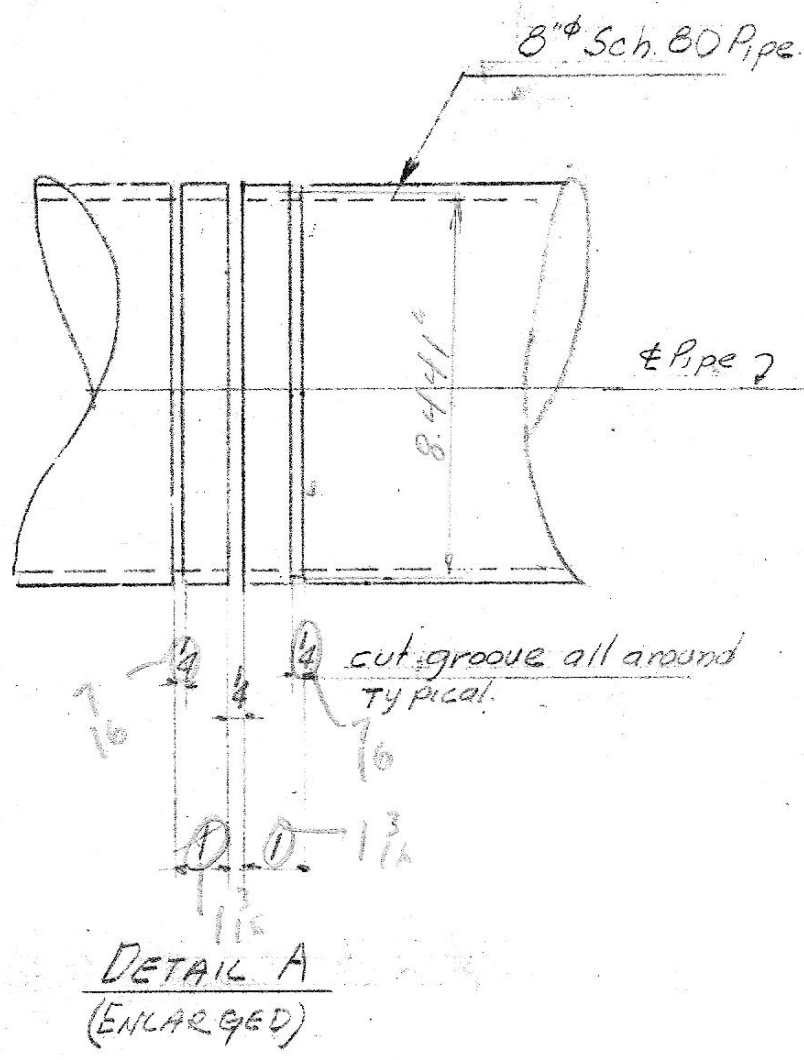
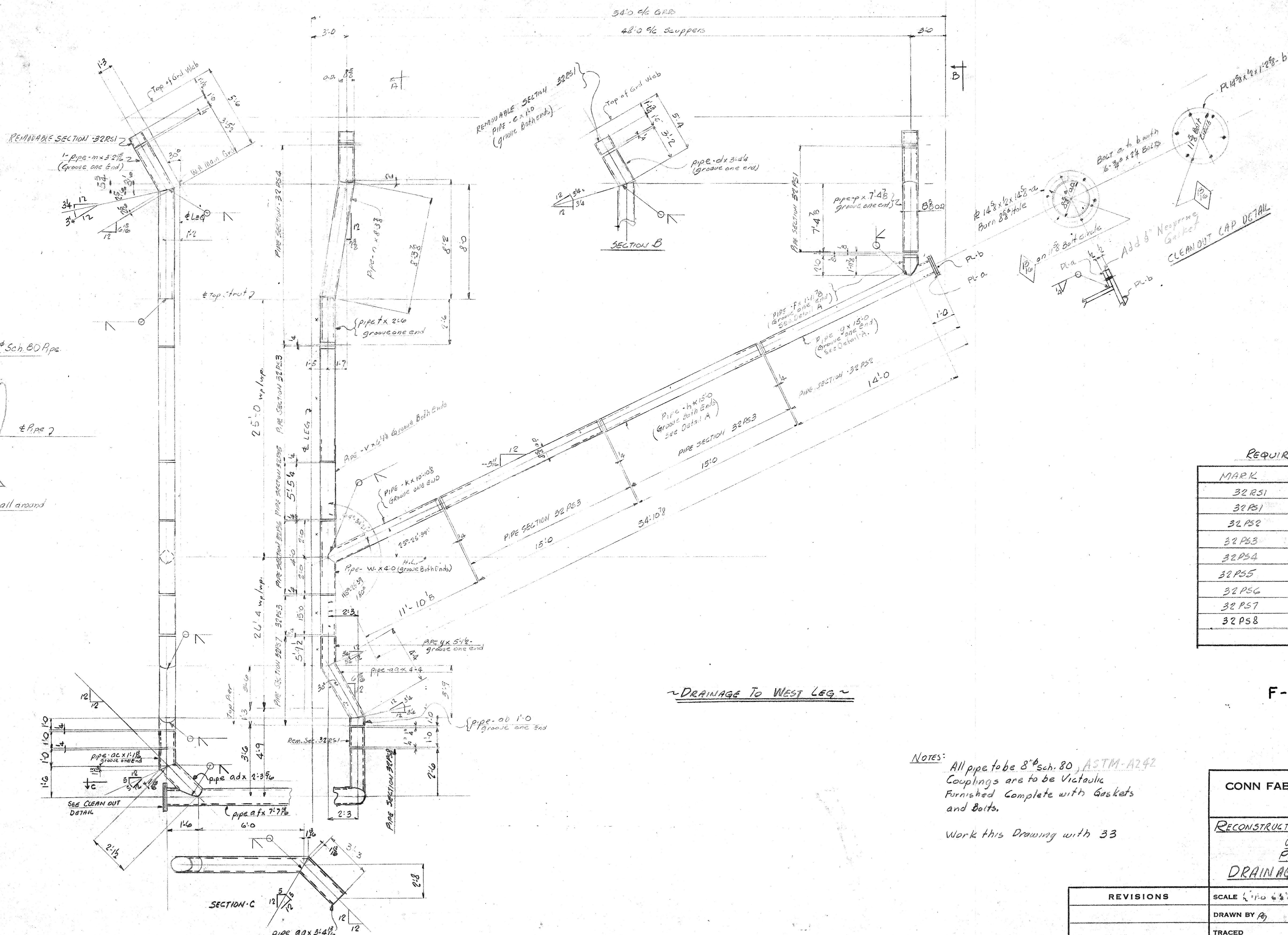
MATERIAL - ASTM A18 Grade 1
Unless Noted (A925)
Open Holes as Noted
Paint - One (1) Shop Coat.

CONN FABRICATING & ENGINEERING CO.
NEW CASTLE, PENNA.

RECONSTRUCTION OF FORBES AVE BRIDGE
OVER FERN HOLLOW
PITTSBURGH, PA.
HANDRAIL, POST & ANCHOR DETAILS

APPROVED
APR 18 1973
RICHARDSON GORDON
AN ASSOCIATES
ATLANTA, GA

REVISIONS	SCALE	DATE
		2/11/73
	DRAWN BY Pg	APPROVED
	TRACED	
	CKD. BY J/H	No. 31



REQUIRED LIST

MARK	PIER		TOTAL REQ
	WEST	EAST	
32RS1	3	3	6
32PS1	1	-	1
32PS2	1	-	1
32PS3	5	5	10
32PS4	1	-	1
32PS5	1	1	2
32PS6	1	1	2
32PS7	1	1	2
32PS8	1	-	1

~DRAINAGE TO WEST LEG~

NOTES:
 All pipe to be 8" Sch. 80, ASTM-A292
 Couplings are to be Victaulic
 Furnished Complete with Gaskets
 and Bolts.

Work this Drawing with 33

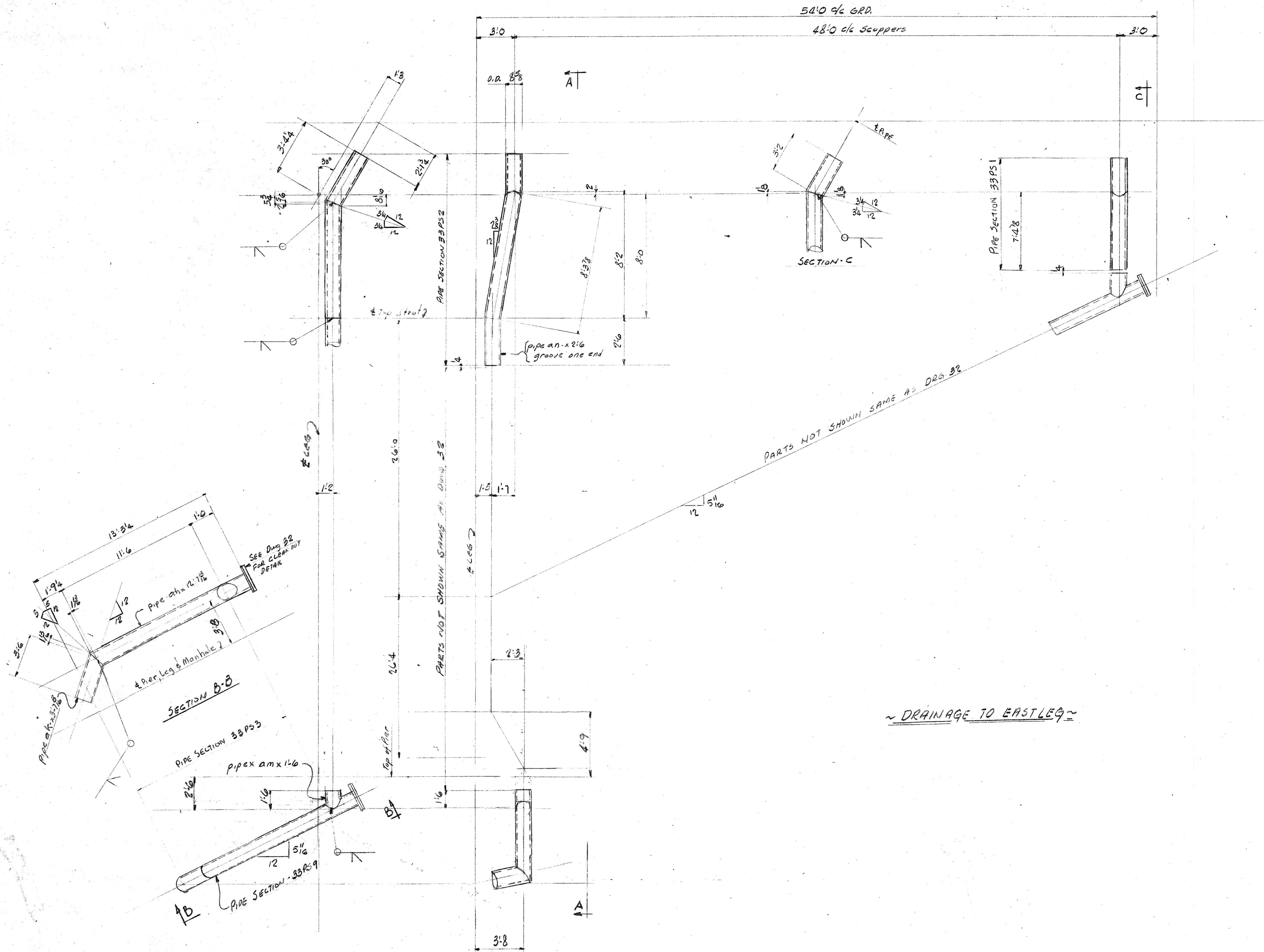
F-9296 E-9-2

APPROVED AS NOTED
 APR 18 1973
 RICHARDSON, GORDON
 AND ASSOCIATES
 PITTSBURGH, PA.

CONN FABRICATING & ENGINEERING CO.
 NEW CASTLE, PENNA.

RECONSTRUCTION OF FORBES AVENUE BRIDGE
 OVER FERN HOLLOW
 PITTSBURGH, PA.
 DRAINAGE DETAILS

REVISIONS	SCALE 1/4" = 1'-0"	DATE
DRAWN BY AS		APPROVED
TRACED		
CKD. BY		No. 32



REQUIRED LIST

MARK	QTY		TOTAL KEY
	WEST	EAST	
33P51		1	1
33P52		1	1
33P53		1	1

F-9297 E-9-2

APPROVED

CONN FABRICATING & ENGINEERING CO.
NEW CASTLE, PENNA.

RECONSTRUCTION OF FORDS AVENUE BRIDGE
OVER FERN HOLLOW
PITTSBURGH, PA
DRAINAGE DETAILS

WORK THIS DRAWING WITH 32
FOR GENERAL NOTES SEE
DWG 32

REVISIONS	SCALE	DATE
	As	
	DRAWN BY 4/10/10	APPROVED
	TRACED	
	CKD. BY	No. 33