



Vehicle Attachment 2 – 2010 Kenworth Truck Tractor Specifications

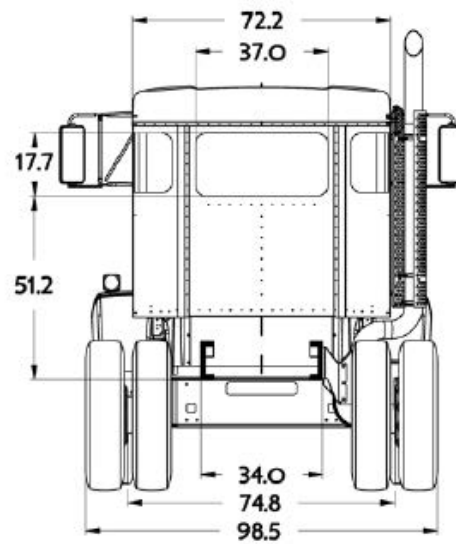
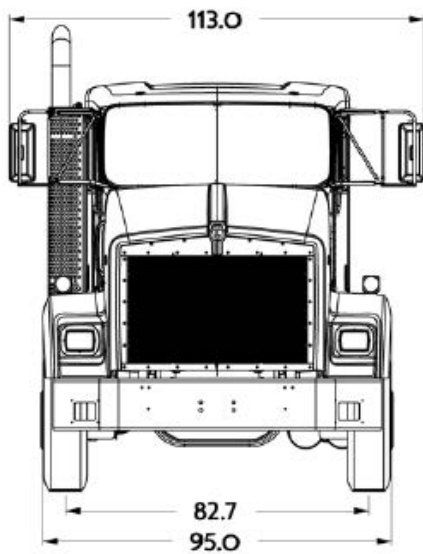
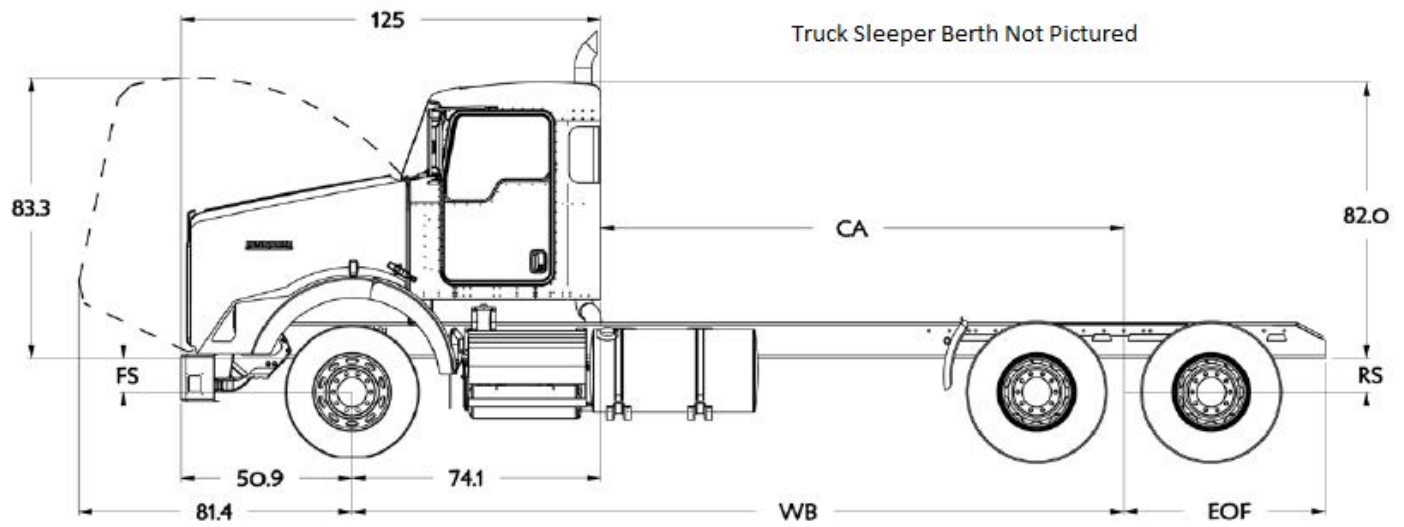
Mount Vernon, WA; 05/23/2013

HWY13MH012

(3 pages)

T800 WIDE HOOD

The following drawings are of a T800 Wide Hood, which allows for the 1780 square inch radiator.



CHASSIS FINAL BILL
FOR VIN 1XKDDBOX4AJxxxxxxx

THE FOLLOWING LIST DESCRIBES ALL COMPONENTS USED FOR THIS CHASSIS
DIMENSIONS AND WEIGHTS FOR THE ENTIRE ORDER ARE STATED IN CUSTOMARY.

APPLICATION

COMMODITY HAULED 0091100 HEAVY MACHINERY
INTENDED SERVICE 0093071 HEAVY EQUIPMENT TRANSPORT
PREV: HEAVY HAULER (>110,000#)
BODY LENGTH .00 IN BODY HEIGHT .00 IN
MAX LADEN WEIGHT .00 LBS

TRAILER

TRAILER TYPE 0096090 OTHER
TRAILER LENGTH 45.00 FT TRAILER HEIGHT 14.00 FT
KINGPIN 24.00 IN CTR LINE AXLE GRP .00 IN
CORNER RADIUS 1.00 IN NO TRAILER AXLES 03

OPERATING AREA RESTRICTIONS

LENGTH 120.00 FT WIDTH 102.00 IN HEIGHT 15.00 FT

CHASSIS

FRONT AXLE LOAD 16000.00 LBS REAR AXLE LOAD 46000.00 LBS GCW 140000.00 LBS
WHEELBASE 236.00 IN FAX/BOC 74.00 IN CAB/AXLE 162.00 IN
CAB/EOF 222.00 IN MAXIMUM GRADE 06 PERCENT HIGHWAY 085 % CLASS B 010
% CLASS C 005
% CLASS D 000