



**VEHICLE FACTORS GROUP CHAIRMAN'S
FACTUAL REPORT**

Vehicle Attachment 1 – 2005 Ford and 2000 Wells Cargo – Vehicle Specifications

Oxnard, CA

HWY15MH006

(56 pages)

VIN Results

New

Search

VIN: 1FDXF46P55E [REDACTED]	
World Manufacturer Identifier - 1st, 2nd, 3rd Positions	
VIN Code:	1FD
Assembly Country:	United States
Make:	Ford
Body Style:	Cab Chassis
Restraint System Type (Passenger Cars) or Brake Type and GVWR Class (Trucks and Vans) - 4th Position	
VIN Code:	X
Restraint:	Dual Front Air Bag/Active Belts
GVWR Range:	14,001 - 16,000 Pounds
Line, Series Body Type - 5th, 6th, 7th Positions	
VIN Code:	F46
Vehicle Line:	F-450
Series:	Super Duty
Vehicle Type:	Truck
Engine Type - 8th Position	
VIN Code:	P
Engine:	6 0 L
Cylinders:	8
Fuel:	Diesel
Engine Manufacturer:	INTERNATIONAL
Model Year - 10th Position	
VIN Code:	5
Model Year:	2005
Assembly Plant - 11th Position	
VIN Code:	E
Assembly Plant:	JEFFERSON COUNTY, KENTUCKY
Production Sequence Number - 12th - 17th	
VIN Code:	[REDACTED]
Prod Sequence Number	[REDACTED]

New Search

DEALER 72D 435

VIN

1FDXF46P55E

	Suggested Retail Price	Invoice Amount
F455 4X2 CHASSIS CAB DRW/165	27490 ¹ 00	24227 ¹ 00
2005 MODEL YEAR		
Z1 OXFORD WHITE CLEARCOAT		
KE MEDIUM FLINT CLOTH/VINYL WEAVE		
INCLUDED ON THIS VEHICLE		
.40 GAL AFT OF AXLE FUEL TNK		
.AM/FM STEREO W/ CLOCK		
OPTIONAL EQUIPMENT		
PREFERRED EQUIPMENT PKG.650A		
.XL TRIM		
.REAR STABILIZER BAR		
.TELESCOPING TT MIRRORS-MANUAL		
552 .PASSENGER AIRBAG	NC	NC
99P 6.0L V-8 DIESEL	4750 00	4038 00
44B TORQSHIFT(TM) 5-SPD AUTO TRANS	1490 00	1267 00
T91 .225/70RX19.5F BSW ALLSEASON	NC	NC
X48 4.88 RATIO REGULAR AXLE	NC	NC
17F XL DECOR PACKAGE	115 00	97 00
.JEWEL EFFECT AERO HEADLAMPS		
153 FRONT LICENSE PLATE BRACKET	NC	NC
16000# GVWR PACKAGE		
41H ENGINE BLOCK HEATER	35 00	30 00
425 50 STATE EMISSIONS	NC	NC
JOB #1 BUILD IDENTIFIER		
66S UPFITTER SWITCHES	60 00	51 00
K CLOTH/VINYL WEAVE BENCH	NC	NC
90G CONVENIENCE PACKAGE	1325 00	1127 00
52N .SPD CONTROL/TILT STEERING WHL		
572 .AIR CONDITIONING -- CFC FREE		
NOT FOR AMBULANCE USE. USING THIS VEHICLE TO PRODUCE AN AMBULANCE VOIDS FORD WARRANTY.		
TOTAL OPTIONS		7775 00 6610 00
TOTAL VEHICLE & OPTIONS		35265 00 30837 00
DESTINATION & DELIVERY		795 00 795 00

TOTAL FOR VEHICLE 36060 00

31 U.S. GAL FUEL CHARGE	56 73
FDAF/LMDA ASSESSMENT	481 00
DUPLICATE INVOICE ADJUSTMENT	157 00-
SCHEDULE-B LEVEL 00000	
KEY CODES FE/FA 1259X FB	
SHIPPING WEIGHT 6747 LBS.	
TOTAL	36060 00 32169 73

This Invoice may not reflect the final cost of the vehicle in view of the possibility of future rebates, allowances, discounts and incentive awards from Ford Motor Company to the dealer.

Sold to Livermore Ford 2266 Kittyhawk Rd. Livermore		72D435 CA 94550		Order Type 59	Ramp Code RX76	Batch ID Z220	Price Level 515	
Ship to (if other than above) Carter Industries 950 Whipple Avenue Union City		86144 CA 94587		Date Inv. Prepared 04 27 05		Item Number 72-2134		Transit Days 18
Invoice & Unit Identification NO. 1FDXF46P55E		Final Assembly Point KTP LT. TRK.		Finance Company and/or Bank U. S. BANK, N.A.				240022

Total Holdback	Invoice Total	A & Z Plan	D Plan	X Plan
1059	32169.73	30704.73	30804.73	32116.05

[Print Page Click Here](#)

[Report a Problem](#)

OASIS
RESULT: 1FDXF46P55E USA: EN-US

27-FEBRUARY-
2015 / 10:18:50 EST/ EDCAS041B
Local Time: 27-FEBRUARY-2015 /
10:18:51 AM

[Additional Information](#)

• VEHICLE INFORMATION

VEHICLE DESCRIPTION: 2005 F-SERIES	VERSION/SERIES: 450 SERIES
BODY STYLE: SINGLE CAB (REGULAR CAB)	DRIVE TYPE: 2 WHL L/H REAR DRIVE
ENGINE: 6.0L OHV Diesel V8	AXLE RATIO: 4.88 Ratio
ENGINE CALIBRATION	AXLE CODE: 48
TRANSMISSION: 5 Speed Auto 5R110W - HI/Torque	WHEEL SIZE: 6.0 X 19.5" Steel Wheels
	TIRE: 225/70R-19.5" F BSW All Season Tire

PAINT COLOR: Oxford White WB C/C
 PAINT CODE: Z1
 GROSS VEHICLE WEIGHT: 16,000 LB. GVW
 RADIO: Electronic AM/FM/Stereo With Clock

• NO WARNING MESSAGES FOUND FOR THIS VIN

• ACCURATE REPAIR NOTIFICATIONS

ATTENTION TECHNICIANS AND SERVICE MANAGERS:
 FOR COOLANT LOSS CONCERNS OR DEGAS BOTTLE VENTING REFER TO TSB [09-08-03](#)
 DON'T REPLACE A FICM ASSEMBLY WITHOUT FIRST REFERENCING TSB [10-12-06](#)
 TO ENSURE OPTIMUM COOLING SYSTEM PERFORMANCE, REFER TO TSB [09-08-05](#)

• GENERAL WARRANTY INFORMATION

[New Vehicle Base Warranty](#)

WARRANTY START DATE: 23-JULY-2007 BUILD DATE: 18-AUGUST-2004 RELEASE DATE: 27-APRIL-2005
 SALE MILEAGE: 00062

OUTSTANDING FIELD SERVICE ACTIONS

NO CAMPAIGN MESSAGE(S) FOUND

• EXTENDED COVERAGES

NO ESP INFORMATION AVAILABLE

• WARRANTY REPAIR HISTORY

NO RECENT REPAIR HISTORY ON VEHICLE

[Click Here for Full Warranty History](#)

| [Report a Vehicle Concern](#) | On-line 1878 |

END OF OASIS REPORT FOR 1FDXF46P55E

© Copyright 2002-2015 Ford Motor Company. All rights reserved.

Server: AWS Prod
 Claims loaded through: 26-FEB-2015

Vehicle Information Report

GENERAL VEHICLE INFORMATION: [\(Related Claims\)](#) [\(QLS Concerns\)](#) [\(Lincoln PDI\)](#)

VIN: 1FDXF46P55E	Vehicle Line WERS: T/F7 - F-SERIES OVER 8500 GVW [99-10]	Engine: T/YB - 6.0L 325H/550# OHV DI TC V8 DS
Model Year: 2005	Vehicle Line AWS: F7 - F250HD/350/450/550	Global Engine: E2037 - NAVISTAR DIESEL - NAVIS
Vehicle Type: T	Vehicle Line Global: F8 - F-SERIES SUPERDUTY (NA-KTP)	Engine Plant: EN20 - NAVISTAR/INTERNATIONAL
Inv. Dealer: 86144	Drive Code: T/B - 2 WHL L/H REAR DRIVE	Transmission: T/BE - 5 SPD AUTO 5R110W - HI/TORQUE
Vehicle Status Code: 800	Body Cab Style: T/BB - SINGLE CAB (REGULAR CAB)	Global Trans: A1003 - AT - 5R110 - STP
Market Derived: F - FORD	Version/Series: T/DB - 450 SERIES	Trans Plant: AT10 - A/T SHARONVILLE

BUILD INFORMATION:

[\(Window Sticker\)](#)

[\(MVP Info\)](#)

Region Built: NA - NORTH AMERICA	Assembly Plant: A1 - KENTUCKY TRUCK PLANT BUILD	Vehicle Load Date: 01-JAN-2006
Country Built: USA - UNITED STATES	Production Date: 18-AUG-2004	Vehicle Maintenance Date: 19-AUG-2007

SALE INFORMATION:

Region Sold: NA - NORTH AMERICA	Arrival Date: 02-SEP-2004	Red Carpet Lease: *
Country Sold: USA - UNITED STATES	Sale Date: 23-JUL-2007	Fleet/Retail/Co. Lease: R
Vehicle Count Flag: Y	Warranty Start Date: 23-JUL-2007	Modified Vehicle: 6144
Selling Dealer St/Prov: CA	Original WSD: 11-AUG-2004	Warranty Status Ind: *
Selling Dealer [code]: SALINAS VALLEY FORD LINCOLN [172412 - *]		Vehicle Export Flag: N

VOC:

-----1-----2-----3-----4-----5-----6-----7-----8-----9-----0-----1-----2-----3-----4-----5-----6-----

F465E 6526F 5 5901G2134 9F EH5 B48Z911 N D2 27X P25 U72K435 42VAZ1 KEG P1FDX5 6 T 4 658A PBRV 86K10BX144

EOC:

-----1-----2-----3-----4-----5-----6-----7-----8-----9-----0-----1-----2-----3-----4-----5-----6-----

INSTALLED OPTION INFORMATION:

Air Conditioning: T/B - MANUAL AIR CONDITIONER	Color(Trim): 000NF - MEDIUM FLINT INTERIOR	Navis Engine Serial #: 208046367159
Alternator Amp Rating: 4A	Delivery Type: E	Paint: PNYW5 - OXFORD WHITE WB C/C-W/B
Audio Disk: *	Driveshaft Code: *	Power Antenna: * - [N/A]
Axle Ratio: EGAML - 4.88 FINAL DRIVE RATIO	Front Seat: T/E - SEAT-FULL BENCH	Radio: AF - ELECTRONIC AM/FM/STRO CLOCK
Axle Type: EGJAB - NON-LIMITED SLIP REAR AXLE	Fuel Type: AJ - DIESEL FUEL CAPABILITY	Sound System: * - [N/A]
Battery Amp Rating: BA	Fuel Type Engine: D - Diesel	Tire Manufacturer: AD - GENERAL
Brake Code: FBAAJ - POWR 4-WHEEL DISC HYDRO BOOST	GVW Class Code: X	Tire Brand: 9Y_1MC - LMT400 125/123M
Brake Code(Service): * - [N/A]	Instrumentation: * - [N/A]	Tire Size: D3IAB - 225/70R-19.5 F BSW ALL SEASON
Calibration Code: *	Mirror(Driver Side): BD - DRIVER LARGE HEAD/LONG ARM MIR	Traction Control: * - [N/A]
Color(Accent): * - [N/A]	Mirror(PsngR Side): * - [N/A]	

WERS INFORMATION:

0 rows: [\(hide\)](#)

Family Code	Feature Code	Family Description	Full Description
-------------	--------------	--------------------	------------------

TRACEABILITY INFORMATION:

[\(hide\)](#)

Trace Commodity	Trace Full Number
DA - DRIVER AIRBAG	1DCX212R30147
EN - ENGINE	EN200 1208046367159
LF - LEFT FRONT TIRE	A39Y_1MC3104A50EE
LI - LEFT INBOARD TIRE (FOR DUAL WHEELS)	A39Y_1MC3104A50B8
LR - LEFT REAR TIRE	A39Y_1MC3104A50HE
PA - PASSENGER AIRBAG	2E22910B3
RF - RIGHT FRONT TIRE	A39Y_1MC3104A50B9
RI - RIGHT INBOARD TIRE (FOR DUAL WHEELS)	A39Y_1MC3104A50HL
RR - RIGHT REAR TIRE	A39Y_1MC3104A50H9
TR - TRANSMISSION	A4522 170804A1N60246745C3P-7000-KB

TIRE DOT INFORMATION:

LF: A39Y_1MC3104	RF: A39Y_1MC3104
LR: A39Y_1MC3104	RR: A39Y_1MC3104
LI: A39Y_1MC3104	RI: A39Y_1MC3104
SPARE: *	DOT Plant Manufacturer: A3 - GENERAL TIRE & RUBBER CO ; MOUNT VERNON ; ILLINOIS ; UNITED STATES

ESP INFORMATION:

EMISSIONS INFORMATION:

ESP Code:
ESP Coverage(Miles):
ESP Coverage(Time):
ESP Plan Year:
ESP Signature Date:

* Emission Code:
* Emission Cert Type:
* Emission Decal Suffix:
* Engine Family:

DGAAE - 50 STATE EMISSION REQS
*
*
* -

Any comments? You can contact

[webmaster](#)

6476

FG042DB	<input type="checkbox"/> 5C3Z6007YA		COMP	OSI	1 ENGINE ASY
D285C	<input type="checkbox"/> Refer to Parts Catalog				1
D714A	<input type="checkbox"/> Refer to Parts Catalog				1
ESAM1C45A	<input type="checkbox"/> Refer to Parts Catalog				0 GREASE-HI-TEMP/WATER PROOF
2C241012AA	<input type="checkbox"/> 2C2Z1012AA				40 NUT - WHEEL
5C341015DA	<input type="checkbox"/> 5C3Z1015DA		COMP	OSI	6 WHEEL ASY
D7HT1040SA	<input type="checkbox"/> Refer to Parts Catalog				1 WEIGHT-WHL BALANCE 4 OZ
YL3A1040BA0325	<input type="checkbox"/> Refer to Parts Catalog				1 WGT-WHEEL BAL 3.25 OZ
5C341040AA0100	<input type="checkbox"/> Refer to Parts Catalog				6 WT-WHL BAL
5C341040AA0150	<input type="checkbox"/> Refer to Parts Catalog				2 WT-WHL BAL
5C341040AA0200	<input type="checkbox"/> Refer to Parts Catalog				5 WT-WHL BAL
5C341040AA0250	<input type="checkbox"/> Refer to Parts Catalog				1 WT-WHL BAL
5C341040AA0300	<input type="checkbox"/> Refer to Parts Catalog				4 WT-WHL BAL
5C341040AA0350	<input type="checkbox"/> Refer to Parts Catalog				0 WT-WHL BAL
F81A1508GA	<input type="checkbox"/> Refer to Parts Catalog				6 CSE-TIR 225/70R19.5F AS
YU5A1532BA	<input type="checkbox"/> Refer to Parts Catalog				1 DECAL-TIRE INSTRUCTIONS-ENGLISH
1C3A1532AA	<input type="checkbox"/> Refer to Parts Catalog				1 DECAL-TIRE INSTRUCTIONS-ENGLISH
5C342078DE	<input type="checkbox"/> 5C3Z2078DB	BRHF8			1 HOSE ASY - BRAKE
5C342234BF	<input type="checkbox"/> 5C3Z2234BA			OSI	1 TUBE ASY - BRAKE
5C342263CH	<input type="checkbox"/> 5C3Z2263CA		COMP	OSI	1 TUBE ASY - BRAKE
5C342264CH	<input type="checkbox"/> 5C3Z2264CA		COMP	OSI	1 TUBE ASY - BRAKE
5C342267DB	<input type="checkbox"/> 5C3Z2267DA			OSI	1 TUBE ASY - BRAKE
5C342268DA	<input type="checkbox"/> 5C3Z2268DA			OSI	1 TUBE ASY - BRAKE
5C342282EA	<input type="checkbox"/> 5C3Z2282EA			OSI	1 HOSE ASY - BRAKE
5C342450BC	<input type="checkbox"/> 5C3Z2455BC			OSI	1 PEDAL ASY - BRAKE

5C342780BD	<input type="checkbox"/> 5C3Z2780BA		COMP	OSI	1 LEVER ASY - PARKING BRAKE
5C342783AB	<input type="checkbox"/> 5C3Z2783AA			OSI	1 HANDLE
5C343020AB	<input type="checkbox"/> 5C3Z3020AA			OSI	2 BUMPER
5C343405DE	<input type="checkbox"/> 5C3Z3A360DA		COMP	OSI	1 ARM - ADJUSTMENT
5C343504BB	<input type="checkbox"/> 5C3Z3504BA	STG153		OSI	1 GEAR ASY - STEERING
3C343530CAJAF2	<input type="checkbox"/> 3C3Z3530AAA			OSI	1 SHROUD ASY - STEERING COLUMN BLACK
F75A3533BAJAF2	<input type="checkbox"/> F75Z3530CAA			OSI	1 SHROUD ASY - STEERING COLUMN BLACK
5C343590CA	<input type="checkbox"/> 5C3Z3590CA				1 ARM - STEERING GEAR
5C343600AE3JA6	<input type="checkbox"/> 5C3Z3600AAA		COMP		1 WHEEL ASY - STEERING BLACK
WSBM4G60B4GADR	<input type="checkbox"/> Refer to Parts Catalog				0 SEALER-EXPNDL-PMPBL-VINYL
WSBM4G60B4GAPA	<input type="checkbox"/> Refer to Parts Catalog				0 SEALER, 150 - 250 % EXPANDING, PUM
WSBM4G60B4GAPA	<input type="checkbox"/> Refer to Parts Catalog				0 SEALER, 150 - 250 % EXPANDING, PUM
E0TA4002CB	<input type="checkbox"/> EOTZ4730A				2 BUMP STOP
F81A4831AGC	<input type="checkbox"/> F81Z4831AG		COMP		1 PLATE
5C345005ML	<input type="checkbox"/> 5C3Z5005MA		COMP	OSI	1 FRAME ASY
4C345060BB	<input type="checkbox"/> 4C3Z6A023BB				1 BRACKET
YC355261AA	<input type="checkbox"/> F81Z5260AA		COMP	OSI	1 BRACKET
5C345310ACB	<input type="checkbox"/> 5C3Z5310CA				1 SPRING - FRONT
5C345310ACB	<input type="checkbox"/> 5C3Z5310CA				1 SPRING - FRONT
5C345415AB	<input type="checkbox"/> 5C3Z5415AA				2 INSULATOR
5C345484DA	<input type="checkbox"/> 5C3Z5484DA				2 BUSH
5C345494DB	<input type="checkbox"/> 5C3Z5482DA				1 BAR - STABILIZER
E8TA5700AA	<input type="checkbox"/> E8TZ5700A			OSI	2 BRACKET
F81A5700AA	<input type="checkbox"/> F81Z5700AA				2 BRACKET
5C345705MA	<input type="checkbox"/> 5C3Z5705MA				4 U-BOLT

3C345776AA	<input type="checkbox"/> 3C3Z5776AB				2 SHACKLE ASY	
5C345785AB	<input type="checkbox"/> 5C3Z5775AA			<input type="button" value="OSI"/>	2 BRACKET - SPRING - FRONT	
F81A5796AB	<input type="checkbox"/> F81Z5796AB				2 CAP - REAR SUSPENSION	
5C346038CD	<input type="checkbox"/> 5C3Z6038CB				1 INSULATOR ASY	
3C346046AB	<input type="checkbox"/> 3C3Z6030AA				1 BRACKET	
48ZF6651	<input type="checkbox"/> Refer to Parts Catalog				1 FLOOR MAT PROTECTOR	
5C3P7000KB	<input type="checkbox"/> 5C3Z7000KB			<input type="button" value="COMP"/>	<input type="button" value="OSI"/>	1 AUTOMATIC TRANSMISSION ASY
4C347202BA3JA6	<input type="checkbox"/> 4C3Z7210BAA			<input type="button" value="COMP"/>	<input type="button" value="OSI"/>	1 SHAFT - GEAR CHANGE
5C348009BA	<input type="checkbox"/> 5C3Z8009BA			<input type="button" value="COMP"/>	<input type="button" value="OSI"/>	1 RADIATOR ASY
F7UH8125AB	<input type="checkbox"/> F7UZ8125AA					2 INSULATOR - RUBBER
3C348146AJ	<input type="checkbox"/> 3C3Z8146AJ					1 SHROUD - RADIATOR FAN
5C348200AC5YBW	<input type="checkbox"/> 5C3Z8200AAA			<input type="button" value="COMP"/>		1 GRILLE ASSY - RADIATOR
3C348227AA	<input type="checkbox"/> 3C3Z8A193AA					2 BRACKET
4C348326BB	<input type="checkbox"/> 4C3Z8327BA			<input type="button" value="COMP"/>		1 DEFLECTOR - AIR
3C348600AB	<input type="checkbox"/> 3C3Z8600AB	YA245				1 FAN ASY
3C3E8620DB	<input type="checkbox"/> 3C3Z8620DB	JK81267A		<input type="button" value="COMP"/>		1 V-BELT
YC2A9030AA	<input type="checkbox"/> YC2Z9030AA	FC972			<input type="button" value="OSI"/>	1 CAP ASY - FUEL TANK FILLER
4C349034LA	<input type="checkbox"/> YC3Z9034LA			<input type="button" value="COMP"/>	<input type="button" value="OSI"/>	1 PIPE - FUEL FILLER
2005PROOFTF7	<input type="checkbox"/> Refer to Parts Catalog					1
2C3400009AAW4BF	<input type="checkbox"/> Refer to Parts Catalog					1 PNT BDY EXT FIN
WSHM1C231BGADR	<input type="checkbox"/> Refer to Parts Catalog					0 LUBRICANT, POLYALKYLENE GLYCOL, ,
4C3T10300AA	<input type="checkbox"/> 4C3Z1034AARM	GL569RM		<input type="button" value="COMP"/>	<input type="button" value="OSI"/>	1 ALTERNATOR ASY
F8LB10655BA	<input type="checkbox"/> BXT65750	BXT65750		<input type="button" value="COMP"/>		2 BATTERY
1C3410723AA	<input type="checkbox"/> F81Z10732B			<input type="button" value="COMP"/>	<input type="button" value="OSI"/>	1 TRAY ASY - BATTERY
5C3410732AA	<input type="checkbox"/> 5C3Z10732AA			<input type="button" value="COMP"/>		1 SUPPORT - BATTERY TRAY

F75B10747AA	<input type="checkbox"/> F75Z10718AA				1 SPACER	
5C3410758AA	<input type="checkbox"/> F81Z10769B			COMP	1 SUPPORT - BATTERY TRAY	
5C3T10849GJ	<input type="checkbox"/> 5C3Z10849GD				1 INSTRUMENT CLUSTER	
3C3U11000AC	<input type="checkbox"/> 3C3Z11002AA	SA904		COMP	OSI	1 STARTER MOTOR ASY
5C3413005AK	<input type="checkbox"/> 5C3Z13008AA			COMP	OSI	1 HEADLAMP ASY
5C3413006AK	<input type="checkbox"/> 5C3Z13008BA			COMP	OSI	1 HEADLAMP ASY
F81B13404AC	<input type="checkbox"/> F81Z13404AA			COMP	OSI	1 LAMP ASY - REAR, STOP AND FLASHER
F81B13405AC	<input type="checkbox"/> F81Z13405AA			COMP	OSI	1 LAMP ASY - REAR, STOP AND FLASHER
E2TB13406AA	<input type="checkbox"/> E4TZ13406A					1 BRACKET
F81B13470AB	<input type="checkbox"/> F81Z13470AA					1 BRACKET - REAR, STOP & FLASHER LAMP
F81B13471AB	<input type="checkbox"/> F81Z13471AA					1 BRACKET - REAR, STOP & FLASHER LAMP
1L3413776AAN2B5	<input type="checkbox"/> 1L3Z13776AAE			COMP		1 LAMP ASY - INTERIOR
F6TB13783AA	<input type="checkbox"/> F6TZ13783AA					LT. FLINT
3C3T14301AE	<input type="checkbox"/> 3C3Z14301AA	WC95748		COMP		1 LENS
3C3T14301BL	<input type="checkbox"/> 3C3Z14301BA	WC95749		COMP		1 CABLE ASY
5C3T14401DS	<input type="checkbox"/> 5C3Z14401DA			COMP		1 CABLE ASY
5C3T14405ANL	<input type="checkbox"/> 5C3Z14405ANA					1 WIRING ASY - MAIN
F81B15442AD	<input type="checkbox"/> F81Z15442AA			COMP	OSI	1 WIRING ASY - REAR LAMPS
5C3T15525TK	<input type="checkbox"/> 5C3Z15525NA			COMP		5 LAMP ASY - ROOF MARKER
YW1A15702BA	<input type="checkbox"/> YW1Z15702BA			COMP		1 WIRE ASY
5C3416015AC	<input type="checkbox"/> Refer to Parts Catalog					1 LAMP ASY - ENGINE COMPARTMENT
5C3416016AC	<input type="checkbox"/> Refer to Parts Catalog					1 PNL-FNDR OTR RH
5C3416048AC	<input type="checkbox"/> 5C3Z16054AA			COMP	OSI	1 PNL-FNDR OTR LH
5C3416049AG	<input type="checkbox"/> Refer to Parts Catalog			COMP		1 SHIELD - FENDER APRON
F81B16065AE	<input type="checkbox"/> F81Z16060AA					1 SHLD ASY-FRT FNDR APR SPLS
						1 REINFORCEMENT

F81B16066AE	<input type="checkbox"/> F81Z16061AA				1 REINFORCEMENT	
4C3416612AC	<input type="checkbox"/> 4C3Z16612AA			COMP	1 HOOD ASY	
3C3A16700AA	<input type="checkbox"/> 3C3Z16700AA				1 LATCH ASY - HOOD	
4C3416720AA1DV0	<input type="checkbox"/> 4C3Z9942528AAA				0 NAME PLATE	EBONY/OR
4C3416720AA1DV1	<input type="checkbox"/> 4C3Z9942528AAB				0 NAME PLATE	EBONY/SIL
4C3416720BA1DV0	<input type="checkbox"/> 4C3Z9942528BAA				0 NAME PLATE	EBONY/OR
4C3416720BA1DV1	<input type="checkbox"/> 4C3Z9942528BAB				0 NAME PLATE	EBONY/SIL
5C3416720AA5BFQ	<input type="checkbox"/> 5C3Z9925622AAA				1 DECAL - NAME PLATE	ARIZONA E
5C3416720AA5SPW	<input type="checkbox"/> 5C3Z9925622AAB				0 DECAL - NAME PLATE	DARK SHA GREY
5C3416720AA5YFK	<input type="checkbox"/> 5C3Z9925622AAC				1 DECAL - NAME PLATE	SPARKLE S
5C3416720BA5BFQ	<input type="checkbox"/> 5C3Z9925622BAA				0 DECAL - NAME PLATE	ARIZONA E
5C3416720BA5SPW	<input type="checkbox"/> 5C3Z9925622BAB				1 DECAL - NAME PLATE	DARK SHA GREY
5C3416720BA5YFK	<input type="checkbox"/> 5C3Z9925622BAC				1 DECAL - NAME PLATE	SPARKLE S
94BG16720AA	<input type="checkbox"/> Refer to Parts Catalog				2 PLATE MODEL INDENT	
YC3516800AC	<input type="checkbox"/> F81Z16796AA				1 HINGE ASY - HOOD	
YC3516801AC	<input type="checkbox"/> F81Z16797AA				1 HINGE ASY - HOOD	
WSHM17B19A	<input type="checkbox"/> Refer to Parts Catalog				2 REFRIGERANT R134A	
F81B17042AC	<input type="checkbox"/> F81Z17091AB				1 RETAINER - LIFTING JACK	
3C3417091BB	<input type="checkbox"/> 3C3Z17091AA				1 RETAINER - LIFTING JACK	
4C3417500AA	<input type="checkbox"/> 4C3Z17508AA	WM618		COMP	1 MOTOR ASY - WIPER	
4C3417526AA	<input type="checkbox"/> 4C3Z17526AA				1 ARM ASY - WIPER	
4C3417527AA	<input type="checkbox"/> 4C3Z17527AA				1 ARM ASY - WIPER	
3C3417682ABYGAK	<input type="checkbox"/> 3C3Z17682AAA			COMP	1 MIRROR ASY - REAR VIEW OUTER	MIC BLACK
3C3417683ABYGAK	<input type="checkbox"/> 3C3Z17683AAA			COMP	1 MIRROR ASY - REAR VIEW OUTER	MIC BLACK
F7UB17700AA	<input type="checkbox"/> F7UZ17700AA			COMP	1 MIRROR - INSIDE RR VIEW - ADHESIVE	

5C3417750GE1DSF	<input type="checkbox"/> Refer to Parts Catalog				1 BMPR ASY FRT	MED.PLAT/
5C3418045HE	<input type="checkbox"/> 5C3Z18124JA	ASH335		<input type="button" value="OSI"/>	2 SHOCK ABSORBER ASY	
5C3418080DCC	<input type="checkbox"/> 5C3Z18125DA	ASH324		<input type="button" value="OSI"/>	2 SHOCK ABSORBER ASY	
5C3418198AA	<input type="checkbox"/> 5C3Z18198AA	AD1013			1 INSULATOR - SHOCK ABSORBER	
4C3418471FB	<input type="checkbox"/> 5C3Z18471C1			<input type="button" value="COMP"/>	<input type="button" value="OSI"/>	1 CHAMBER ASY - AIR PLENUM
XF2F18808AC	<input type="checkbox"/> XF2Z18808AA			<input type="button" value="COMP"/>	<input type="button" value="OSI"/>	2 SPEAKER ASY
5C3T18812AE	<input type="checkbox"/> 5C3Z18812AB			<input type="button" value="COMP"/>	<input type="button" value="OSI"/>	1 CABLE ASY - EXTENSION
XF5218813AA	<input type="checkbox"/> XF5Z18813AA			<input type="button" value="COMP"/>	<input type="button" value="OSI"/>	1 KIT - AERIAL
3C3419710AB	<input type="checkbox"/> 3C3Z19712AA	YJ450		<input type="button" value="COMP"/>	<input type="button" value="OSI"/>	1 CONDENSER ASY
3C3419733AA	<input type="checkbox"/> 3C3Z19733AA			<input type="button" value="COMP"/>		1 BRACKET
3C3419734AA	<input type="checkbox"/> 3C3Z19734AA			<input type="button" value="COMP"/>		1 BRACKET
F81H19812EB	<input type="checkbox"/> F81Z19812EA					1 BRACKET
F81H19812FA	<input type="checkbox"/> F81Z19812FA				<input type="button" value="OSI"/>	1 BRACKET
5C3419980AH	<input type="checkbox"/> Refer to Parts Catalog			<input type="button" value="COMP"/>		1 CONTR ASY-A/C
5C342A032FC	<input type="checkbox"/> 5C3Z2140FA	BRMC24		<input type="button" value="COMP"/>		1 CYLINDER ASY - MASTER
5C342A635DP	<input type="checkbox"/> 5C3Z2A635DA				<input type="button" value="OSI"/>	1 CABLE ASY - PARKING BRAKE
5C342A793RE	<input type="checkbox"/> 5C3Z2A793RA					1 EXTENSION
5C342A809EK	<input type="checkbox"/> 5C3Z2A635EB				<input type="button" value="OSI"/>	1 CABLE ASY - PARKING BRAKE
5C342B120BA	<input type="checkbox"/> Refer to Parts Catalog			<input type="button" value="COMP"/>		2 CAL ASY-FRT WHL BRK-RH
5C342B121BA	<input type="checkbox"/> Refer to Parts Catalog			<input type="button" value="COMP"/>		2 CAL ASY-FRT WHL BRK-LH
F2UW2B420AA	<input type="checkbox"/> F2UZ2B420AA					1 TUBE - VENTILATION
5C342B523BL	<input type="checkbox"/> 5C3Z2B523BA				<input type="button" value="OSI"/>	1 TUBE
5C342B532BG	<input type="checkbox"/> 5C3Z2B523BB				<input type="button" value="OSI"/>	1 TUBE
5C342B557DE	<input type="checkbox"/> 5C3Z2078DA	BRHF87				1 HOSE ASY - BRAKE
5C342B560AC	<input type="checkbox"/> 5C3Z2005AA				<input type="button" value="OSI"/>	1 BOOSTER ASY - BRAKE

4C342B925AA	<input type="checkbox"/> 4C3Z2B925AA	COMP	OSI	1 PUMP ASY
ESPM2C166HGADR	<input type="checkbox"/> Refer to Parts Catalog			0 FLUID AUTOMATIC TRANSMISSION - FRI
5C342C194AB	<input type="checkbox"/> 5C3Z2C183AB			2 BRACKET - ABS SENSOR MOUNTING
5C342C346DH	<input type="checkbox"/> 5C3Z2C219DA	COMP	OSI	1 MODULE & BRKT ASY - POWER STEERING
WSSM2C919D	<input type="checkbox"/> Refer to Parts Catalog			1 FLUID-AUTO TRANS
WSSM2G316B2	<input type="checkbox"/> Refer to Parts Catalog			0 ADHESIVE, MOISTURE CURING URETHANE
WSSM2G337BGADR	<input type="checkbox"/> Refer to Parts Catalog			0 ADHESIVE EPOXY BASED STRUCTURAL, H
WSSM2G337BGAPA	<input type="checkbox"/> Refer to Parts Catalog			0 ADHESIVE EPOXY BASED STRUCTURAL, H
WSSM2G337PGAPA	<input type="checkbox"/> Refer to Parts Catalog			0 ADHESIVE EPOXY BASED STRUCTURAL, H
5C343A005AC	<input type="checkbox"/> 5C3Z3A713CA	COMP		1 HOSE
5C343A089AB	<input type="checkbox"/> 5C3Z3A089AA		OSI	2 BRACKET
5C343A094AC	<input type="checkbox"/> 5C3Z3A093AA			1 BRACKET
5C343A696BC	<input type="checkbox"/> Refer to Parts Catalog	COMP		1 PMP & PLY ASY-PWR STNG
5C343A713BH	<input type="checkbox"/> 5C3Z3A713BA	COMP	OSI	1 TUBE ASY
5C343A766AA	<input type="checkbox"/> 5C3Z3R608AA	COMP	OSI	1 CONNECTOR
5C343A766DB	<input type="checkbox"/> 5C3Z3R608DA	COMP	OSI	1 CONNECTOR
5C343B008CG	<input type="checkbox"/> Refer to Parts Catalog			1 ROD & LNK ASY-STNG LKGE
5C343B095CC	<input type="checkbox"/> 5C3Z3B095CA		OSI	1 BRACKET
5C343B183CC	<input type="checkbox"/> 5C3Z3B095CB		OSI	1 BRACKET
5C343B239AC	<input type="checkbox"/> 5C3Z3B239AA	COMP	OSI	1 BAR - FRONT SUSPENSION TIE
5C343B346DE	<input type="checkbox"/> 5C3Z3A360EA	COMP	OSI	1 ARM - ADJUSTMENT
5C343B353AA	<input type="checkbox"/> 5C3Z5486AA			2 BRACKET
F2UA3B384AA	<input type="checkbox"/> Refer to Parts Catalog			1 TAG-FRT SUSP SPEC INST
2C343B404AA	<input type="checkbox"/> 2C3Z3B440AA		OSI	0 ADJUSTER ASY

2C343B404BA	<input type="checkbox"/> 2C3Z3B440BA	<input type="button" value="OSI"/>	2 ADJUSTER ASY	
5C343B404DA	<input type="checkbox"/> 5C3Z3B440DA	<input type="button" value="OSI"/>	2 ADJUSTER ASY	
5C343B438AC	<input type="checkbox"/> 5C3Z5K483AA	<input type="button" value="OSI"/>	2 LINK	
5C343C398BA	<input type="checkbox"/> 5C3Z3C398BA		1 RETAINER - SPECIAL	
5C343C402AC	<input type="checkbox"/> 5C3Z3C402AA		2 RETAINER - TAPPING PLATE	
5C343C529ED	<input type="checkbox"/> Refer to Parts Catalog	<input type="button" value="COMP"/>	1 COL ASY-STNG	
5C343C662BD	<input type="checkbox"/> 5C3Z3B676BA	<input type="button" value="OSI"/>	1 SHAFT ASY	
5C343D677AB	<input type="checkbox"/> 5C3Z3D677AA		1 SEAL	
5C343D746BA	<input type="checkbox"/> 5C3Z3D746AA		1 COIL - COOLING	
5C343E523EA	<input type="checkbox"/> 5C3Z3E523BA		1 CLIP	
5C343E525CC	<input type="checkbox"/> 5C3Z3691CA		1 HOSE ASY - RESERVOIR TO PUMP	
PM5C343E651CEX	<input type="checkbox"/> 5C3Z3E651CA	<input type="button" value="OSI"/>	1 DAMPER ASY	
5C343E652AB	<input type="checkbox"/> 5C3Z3E652AA	<input type="button" value="OSI"/>	1 BRACKET	
5C343F523CL	<input type="checkbox"/> 5C3Z3A717CA		1 HOSE ASY	
5C343F524BD	<input type="checkbox"/> 5C3Z3A719DA	<input type="button" value="OSI"/>	1 HOSE ASY	
5C343F540BB	<input type="checkbox"/> 5C3Z3F540BA		1 SHIELD	
F58A3F609BB	<input type="checkbox"/> F58Z3F609A		1 HANDLE	
F6DC3L518AAJAF2	<input type="checkbox"/> F6DZ3L518AA	<input type="button" value="OSI"/>	2 COVER	BLACK
5C343N807AA	<input type="checkbox"/> 5C3Z3N807A		1 NUT - ADJUSTING	
5C343N999BB	<input type="checkbox"/> 5C3Z3N999BA	<input type="button" value="OSI"/>	1 REINFORCEMENT	
PM5C343R700BG	<input type="checkbox"/> 5C3Z3A697BA	<input type="button" value="COMP"/>	1 RESERVOIR ASY	
33771S2	<input type="checkbox"/> 33771S2		4 NUT	
34659S36B	<input type="checkbox"/> Refer to Parts Catalog		4 NUT & WSHR 1/4-20 HEX 5	
34661S36B	<input type="checkbox"/> Refer to Parts Catalog		4 NUT & WSHR 5/16-18 HEX 5	
F81A4A171BB	<input type="checkbox"/> F81Z4A171BA		2 STOP - REAR AXLE SHAFT BUMPER	

E4HT4A254AA	<input type="checkbox"/> E4HZ4A254A			2 RETAINER
WSSM4C116A	<input type="checkbox"/> Refer to Parts Catalog			21 SPEC-DIESEL FU 50 CETANE
WSBM4G177DGADR	<input type="checkbox"/> Refer to Parts Catalog			0 SEALER, VINYL BASED SELF LEVELING,
WSBM4G177DGATO	<input type="checkbox"/> Refer to Parts Catalog			0 SEALER, VINYL BASED SELF LEVELING,
WSSM4G359AGADR	<input type="checkbox"/> Refer to Parts Catalog			0 SEALER, VINYL BASED, LIGHT WEIGHT,
WSSM4G359AGATO	<input type="checkbox"/> Refer to Parts Catalog			0 SEALER, VINYL BASED, LIGHT WEIGHT,
3C344K145MA	<input type="checkbox"/> 3C3Z4R602MA	<input type="button" value="COMP"/>	<input type="button" value="OSI"/>	1 SHAFT ASY - DRIVE
3C3P4K177BB	<input type="checkbox"/> 3C3Z4K177BA			1 FLANGE - DRIVE
F1HT4N272AA	<input type="checkbox"/> F1HZ4N272A			4 BOLT
YU5A5A147AA	<input type="checkbox"/> Refer to Parts Catalog			1 DECAL-FRM WARN
3C345A212EB	<input type="checkbox"/> 3C3Z5A212EA	<input type="button" value="COMP"/>		1 PIPE - EXHAUST - FRONT
1C345A242BA	<input type="checkbox"/> YC3Z5A246FA		<input type="button" value="OSI"/>	1 BRACKET
3C345A242AB	<input type="checkbox"/> 3C3Z5A242AA		<input type="button" value="OSI"/>	1 BRACKET
4C345A242JB	<input type="checkbox"/> 4C3Z5A246JB	<input type="button" value="COMP"/>	<input type="button" value="OSI"/>	1 BRACKET
F81A5A246DC	<input type="checkbox"/> F81Z5A242DA	<input type="button" value="COMP"/>		1 BRACKET
3C345A281AA	<input type="checkbox"/> 3C3Z5A231AA		<input type="button" value="OSI"/>	1 CLAMP - HOSE
5C345A318CF	<input type="checkbox"/> 5C3Z5793CA			1 SEAT - SPRING
F81A5A771CC	<input type="checkbox"/> F81Z5A772CA	<input type="button" value="COMP"/>		1 BAR - STABILIZER
5C345A975KD	<input type="checkbox"/> 5C3Z5560KA	<input type="button" value="COMP"/>	<input type="button" value="OSI"/>	2 SPRING
E8TA5A978AA	<input type="checkbox"/> E8TZ5A978A			4 INSULATOR - REAR SPRING
WSBM5B280C2	<input type="checkbox"/> Refer to Parts Catalog			0 GLASS CLEANER-URETHANE
5C345B315CJ	<input type="checkbox"/> 5C3Z5A306CA			1 SEAT - SPRING
F81A5B491CD	<input type="checkbox"/> F81Z5486CA			2 RETAINER
5C345C076AA	<input type="checkbox"/> 5C3Z5C076AA			1 SHIELD
5C345C128AD	<input type="checkbox"/> 5C3Z5C128AA			1 CROSSMEMBER

5C345C491AB	<input type="checkbox"/> 5C3Z5C491AA				2 NUT - HEX.
3C345E212AD	<input type="checkbox"/> 3C3Z5E212AA			OSI	1 CONVERTER ASY
5C345F292AB	<input type="checkbox"/> 5C3Z5F292AA		COMP		2 BRACKET
3C345K214BH	<input type="checkbox"/> 3C3Z5230BB		COMP	OSI	1 MUFFLER AND PIPE ASY - REAR
F81A5K484AA	<input type="checkbox"/> F81Z5K484AA	MEF50			2 LINK
55653S36	<input type="checkbox"/> 55653S36			OSI	4 SCREW
55929S424	<input type="checkbox"/> 55929S424				3 SCREW
56539S36	<input type="checkbox"/> N605785S36			OSI	2 BOLT
56761S2	<input type="checkbox"/> 56761S2			OSI	2 BOLT 7/16-14X1.38 HEX FLG PLT 5
57632S301	<input type="checkbox"/> Refer to Parts Catalog				6 SCR&WASH 5/16-18X.62 HEX HD
57632S301	<input type="checkbox"/> Refer to Parts Catalog				1 SCR&WASH 5/16-18X.62 HEX HD
57632S426	<input type="checkbox"/> 57632S426				1 SCREW AND WASHER ASY
F81A6A012AA	<input type="checkbox"/> F81Z6A012AA			OSI	1 NUT - SPECIAL
3C346A949BC	<input type="checkbox"/> 3C3Z6A949AA		COMP		1 COVER
5C3T6B018AB	<input type="checkbox"/> 5C3Z6B018AA			OSI	1 WIRE ASY
5C346B032CE	<input type="checkbox"/> 5C3Z6038CA			OSI	1 INSULATOR ASY - ENGINE SUPPORT
3C346B033AB	<input type="checkbox"/> 3C3Z6031AA				1 BRACKET - ENGINE MOUNTING
3C2E6B209AB	<input type="checkbox"/> 3C2Z6B209AA	BT70			1 TENSIONER
3C346C070AC	<input type="checkbox"/> 3C3Z6C070AA				1 COVER
3C346C070BA	<input type="checkbox"/> 3C3Z6C070BA				1 COVER
5C346C646AE	<input type="checkbox"/> Refer to Parts Catalog		COMP		1 DCT ASY-ENG CHG AIR COOL
5C346C646BCA	<input type="checkbox"/> 5C3Z6C646BA		COMP	OSI	1 CONNECTION - AIR INLET
4C346D091AA	<input type="checkbox"/> 4C3Z6068AA				1 INSULATOR ASY - ENGINE SUPPORT
5C346K775AA	<input type="checkbox"/> 5C3Z6K775AA		COMP	OSI	1 COOLER ASY - ENGINE CHARGE AIR
1C346K786EA	<input type="checkbox"/> 1C3Z6K786DA			OSI	1 CLAMP

4C346N647AA	<input type="checkbox"/> 4C3Z6N646AA		COMP		1 PIPE - EXHAUST
4C3P7A020CA	<input type="checkbox"/> 4C3Z7A020CA				1 INDICATOR ASY - OIL LEVEL
3C3P7A228BF	<input type="checkbox"/> 3C3Z7A228BC				1 TUBE - OIL FILLER
5C3P7B155AD	<input type="checkbox"/> 5C3Z7B155AA	FT152	COMP		1 FILTER ASY - OIL
4C3P7B229AC	<input type="checkbox"/> 4C3Z7B229AC			OSI	1 BRACKET
5C3P7C410AB	<input type="checkbox"/> 5C3Z7C410AA				1 TUBE - OIL COOLER
5C3P7E395BD	<input type="checkbox"/> 5C3Z7E395BB		COMP	OSI	1 CABLE ASY - SELECTOR LEVER CONTROL
F0DC7G357BC	<input type="checkbox"/> F0DZ7G357A		COMP		1 PIN
5C347H189CC	<input type="checkbox"/> 5C3Z7A095CA		COMP		1 OIL COOLER ASY
5C3P7H420BD	<input type="checkbox"/> 5C3Z7R081BA		COMP		1 TUBE ASY
5C3P7H420CF	<input type="checkbox"/> 5C3Z7R081CA		COMP		1 TUBE ASY
5C3P7J081AA	<input type="checkbox"/> 5C3Z7Z465AA			OSI	6 LATCH
3C3P7N134CA	<input type="checkbox"/> 3C3Z7N134CA			OSI	1 BOLT
3C3P7N291AD	<input type="checkbox"/> 3C3Z7N291AA				2 CLIP
5C348A080AA	<input type="checkbox"/> 5C3Z8A080AA		COMP	OSI	1 TANK ASY - RADIATOR OVERFLOW
5C348A081AB	<input type="checkbox"/> Refer to Parts Catalog				1 BRKT-RAD SPLY TNK MTNG
4C348A211BA	<input type="checkbox"/> 3C3Z8310AA		COMP		1 DEFLECTOR - AIR
5C348A261BB	<input type="checkbox"/> 5C3Z8311DA		COMP		1 DEFLECTOR - AIR
5C348A297AJ	<input type="checkbox"/> 5C3Z16138AA		COMP	OSI	1 SUPPORT - RADIATOR
4C348A616AB	<input type="checkbox"/> 4C3Z8A616AA	YB632			1 CLUTCH ASY - FAN
5C348B041AJ	<input type="checkbox"/> 5C3Z8A284AA		COMP	OSI	1 REINFORCEMENT
XC3H8B204AA	<input type="checkbox"/> XC3Z8124AA				2 INSULATOR - RADIATOR SUPPORT
5C348B273DF	<input type="checkbox"/> 5C3Z8286DB	KM4859	COMP	OSI	1 HOSE ASY
3C348B274AH	<input type="checkbox"/> 3C3Z8260AG	KM4783			1 HOSE ASY
5C348B407AA	<input type="checkbox"/> 5C3Z8327AA		COMP		1 DEFLECTOR

5C348B614AA	<input type="checkbox"/> 4C3Z8B614AB		COMP	OSI	1 SHROUD - FAN
5C348C351CB	<input type="checkbox"/> 5C3Z8075CB	KM4858	COMP		1 HOSE ASY
3C348C669AB	<input type="checkbox"/> 3C3Z8C669AA				2 STUD
3C348W005AF	<input type="checkbox"/> 3C3Z8075AD		COMP		1 HOSE - SUPPLY TANK TO RADIATOR
1C349A089AA	<input type="checkbox"/> 1C3Z9A089AA				1 CAP
E43B9A095BA	<input type="checkbox"/> E43Z9A095B				1 DECAL
4C349B149CA	<input type="checkbox"/> 1C3Z9B149CA		COMP	OSI	1 KIT - FUEL SYSTEM CONVERSION
5C349C662FB	<input type="checkbox"/> 5C3Z9600FA		COMP	OSI	1 CLEANER ASY - AIR
5C349C803AB	<input type="checkbox"/> 5C3Z9C803AA				1 BRACKET
4C349E453AA	<input type="checkbox"/> 4C3Z9E453AA		COMP		1 RESERVOIR - VACUUM
5C349F276AB	<input type="checkbox"/> 5C3Z9F276AA				1 CLIP - BRAKE PIPE
5C349F276AB	<input type="checkbox"/> 5C3Z9F276AA				1 CLIP - BRAKE PIPE
3C3T9F759AF	<input type="checkbox"/> 3C3Z9F759AA				1 WIRE ASY - FUEL PUMP
5C349F836AE	<input type="checkbox"/> 5C3Z9F836AA				1 PEDAL
3C349G282AF	<input type="checkbox"/> 3C3Z9G282AF		COMP	OSI	1 PUMP ASY - FUEL
5C349J338AH	<input type="checkbox"/> 5C3Z9J338AA		COMP	OSI	1 TUBE
5C349K007HC	<input type="checkbox"/> 5C3Z9002C1		COMP	OSI	1 TANK ASY - FUEL
3C349L474AB	<input type="checkbox"/> 3C3Z9L474AA			OSI	1 HOSE
XC359N589AA	<input type="checkbox"/> XC3Z9N589AA			OSI	1 CLIP
5C349S278BNC	<input type="checkbox"/> 5C3Z9S278BNC			OSI	1 TUBE ASY - FUEL
3C3A9S428BB	<input type="checkbox"/> 3C3Z9S428BA		COMP		1 SENSOR ASY
3C349Y439AE	<input type="checkbox"/> 3C3Z9Y439AD		COMP		1 HOSE ASY
95875S	<input type="checkbox"/> Refer to Parts Catalog				3 STRAP 4 BUNDLING ADJ
WSSM97B51A1	<input type="checkbox"/> TEST13404TEST1			OSI	3 BRACKET
WSSM99P30A2	<input type="checkbox"/> Refer to Parts Catalog				1 PERFORMANCE, SPRAYABLE COATING,

WSSM99P30A3GADR	<input type="checkbox"/> Refer to Parts Catalog				0 PERFORMANCE, SPRAYABLE COATING, AC	
WSSM99P30A3GATO	<input type="checkbox"/> Refer to Parts Catalog				0 PERFORMANCE, SPRAYABLE COATING, AC	
4C34030A76AA	<input type="checkbox"/> Refer to Parts Catalog				1 LBL W/SHLD	
F6UU10A687AA	<input type="checkbox"/> F6UZ10A682AA				1 HEAT SHIELD	
5C3410A812AB	<input type="checkbox"/> 5C3Z10769AA			COMP	1 SUPPORT	
2W1310B684AA	<input type="checkbox"/> 2W1Z10756AA			COMP	1 SPACER	OSI
5C3410B711BA	<input type="checkbox"/> Refer to Parts Catalog			COMP	1 TRY ASY ENG AIR BAT COOL BOX	
3C3410B717BD	<input type="checkbox"/> 3C3Z10A659BA				1 COVER ASY - BATTERY	
3C3T11N087AA	<input type="checkbox"/> 3C3Z11N087AA				1 COVER - STARTER MOTOR TERMINAL	OSI
5C3T12A581GS	<input type="checkbox"/> Refer to Parts Catalog			COMP	1 WIR ASY-ENG CONTR SNS	
5C3A12A650CAE	<input type="checkbox"/> 5C3Z12A650CAE				1 MODULE - ENGINE CONTROL - EEC V	
3C3F12A692BC	<input type="checkbox"/> 3C3Z12A659BA			COMP	1 SEAL	
5C3A12A696AB	<input type="checkbox"/> 5C3Z12A696AA				1 SEAL	
3C3T12B539AA	<input type="checkbox"/> 3C3Z14A187AA				1 BOLT - HEX.HEAD	
4C2A12B583AA	<input type="checkbox"/> 4C2Z12A644AA	DY1001		COMP	1 SENSOR ASY	OSI
4C3T13A803AA	<input type="checkbox"/> 4C3Z13832AA				1 HORN AND BRACKET ASY	OSI
F81B13B484AB	<input type="checkbox"/> F81Z13A656AA				1 COVER	
2U5A13C361BA	<input type="checkbox"/> Refer to Parts Catalog				1 TAG WARNING	
5C3T13D062AC3JA6	<input type="checkbox"/> 5C3Z11654AAA	SW6154		COMP	1 SWITCH ASY - HEADLAMPS	BLACK
5C3T13D734AE3JA6	<input type="checkbox"/> 5C3Z13D730AAA	SW6685			1 SWITCH ASY	BLACK
4C3T13K359ABJAEA	<input type="checkbox"/> 4C3Z13K359AAA	SW6163			1 SWITCH ASY - DIRECTION INDICATOR	BLACK
4C3413N020AA	<input type="checkbox"/> 4C3Z13N020AA				4 RETAINER - HEADLAMP ADJUSTING	
5C3T14A005BF	<input type="checkbox"/> 5C3Z14A005BA			COMP	1 WIRING ASY	OSI
5C3T14A067BD	<input type="checkbox"/> 5C3Z14A068BA			COMP	1 BOX ASY - FUSE	OSI
XF1214A163AB	XF1Z14A163AA				1 RETAINER	

2C3T14A206BA	<input type="checkbox"/>							
5C3T14A206AC	<input type="checkbox"/>	2C3Z14A163BA						1 CLIP - WIRING
5C3T14A303AG	<input type="checkbox"/>	5C3Z14A163AA			OSI			1 CLIP - WIRING
5C3T14A593AB	<input type="checkbox"/>	5C3Z14A303AA		COMP				1 WIRE ASY
XF2T14A624BAA	<input type="checkbox"/>	5C3Z13A018AA						1 COVER - OPENING
2C3T14A664CG	<input type="checkbox"/>	Refer to Parts Catalog						2 SLV ASY WIR CONN MLE
3C3414B045AA	<input type="checkbox"/>	2C3Z14A664CB		COMP	OSI			1 COVER AND CONTACT PLATE ASY
5C3T14B060CB	<input type="checkbox"/>	F81Z14B058AA						1 BRACKET - RELAY
F81B14B268AD	<input type="checkbox"/>	5C3Z14300CA	WC95848	COMP				1 CABLE ASY - BATTERY TO BATTERY
5C3A14B321BB	<input type="checkbox"/>	F81Z14B268AA						1 SWITCH ASY
1C3T15A404AA	<input type="checkbox"/>	5C3Z14B321BA						1 SENSOR ASY - AIR BAG
5C3416A074BD5YBW	<input type="checkbox"/>	1C3Z15A404AA		COMP				1 WIRE ASY - SWITCHES
5C3416A075BD5YBW	<input type="checkbox"/>	5C3Z16038BAA						1 MOULDING MED PLATI
5C3416A586AB5YZ9	<input type="checkbox"/>	5C3Z16039BAA						1 MOULDING MED PLATI
5C3416A587AB5YZ9	<input type="checkbox"/>	5C3Z16A586AAA						1 SHIELD CARBON B
YC3516A944AA	<input type="checkbox"/>	5C3Z16A587AAA						1 KIT - MUDFLAP CARBON B
5C3416B114AA	<input type="checkbox"/>	F81Z16K689AD						1 KIT - BUSH
5C3416B114PC	<input type="checkbox"/>	5C3Z9942528AA						2 NAME PLATE
5C3416C656AB	<input type="checkbox"/>	5C3Z16720PA						2 NAME PLATE
4C3416C826AA	<input type="checkbox"/>	5C3Z16916AA						1 CABLE ASY - CONTROL
4C3416C827AA	<input type="checkbox"/>	F81Z16C826AD						1 LIFT ASY - GAS
YC3516D564AA	<input type="checkbox"/>	F81Z16C826AB						1 LIFT ASY - GAS
F81B16E004AF	<input type="checkbox"/>	YC3Z16G554AA						1 SHIELD - SPLASH
F81B16E005AF	<input type="checkbox"/>	Refer to Parts Catalog		COMP				1 REINF ASY FRT FNDR FRT RH
	<input type="checkbox"/>	Refer to Parts Catalog		COMP				1 REINF ASY FRT FNDR FRT LH

3C3416E060AA	<input type="checkbox"/> F81Z16C274AA		COMP	OSI	1 REINFORCEMENT	
3C3416E061AA	<input type="checkbox"/> F81Z16C275AA		COMP	OSI	1 REINFORCEMENT	
F81B16K006AP	<input type="checkbox"/> F81Z16K006AA				1 FRONT FENDER - REAR	
5C3416K007AE	<input type="checkbox"/> 5C3Z16K007AA				1 FRONT FENDER - REAR	
F81B16K808AA	<input type="checkbox"/> F81Z16758AB				2 BUMPER - HOOD REST	
5C3A17A083AA	<input type="checkbox"/> 5C3Z17A083AA			OSI	1 DECAL - JACK OPERATION	
5C3417A385AC5YZ9	<input type="checkbox"/> 5C3Z17A385AA				1 BRACKET - LICENSE PLATE	CARBON B
E6AB17A386BA	<input type="checkbox"/> Refer to Parts Catalog		COMP		1 CONTAINER	
5C3417A954AA	<input type="checkbox"/> 5C3Z17N808AA				2 HOOK - TOWING - REAR	
F81U17B613AB	<input type="checkbox"/> F81Z17618AA		COMP	OSI	1 RESERVOIR - WINDSHIELD WASHER	
5C3417B836AC	<input type="checkbox"/> 5C3Z17B750AA				1 BRACKET - BUMPER MOUNTING	
5C3417B837AC	<input type="checkbox"/> 5C3Z17B749AA				1 BRACKET - BUMPER MOUNTING	
5C3417E902AA	<input type="checkbox"/> 5C3Z17A861AA		COMP		1 DEFLECTOR - STONE	
5C3417E940AA	<input type="checkbox"/> 5C3Z17A861AB		COMP		1 DEFLECTOR - STONE	
F81B17K605AA	<input type="checkbox"/> F81Z17A605AA		COMP	OSI	1 HOSE ASY	
F65A18A192BC	<input type="checkbox"/> F65Z18197BB		COMP	OSI	2 INSULATOR	
3C3418C266BC	<input type="checkbox"/> 3C3Z18472BB	KH611	COMP		1 HOSE - HEATER WATER	
3C3418K579AC	<input type="checkbox"/> 3C3Z18472AA	KH230			1 HOSE - HEATER WATER	
5C3T18K810AF	<input type="checkbox"/> 5C3Z18806AC			OSI	1 KIT - RADIO RECEIVER	
F2UB19A095AA	<input type="checkbox"/> F2UZ19A095A				1 WIRE - EARTH	
F81F19A095AB	<input type="checkbox"/> F81Z19A095AA			OSI	1 WIRE - EARTH	
5C3T19A182AB	<input type="checkbox"/> 5C3Z18936AA		COMP		1 INSULATOR	
3C3E19A216BA	<input type="checkbox"/> 3C3Z8678BA	YS290	COMP	OSI	1 KIT - TENSION PULLEY	
3C3E19A216EA	<input type="checkbox"/> 3C3Z8678EA	YS295	COMP	OSI	1 KIT - TENSION PULLEY	
5C3S19A268AA	<input type="checkbox"/> Refer to Parts Catalog				1 MAN SAF STD CERT	

4U5A19A347AA	<input type="checkbox"/> Refer to Parts Catalog				1 DECAL-VEH NSE EMS CONTR
E8TA19A427AA	<input type="checkbox"/> Refer to Parts Catalog				1 DCL-VEH CONV REST WRNG
3F1319A511AA	<input type="checkbox"/> Refer to Parts Catalog				2 PEL-RAD ANTI/LEK
5C3419B555CF	<input type="checkbox"/> Refer to Parts Catalog			COMP	1 EVP & BLW ASY A/C
3C3419B594AB	<input type="checkbox"/> 3C3Z19B594AA			COMP	2 BRACKET
F81H19C828BA	<input type="checkbox"/> F81Z19C828BA			COMP	1 HOSE ASY
5C3T19D605BB	<input type="checkbox"/> 2C3Z19D605AA				1 WIRE ASY
3C3419D629AB	<input type="checkbox"/> Refer to Parts Catalog			COMP	1 COMPR & CL ASY-A/C
TS7H19D702AA	<input type="checkbox"/> F7RZ19D702AA	YF2442			0 CAP
TS7H19D702AA	<input type="checkbox"/> F7RZ19D702AA	YF2442			1 CAP
3C7H19D733AB	<input type="checkbox"/> 2C7Z18490AA				1 NOZZLE - DEMISTER
4C3419D734CA	<input type="checkbox"/> 4C3Z19D850CA	YF3083		COMP	1 TUBE - COMPRESSOR TO MANIFOLD
3C3419E672CC	<input type="checkbox"/> 3C3Z19E672CA			OSI	1 DEFLECTOR - AIR
4C3419E673AA	<input type="checkbox"/> F81Z19E673AA			COMP	1 DEFLECTOR - AIR
F6DH19E746AA	<input type="checkbox"/> F6DZ19E746AA				1 CLIP
F7TS19F534AA	<input type="checkbox"/> Refer to Parts Catalog				1 LABEL-INCOMPLETE VEHICLE
5C3J19G219BA	<input type="checkbox"/> Refer to Parts Catalog			COMP	1 KIT-OWNR GID MATL
YC3H19N651BA	<input type="checkbox"/> F81Z19837AA	YF2504		COMP	1 TUBE ASY
3C3419T201GA	<input type="checkbox"/> Refer to Parts Catalog				0 BOK-FEAT
3L3419T201AA	<input type="checkbox"/> Refer to Parts Catalog				0 BOK-FEAT (TIRE WRNT BOOK - FRENCH)
3L3419T201BA	<input type="checkbox"/> Refer to Parts Catalog				0 BOK-FEAT (TIRE WRNT BOOK - FRENCH)
3L3419T201CA	<input type="checkbox"/> Refer to Parts Catalog				0 BOK-FEAT (TIRE WRNT GOODYEAR)
3L3419T201DA	<input type="checkbox"/> Refer to Parts Catalog				0 BOK-FEAT (TIRE WRNT GENERAL)
5W7J19T201AD	<input type="checkbox"/> Refer to Parts Catalog				1 BOK FEAT
377901S	<input type="checkbox"/> 377901S				6 PLUG

377977S	<input type="checkbox"/> 377977S		1 PLUG - BLANKING
377977S	<input type="checkbox"/> 377977S		2 PLUG - BLANKING
377977S	<input type="checkbox"/> 377977S		2 PLUG - BLANKING
378941S36	<input type="checkbox"/> 378941S7	<input type="checkbox"/> OSI	6 NUT - HEX.
381385SX21A	<input type="checkbox"/> 381385SX21A		1 HOSE
382802S427	<input type="checkbox"/> 382802S427		2 NUT - HEX.
384432S	<input type="checkbox"/> NOT384432SERV	<input type="checkbox"/> OSI	2 RIVET - BLIND
386132S	<input type="checkbox"/> 386132S		4 CLIP - RETAINING
388949S	<input type="checkbox"/> EOAZ2149B		4 WASHER
389114S	<input type="checkbox"/> 389114S		1 PLUG - BLANKING
389358S	<input type="checkbox"/> 389358S		2 PIN 1/4X.60 PUSH NYLON
389621S	<input type="checkbox"/> 377949S		2 PLUG
389628S	<input type="checkbox"/> 389628S		1 CLAMP - HOSE
390334S421	<input type="checkbox"/> 390334C1	<input type="checkbox"/> OSI	2 RUN - DOOR GLASS
391308S	<input type="checkbox"/> 391308S		1 SEAL
391558S100	<input type="checkbox"/> 391558S100	<input type="checkbox"/> OSI	2 SCREW AND LOCKWASHER ASY
391742S	<input type="checkbox"/> 391742S	<input type="checkbox"/> OSI	1 PLUG
391984S436	<input type="checkbox"/> 391984S436	<input type="checkbox"/> OSI	2 RETAINER - NUT
ESEM99B144B	<input type="checkbox"/> Refer to Parts Catalog		0 SURFACTANT,CLR,LUB,RBR HOSE & TUB
ESEM99B144B	<input type="checkbox"/> Refer to Parts Catalog		0 SURFACTANT,CLR,LUB,RBR HOSE & TUB
WSSM99B186A	<input type="checkbox"/> Refer to Parts Catalog		0 WHEEL/TIRE ASY LUBE
WSKM99J365A4082	<input type="checkbox"/> Refer to Parts Catalog		0 ACID CATALYST, CLEAR COAT SYSTEM,
WSKM99J365A4083	<input type="checkbox"/> Refer to Parts Catalog		0 ACID CATALYST, CLEAR COAT SYSTEM,
N605705S426	<input type="checkbox"/> N605705S426	<input type="checkbox"/> OSI	2 BOLT
N605799S36	<input type="checkbox"/> N605799S36	<input type="checkbox"/> OSI	1 BOLT M10X1.5X20 HEX FLNG HD 9

N605814S426	<input type="checkbox"/> N605814S100		<input type="checkbox"/> OSI	4 BOLT
N605920S2	<input type="checkbox"/> N605920S2		<input type="checkbox"/> OSI	1 BOLT
N605920S426	<input type="checkbox"/> N605920S309		<input type="checkbox"/> OSI	4 BOLT
N606068S437	<input type="checkbox"/> N606068S437			3 BOLT
N606673S36	<input type="checkbox"/> N606673S36		<input type="checkbox"/> OSI	2 SCREW AND WASHER ASY
N606673S36	<input type="checkbox"/> N606673S36		<input type="checkbox"/> OSI	4 SCREW AND WASHER ASY
N606675S426	<input type="checkbox"/> N606675S426		<input type="checkbox"/> OSI	1 SCREW AND WASHER ASY
N606676S101	<input type="checkbox"/> Refer to Parts Catalog			2 SCR&WASH M6X1X20 HEX HD PIL 9
N606676S301	<input type="checkbox"/> N606676S301A		<input type="checkbox"/> OSI	4 SCREW
N606676S301	<input type="checkbox"/> N606676S301A		<input type="checkbox"/> OSI	2 SCREW
N606676S436	<input type="checkbox"/> Refer to Parts Catalog			2 SCR&WASH M6X1X20 HEX HD PIL 9
N606677S105	<input type="checkbox"/> Refer to Parts Catalog			2 SCREW AND WASHER ASY
N606677S36	<input type="checkbox"/> N606677S36			4 SCREW AND WASHER ASY
N606677S36	<input type="checkbox"/> N606677S36			4 SCREW AND WASHER ASY
N610019S36	<input type="checkbox"/> Refer to Parts Catalog			3 SCR 4.2X1.41X19.0 OVAL HD TAP
N610019S36	<input type="checkbox"/> Refer to Parts Catalog			3 SCR 4.2X1.41X19.0 OVAL HD TAP
N610019S36	<input type="checkbox"/> Refer to Parts Catalog			-3 SCR 4.2X1.41X19.0 OVAL HD TAP
N610019S36	<input type="checkbox"/> Refer to Parts Catalog			4 SCR 4.2X1.41X19.0 OVAL HD TAP
N610021S61	<input type="checkbox"/> N610021S61			9 SCREW - OVAL HEAD
N620481S2	<input type="checkbox"/> N620481S2	YF1581		2 NUT
N620481S2	<input type="checkbox"/> N620481S2	YF1581		6 NUT
N620481S2	<input type="checkbox"/> N620481S2	YF1581		2 NUT
N620481S301	<input type="checkbox"/> N620481S301		<input type="checkbox"/> OSI	4 NUT - ADJUSTING SCREW
N620482S2	<input type="checkbox"/> N620482S2		<input type="checkbox"/> OSI	2 NUT - ADJUSTING SCREW
N620482S309	<input type="checkbox"/> N620482S309			1 NUT - ADJUSTING SCREW

N620482S56	<input type="checkbox"/> N620482S56		2 NUT - ADJUSTING SCREW
N620483S301	<input type="checkbox"/> N620483S301		1 NUT
N620483S301	<input type="checkbox"/> N620483S301		2 NUT
N620485S56	<input type="checkbox"/> N620485S56	<input type="checkbox"/> OSI	2 NUT - ADJUSTING SCREW
N621903S2	<input type="checkbox"/> Refer to Parts Catalog		10 NUT&WASH M5 X0.8 HEX 9
N621906S301	<input type="checkbox"/> N621906S310	<input type="checkbox"/> OSI	2 NUT - ADJUSTING SCREW
N621906S301	<input type="checkbox"/> N621906S310	<input type="checkbox"/> OSI	4 NUT - ADJUSTING SCREW
N621906S301	<input type="checkbox"/> N621906S310	<input type="checkbox"/> OSI	3 NUT - ADJUSTING SCREW
N621906S36	<input type="checkbox"/> N621906S36	<input type="checkbox"/> OSI	8 NUT - HEX.
N621906S436	<input type="checkbox"/> N621906S436		4 NUT - ADJUSTING SCREW
N621906S436	<input type="checkbox"/> N621906S436		20 NUT - ADJUSTING SCREW
N621945S424	<input type="checkbox"/> N621945S2		2 NUT AND WASHER ASY - HEX.
N621945S424	<input type="checkbox"/> N621945S2		2 NUT AND WASHER ASY - HEX.
N623332S301	<input type="checkbox"/> N623332S301	<input type="checkbox"/> OSI	2 NUT - ADJUSTING SCREW
N623332S301	<input type="checkbox"/> N623332S301	<input type="checkbox"/> OSI	2 NUT - ADJUSTING SCREW
N623332S301	<input type="checkbox"/> N623332S301	<input type="checkbox"/> OSI	1 NUT - ADJUSTING SCREW
N623332S301	<input type="checkbox"/> N623332S301	<input type="checkbox"/> OSI	2 NUT - ADJUSTING SCREW
N623332S301	<input type="checkbox"/> N623332S301	<input type="checkbox"/> OSI	-2 NUT - ADJUSTING SCREW
N623332S426	<input type="checkbox"/> N623332S426	<input type="checkbox"/> OSI	2 NUT - SPRING
N642569S426	<input type="checkbox"/> N642569S426		1 PIN - SPLIT
N642569S426	<input type="checkbox"/> N642569S426		2 PIN - SPLIT
N647098S	<input type="checkbox"/> N647098S		14 RIVET
N647099S	<input type="checkbox"/> NOTN647099SERV	<input type="checkbox"/> OSI	4 BOLT
N647100S	<input type="checkbox"/> NOTN647100SERV	<input type="checkbox"/> OSI	16 BOLT
N647100S	<input type="checkbox"/> NOTN647100SERV	<input type="checkbox"/> OSI	12 BOLT
N800296S100	N800296S		4 NUT M8X1.25 U P/T 9

N800628S36M	<input type="checkbox"/>		<input type="checkbox"/>		
N800705S36	<input type="checkbox"/>	Refer to Parts Catalog			
N800854S100	<input type="checkbox"/>	N800854S100			
N800925S301	<input type="checkbox"/>	N800925S301		OSI	4 WASH 8MMX30X2.25 FLAT HARDENED
N800937S301	<input type="checkbox"/>	N800937S301		OSI	3 SCREW M4.2X2.1 HEX WASH HD TAP
N800937S426	<input type="checkbox"/>	N800937S428		OSI	8 NUT - HEX.
N801169S61	<input type="checkbox"/>	N801169S61		OSI	2 NUT - ADJUSTING SCREW
N801169S61	<input type="checkbox"/>	N801169S61		OSI	4 NUT
N801193S36	<input type="checkbox"/>	N801193S36		OSI	6 NUT M12X1.75 HEX FLNG LOCK
N801256S36	<input type="checkbox"/>	Refer to Parts Catalog		OSI	12 SCREW AND WASHER ASY
N801349S300	<input type="checkbox"/>	Refer to Parts Catalog		OSI	4 SCREW AND WASHER ASY
N801527S2	<input type="checkbox"/>	N801527S2		OSI	4 NUT AND WASHER ASY - CASTLE
N801603S61	<input type="checkbox"/>	N801603S61			9 WASH 9.5MMX32X3 FLAT STL
N801673S426	<input type="checkbox"/>	N801673S426		OSI	3 BOLT M8X1.25X20 WELD PIL
N802114S426	<input type="checkbox"/>	N802114SA		OSI	4 WASHER
N802289S2	<input type="checkbox"/>	N802289S2		OSI	8 SCREW AND WASHER - PAN HD SELF-TAPP
N802350S36	<input type="checkbox"/>	Refer to Parts Catalog		OSI	4 NUT - HEX.
N802455S426	<input type="checkbox"/>	N802455S426		OSI	3 BOLT
N802776S36	<input type="checkbox"/>	N802776S36			2 WASHER
N802961S101	<input type="checkbox"/>	N802961S101			3 NUT&WASH-M5X0.8 HEX P/T
N803043S	<input type="checkbox"/>	N803043S		OSI	3 SCREW
N803267S	<input type="checkbox"/>	N803267S		OSI	1 NUT&WASH-M10X1.5 HEX
N803334S426	<input type="checkbox"/>	N803334S2			1 NUT
N803685S1100	<input type="checkbox"/>	Refer to Parts Catalog			2 RIVET
					4 NUT - ANCHOR
				OSI	4 NUT - WORM DRIVE
					4 NUT-M4.2X1.41 PANEL PUSH ON P/T

N803892S426	<input type="checkbox"/> N803892S426		OSI	4 BOLT
N803942S101	<input type="checkbox"/> N803942S101	COMP	OSI	1 BOLT
N803946S	<input type="checkbox"/> N803946S			2 RETAINER
N804441S426	<input type="checkbox"/> N804441S426		OSI	1 NUT AND WASHER ASY - HEX.
N804804S439	<input type="checkbox"/> N804804S439			1 SCREW
N805161S56	<input type="checkbox"/> Refer to Parts Catalog			2 NUT&RETAINER-M20X2.5 HEX FLNG P/T.
N805320S100	<input type="checkbox"/> N805320S100		OSI	1 NUT AND WASHER ASY - HEX.
N805320S100	<input type="checkbox"/> N805320S100		OSI	1 NUT AND WASHER ASY - HEX.
N805320S309	<input type="checkbox"/> N805320S309		OSI	1 NUT
N805320S309	<input type="checkbox"/> N805320S309		OSI	1 NUT
N805420S101	<input type="checkbox"/> N805420S101			4 BOLT
N805444S100	<input type="checkbox"/> F81Z4A171BA			2 STOP - REAR AXLE SHAFT BUMPER
N805451S190	<input type="checkbox"/> Refer to Parts Catalog			4 NUT-M10X1.50 WELD ROUND
N805605S36	<input type="checkbox"/> N805605S36			2 SCREW AND WASHER ASY
N806329S190	<input type="checkbox"/> Refer to Parts Catalog			2 NUT-M12 ROUND WELD
N806367S436	<input type="checkbox"/> N806367S60			2 NUT - ADJUSTING SCREW
N806423S56	<input type="checkbox"/> N806423S56		OSI	4 NUT AND WASHER ASY - HEX.
N806496S301	<input type="checkbox"/> F6DZ18198A		OSI	2 KIT
N806564S43	<input type="checkbox"/> N806564S43			1 NUT - HEX.
N806738S36	<input type="checkbox"/> N806738S36			16 SCREW AND WASHER ASY
N806773S190	<input type="checkbox"/> N806773S190			2 NUT-M10X1.5 HEX FLANGE LOCK P/T
N806851S301	<input type="checkbox"/> N806851S301		OSI	4 NUT - ADJUSTING SCREW
N806854S	<input type="checkbox"/> N806854S			2 NUT - PLASTIC - SPECIAL
N806886S301	<input type="checkbox"/> N806886S301			1 NUT - HEX.
N806972S100	<input type="checkbox"/> Refer to Parts Catalog			4 SCREW-M6X1.0X20.0 HEX FLNG TAPPING

N806996S424	<input type="checkbox"/> N806996S424		2 SCREW	
N807151S36	<input type="checkbox"/> N807151S36	<input type="checkbox"/> OSI	2 HARDWARE - MISCELLANEOUS	
N807164S426	<input type="checkbox"/> N807164S426	<input type="checkbox"/> OSI	1 NUT - HEX. - FLANGED	
N807169S102	<input type="checkbox"/> N807169S102	<input type="checkbox"/> OSI	4 SCREW	
N807316S36	<input type="checkbox"/> N807316S361		8 SCREW	
N807658S301	<input type="checkbox"/> N807658S301	<input type="checkbox"/> OSI	3 SCREW	
N807658S301	<input type="checkbox"/> N807658S301	<input type="checkbox"/> OSI	1 SCREW	
N807659S436	<input type="checkbox"/> N807659S436		2 NUT - HEX.	
N807659S441	<input type="checkbox"/> N807659S441		2 NUT	
N807659S441	<input type="checkbox"/> N807659S441		3 NUT	
N807659S441	<input type="checkbox"/> N807659S441		1 NUT	
N807691S437	<input type="checkbox"/> N807691S437		1 STUD	
N807769S100	<input type="checkbox"/> N807769S309	<input type="checkbox"/> OSI	8 BOLT - HEX. HEAD - FLANGED	
N807845S424	<input type="checkbox"/> N807845S424		2 SCREW&WSHR M6X14 HX CTP 9	
N807907S36	<input type="checkbox"/> Refer to Parts Catalog		4 SCR&WSHR M8X1.25X20 HEX HD CTP	
N808182S309	<input type="checkbox"/> N808182S309	<input type="checkbox"/> OSI	7 NUT - ADJUSTING SCREW	
N808248S36M	<input type="checkbox"/> N808248S190		8 SCREW	
N808248S36M	<input type="checkbox"/> N808248S190		3 SCREW	
N808381S426	<input type="checkbox"/> N808381S426	<input type="checkbox"/> OSI	4 NUT - HEX. - U-BOLT	
N808381S426	<input type="checkbox"/> N808381S426	<input type="checkbox"/> OSI	2 NUT - HEX. - U-BOLT	
N808441S301	<input type="checkbox"/> Refer to Parts Catalog		4 SCR&WSHR M6X1X33.5 HEX HD PIL 9	
N808480S100	<input type="checkbox"/> N808480S100	<input type="checkbox"/> OSI	1 SCREW AND WASHER ASY	
N808480S100	<input type="checkbox"/> N808480S100	<input type="checkbox"/> OSI	3 SCREW AND WASHER ASY	
N808628SSJAEF	<input type="checkbox"/> N808628SSW		4 PIN - RETAINING	BLACK
N808684S100	<input type="checkbox"/> N808684S100		1 BOLT NUT&WSHR M6X1.0 HEX	

N808823S102	<input type="checkbox"/> Refer to Parts Catalog		7 W/SEALER 9
N808842S	<input type="checkbox"/> N808842S		6 PIN
N808842S	<input type="checkbox"/> N808842S		4 PIN
N808842S	<input type="checkbox"/> N808842S		7 PIN
N808842S	<input type="checkbox"/> N808842S		2 PIN
N808859S100	<input type="checkbox"/> N808859S100	<input type="checkbox"/> OSI	8 BOLT
N808860S	<input type="checkbox"/> N808860S	<input type="checkbox"/> OSI	1 CLAMP - FILLER PIPE
N808898S36M	<input type="checkbox"/> N808898S437M		2 SCREW
N808898S36M	<input type="checkbox"/> N808898S437M		2 SCREW
N808898S36M	<input type="checkbox"/> N808898S437M		5 SCREW
N808980S36	<input type="checkbox"/> N808980S36	<input type="checkbox"/> OSI	2 STUD
N811047S36	<input type="checkbox"/> Refer to Parts Catalog		4 SCR&WSHR M6X1X24.5 HEX PIL 9
N811198S309	<input type="checkbox"/> N811198S309		1 NUT - HEX.
N811198S309	<input type="checkbox"/> N811198S309		1 NUT - HEX.
N811306S301	<input type="checkbox"/> N811306S301	<input type="checkbox"/> OSI	1 SCREW
N811306S301	<input type="checkbox"/> N811306S301	<input type="checkbox"/> OSI	1 SCREW
N811309S309	<input type="checkbox"/> N811309S309	<input type="checkbox"/> OSI	1 NUT AND WASHER ASY - HEX.
N811309S309	<input type="checkbox"/> N811309S309	<input type="checkbox"/> OSI	1 NUT AND WASHER ASY - HEX.
N811339S424	<input type="checkbox"/> N811339S424	<input type="checkbox"/> OSI	2 BOLT
N811353S100	<input type="checkbox"/> N811353S100		9 NUT - ADJUSTING SCREW
N811360S309	<input type="checkbox"/> N811360S309	<input type="checkbox"/> OSI	2 BOLT
N811403S426	<input type="checkbox"/> N811403S426	<input type="checkbox"/> OSI	6 BOLT
N811479S301	<input type="checkbox"/> Refer to Parts Catalog		2 SCR&WASH-M8X1.25X8.0 HEX
N811479S301	<input type="checkbox"/> Refer to Parts Catalog		2 SCR&WASH-M8X1.25X8.0 HEX
N811479S301	<input type="checkbox"/> Refer to Parts Catalog		4 SCR&WASH-M8X1.25X8.0 HEX
N811519S	N811519S		2 BUMPER

N811627S100	<input type="checkbox"/> N811627S100	<input type="checkbox"/> OSI	1 BOLT
N811661S100	<input type="checkbox"/> N811661S100	<input type="checkbox"/> OSI	1 STUD
N811677S426	<input type="checkbox"/> N811677S426	<input type="checkbox"/> OSI	4 BOLT
N811808S426	<input type="checkbox"/> N811808S426	<input type="checkbox"/> OSI	1 BOLT
N811833S436	<input type="checkbox"/> N811833S436	<input type="checkbox"/> OSI	4 NUT - ADJUSTING SCREW
N811880S100	<input type="checkbox"/> N811880S100		4 BOLT
N811894S36	<input type="checkbox"/> N811894S36		2 SCREW
W500593S426	<input type="checkbox"/> W500593S426	<input type="checkbox"/> OSI	2 BOLT
W500593S426	<input type="checkbox"/> W500593S426	<input type="checkbox"/> OSI	2 BOLT
W500654S439	<input type="checkbox"/> W500654S439		2 BOLT
W500760S436	<input type="checkbox"/> W500760S436	<input type="checkbox"/> OSI	4 BOLT
W500765S439	<input type="checkbox"/> W500765S439		2 BOLT
W503915S436	<input type="checkbox"/> Refer to Parts Catalog		2 SCREW-TAPPING
W503932S426	<input type="checkbox"/> Refer to Parts Catalog		3 SCREW & WSHR M8X25 HEX CONL PIL 8
W504064S309	<input type="checkbox"/> W504064S309		2 SCREW
W505263S439	<input type="checkbox"/> W505263S439		1 SCREW
W505273S439	<input type="checkbox"/> W505273S439		2 SCREW
W505273S439	<input type="checkbox"/> W505273S439		2 SCREW
W505428S301	<input type="checkbox"/> W505428S301		2 BOLT
W505433S426	<input type="checkbox"/> Refer to Parts Catalog		4 BOLT&WSHR M8X20 HX NP CON
W506421S436	<input type="checkbox"/> W506421S436		2 BOLT
W506580S439	<input type="checkbox"/> W506580S439	<input type="checkbox"/> OSI	8 BOLT
W506824S424	<input type="checkbox"/> W506824S424	<input type="checkbox"/> OSI	4 SCREW
W520102S426	<input type="checkbox"/> W520102S426		7 NUT - FLANGED

W520102S426	<input type="checkbox"/> W520102S426		3 NUT - FLANGED
W520115S441	<input type="checkbox"/> W520115S441	<input type="checkbox"/> OSI	3 NUT - HEX.
W520117S441	<input type="checkbox"/> W520117S441		8 NUT - HEX - RH THREAD
W520413S301	<input type="checkbox"/> W520413S301	<input type="checkbox"/> OSI	1 NUT - FLANGED
W520413S301	<input type="checkbox"/> W520413S301	<input type="checkbox"/> OSI	1 NUT - FLANGED
W520413S301	<input type="checkbox"/> W520413S301	<input type="checkbox"/> OSI	1 NUT - FLANGED
W520803S426	<input type="checkbox"/> W520803S426	<input type="checkbox"/> OSI	1 NUT - HEX.
W520803S426	<input type="checkbox"/> W520803S426	<input type="checkbox"/> OSI	2 NUT - HEX.
W520803S426	<input type="checkbox"/> W520803S426	<input type="checkbox"/> OSI	1 NUT - HEX.
W520823S426	<input type="checkbox"/> W520823S426	<input type="checkbox"/> OSI	3 NUT - ADJUSTING SCREW
W520823S426	<input type="checkbox"/> W520823S426	<input type="checkbox"/> OSI	2 NUT - ADJUSTING SCREW
W520823S426	<input type="checkbox"/> W520823S426	<input type="checkbox"/> OSI	1 NUT - ADJUSTING SCREW
W520823S426	<input type="checkbox"/> W520823S426	<input type="checkbox"/> OSI	2 NUT - ADJUSTING SCREW
W520823S426	<input type="checkbox"/> W520823S426	<input type="checkbox"/> OSI	2 NUT - ADJUSTING SCREW
W611645S36M	<input type="checkbox"/> Refer to Parts Catalog		1 SCR M10 X 20 HEX WASH HD TR
W611645S36M	<input type="checkbox"/> Refer to Parts Catalog		2 SCR M10 X 20 HEX WASH HD TR
W611645S36M	<input type="checkbox"/> Refer to Parts Catalog		1 SCR M10 X 20 HEX WASH HD TR
W620391S36	<input type="checkbox"/> W620391S36	<input type="checkbox"/> OSI	4 NUT - ADJUSTING SCREW
W700101S309	<input type="checkbox"/> W700101S309		2 NUT - HEX.
W701526S437	<input type="checkbox"/> W701526S437		3 BOLT AND WASHER ASY - HEX.HEAD
W701526S437	<input type="checkbox"/> W701526S437		1 BOLT AND WASHER ASY - HEX.HEAD
W701642S900	<input type="checkbox"/> W701642S900	<input type="checkbox"/> OSI	2 NUT - ADJUSTING SCREW
W701805S426	<input type="checkbox"/> W701805S426		4 SCREW
W701815S309	<input type="checkbox"/> W701815S309	<input type="checkbox"/> OSI	1 STUD
W701918S424	<input type="checkbox"/> W701918S424		16 SCREW

W701918S424	<input type="checkbox"/> W701918S424		8 SCREW
W703845S426	<input type="checkbox"/> W703845S426		5 SCREW AND WASHER ASY
W704660S426	<input type="checkbox"/> W704660S426	<input type="checkbox"/> OSI	2 BOLT
W704723S309	<input type="checkbox"/> W704723S309	<input type="checkbox"/> OSI	1 NUT - HEX.
W704750S437	<input type="checkbox"/> W704750S437		1 BOLT
W704801S424	<input type="checkbox"/> Refer to Parts Catalog		0 SCREW M8X30 HEX FLNG PNT CLR T/R
W704802S427	<input type="checkbox"/> W704802S427	<input type="checkbox"/> OSI	7 BOLT
W704988S309	<input type="checkbox"/> W704988S309		1 STUD
W705033S301	<input type="checkbox"/> W705033S301	<input type="checkbox"/> OSI	2 BOLT
W705132S301	<input type="checkbox"/> W705132S301		2 SCREW
W705145S403	<input type="checkbox"/> W705145S403		3 BOLT
W705145S403	<input type="checkbox"/> W705145S403		13 BOLT
W705158S439	<input type="checkbox"/> W705158S439		1 NUT - ADJUSTING SCREW
W705557S301	<input type="checkbox"/> W705557S01		2 NUT - ADJUSTING SCREW
W705557S301	<input type="checkbox"/> W705557S01		3 NUT - ADJUSTING SCREW
W705721S301	<input type="checkbox"/> W705721S301	<input type="checkbox"/> OSI	1 WASHER
W705737S301	<input type="checkbox"/> Refer to Parts Catalog		2 SCREW M8X12 HEX FLNG PNT CLER CTP8
W705741S424	<input type="checkbox"/> W705741S424		4 SCREW
W705756S900	<input type="checkbox"/> W705756S900	<input type="checkbox"/> OSI	2 RIVET
W705758S300	<input type="checkbox"/> W705758S300	<input type="checkbox"/> OSI	1 CLIP - RETAINING
W705790S301	<input type="checkbox"/> W705790S301	<input type="checkbox"/> OSI	1 NUT AND WASHER ASY - HEX.
W705830S900	<input type="checkbox"/> W705830S900	<input type="checkbox"/> OSI	6 SCREW AND LOCKWASHER - ROUND HEAD
W705858S437	<input type="checkbox"/> W705858S437		1 BOLT
W705963S300	<input type="checkbox"/> W705963S300		2 PLUG
W706060S300	<input type="checkbox"/> W706060S300		2 NUT - EXPANSION

W706287S900	<input type="checkbox"/> W706287S900	<input type="checkbox"/> OSI	1 SCREW AND LOCKWASHER ASY	
W706287S900	<input type="checkbox"/> W706287S900	<input type="checkbox"/> OSI	1 SCREW AND LOCKWASHER ASY	
W706287S900	<input type="checkbox"/> W706287S900	<input type="checkbox"/> OSI	2 SCREW AND LOCKWASHER ASY	
W706287S900	<input type="checkbox"/> W706287S900	<input type="checkbox"/> OSI	1 SCREW AND LOCKWASHER ASY	
W706287S900	<input type="checkbox"/> W706287S900	<input type="checkbox"/> OSI	3 SCREW AND LOCKWASHER ASY	
W706287S900	<input type="checkbox"/> W706287S900	<input type="checkbox"/> OSI	1 SCREW AND LOCKWASHER ASY	
W706287S900	<input type="checkbox"/> W706287S900	<input type="checkbox"/> OSI	1 SCREW AND LOCKWASHER ASY	
W706287S900	<input type="checkbox"/> W706287S900	<input type="checkbox"/> OSI	2 SCREW AND LOCKWASHER ASY	
W706345S439	<input type="checkbox"/> W706345S439		1 BOLT	
W706350SSZHBZ	<input type="checkbox"/> W706350SAA	<input type="checkbox"/> OSI	10 RIVET	EBONY
W706391S301	<input type="checkbox"/> Refer to Parts Catalog		6 BOLT&WSHR M6X18 HEX HD SERR CTP 10	
W706413S424	<input type="checkbox"/> W706413S424		2 STUD	
W706413S424	<input type="checkbox"/> W706413S424		2 STUD	
W706755S900	<input type="checkbox"/> W706755S900	<input type="checkbox"/> OSI	2 RETAINER	
W706810S426	<input type="checkbox"/> HM	<input type="checkbox"/> OSI	8 HARDWARE - MISCELLANEOUS	
W706810S426	<input type="checkbox"/> HM	<input type="checkbox"/> OSI	4 HARDWARE - MISCELLANEOUS	
W707243S427	<input type="checkbox"/> W707243S427	<input type="checkbox"/> OSI	2 NUT - ANCHOR	
W707248S300	<input type="checkbox"/> W707248S300		18 NUT	
W707274S426	<input type="checkbox"/> W707274S426		3 BOLT	
W707281S309U	<input type="checkbox"/> W707281S309U		3 COVER ASY - HOUSING	
W707607S424	<input type="checkbox"/> W707607S424		1 SCREW	
W707628S424	<input type="checkbox"/> W707628S424		2 SCREW	
W707628S424	<input type="checkbox"/> W707628S424		11 SCREW	
W707709S300	<input type="checkbox"/> W707709S300		1 NUT - SPECIAL	
W707781S426	<input type="checkbox"/> W707781S426	<input type="checkbox"/> OSI	1 CLIP	

W708099S426	<input type="checkbox"/> W708099S426	<input type="checkbox"/> OSI	2 SCREW	
W708099S426	<input type="checkbox"/> W708099S426	<input type="checkbox"/> OSI	4 SCREW	
W708551S300	<input type="checkbox"/> W708551S300		4 GROMMET	
W708960S301	<input type="checkbox"/> W708960S301	<input type="checkbox"/> OSI	1 BOLT	
W708992S309	<input type="checkbox"/> W708992S309	<input type="checkbox"/> OSI	1 STUD	
W709015S437M	<input type="checkbox"/> N808899S36M	<input type="checkbox"/> OSI	1 SCREW	
W709143S426	<input type="checkbox"/> W709143S426	<input type="checkbox"/> OSI	3 BOLT	
W709296S426	<input type="checkbox"/> W709296S426	<input type="checkbox"/> OSI	1 NUT - HEX.	
W709371S300	<input type="checkbox"/> W709371S300		2 HARDWARE - MISCELLANEOUS	
W709373S426	<input type="checkbox"/> W709373S426	<input type="checkbox"/> OSI	2 BOLT	
W709401S300	<input type="checkbox"/> Refer to Parts Catalog		6 TRIM PIN 7.61X20.1 NYL	
W709520S437	<input type="checkbox"/> W709520S437		2 BOLT	
W709771S427	<input type="checkbox"/> W709771S427	<input type="checkbox"/> OSI	8 NUT - ADJUSTING SCREW	
W709771S427	<input type="checkbox"/> W709771S427	<input type="checkbox"/> OSI	2 NUT - ADJUSTING SCREW	
W709789S439	<input type="checkbox"/> W709789S439		4 BOLT	
W709789S439	<input type="checkbox"/> W709789S439		4 BOLT	
W709860S439	<input type="checkbox"/> W709860S439		4 BOLT	
W710008S439	<input type="checkbox"/> W710008S439		4 NUT - ADJUSTING SCREW	
W710041SS32NB	<input type="checkbox"/> W710041SS32N	<input type="checkbox"/> COMP	2 RETAINER - TRIM PANEL	LIGHT FLIN
W710043S900	<input type="checkbox"/> W710043S900		1 CLAMP - HOSE	
W710044S900	<input type="checkbox"/> W710044S900		1 CLAMP - HOSE	
W710065S439	<input type="checkbox"/> W710065S439		4 NUT - ADJUSTING SCREW	
W710257S441	<input type="checkbox"/> W710257S441	<input type="checkbox"/> OSI	1 RETAINER - NUT	
W710317S439	<input type="checkbox"/> W710317S439		1 BOLT AND WASHER ASY - HEX.HEAD	
W710317S439	<input type="checkbox"/> W710317S439		1 BOLT AND WASHER ASY - HEX.HEAD	

W710440S439	<input type="checkbox"/> W710440S439	<input type="button" value="OSI"/>	2 NUT - ADJUSTING SCREW	
W710831S439	<input type="checkbox"/> W710831S439	<input type="button" value="OSI"/>	1 BOLT	
W710832S439	<input type="checkbox"/> W710832S439		1 BOLT	
W710833S439	<input type="checkbox"/> W710833S439	<input type="button" value="OSI"/>	1 BOLT	
W710834S439	<input type="checkbox"/> W710834S439	<input type="button" value="OSI"/>	1 BOLT	
W710907S439	<input type="checkbox"/> W710907S439		1 RETAINER - NUT	
W710919S441	<input type="checkbox"/> W710919S441	<input type="button" value="OSI"/>	1 NUT	
W711001S900	<input type="checkbox"/> W711001S900		2 BOLT	
W711120S440	<input type="checkbox"/> W711120S440	<input type="button" value="OSI"/>	2 NUT	
W711358S439	<input type="checkbox"/> W711358S439		2 WASHER	
F81A1000192AC	<input type="checkbox"/> F81Z1000154AA	<input type="button" value="OSI"/>	2 INSULATOR	
YC351000193HB	<input type="checkbox"/> F81Z1000155AA		2 INSULATOR	
5C341000193CA	<input type="checkbox"/> Refer to Parts Catalog		4 INS ASY BDY BLT SND LWR	
E1TB1001631AC	<input type="checkbox"/> Refer to Parts Catalog	<input type="button" value="COMP"/>	1 PLATE-VEH IDENT	
F77B1023342AAJABF	<input type="checkbox"/> F37Z1023342A	<input type="button" value="COMP"/>	2 HANDLE - WINDOW REGULATOR	BLACK
1L541031406AAN2B2	<input type="checkbox"/> 2C7Z1031406AAA		1 HANDLE - ASSIST	MED FLINT
1L541031458AAN2B2	<input type="checkbox"/> 2C3Z7831458CAA		2 COVER	MED FLINT
F7TS1520486AA	<input type="checkbox"/> Refer to Parts Catalog		1 DECAL-FMVSS CHASSIS CAB	
4C341522050AA	<input type="checkbox"/> Refer to Parts Catalog	<input type="button" value="COMP"/>	1 LK SET	
F85B1526592AA	<input type="checkbox"/> F85Z1522024AA	<input type="button" value="COMP"/>	2 PLATE - DOOR LOCK STRIKER	
F58B1627756AB	<input type="checkbox"/> Refer to Parts Catalog		2 INS BDY SD PNL	
5C342501605AL	<input type="checkbox"/> 5C3Z2501610AA	<input type="button" value="OSI"/>	1 PANEL ASY - DASH	
5C342502012AC	<input type="checkbox"/> 5C3Z2502012AA	<input type="button" value="COMP"/>	1 PANEL ASY - COWL TOP - OUTER	
5C342502030AR	<input type="checkbox"/> 5C3Z2502030AA		1 PANEL ASY - COWL TOP	
2C342502220AB	<input type="checkbox"/> F81Z2502038AA	<input type="button" value="OSI"/>	1 PANEL ASY - COWL SIDE	
5C342502221AA	F81Z2502039AA		1 PANEL ASY - COWL SIDE	

3C342502222AAYGAA	<input type="checkbox"/>		<input type="checkbox"/>	OSI	1 GRILLE - COWL TOP	BLACK SAT
4C342502223AA5YGY	<input type="checkbox"/>	3C3Z25022A68AAA	<input type="checkbox"/>		1 GRILLE - COWL TOP	BLACK
1C342502348AAN2B0	<input type="checkbox"/>	4C3Z25022A69AAA	<input type="checkbox"/>		1 PANEL - COWL SIDE TRIM	MED FLINT
4C342502349AB32NC	<input type="checkbox"/>	1C3Z2502344AAA	<input type="checkbox"/>		1 PANEL - COWL SIDE TRIM	MED FLINT
2C342502500AC	<input type="checkbox"/>	4C3Z2502345AAC	<input type="checkbox"/>		1 PILLAR - FRONT BODY	
2C342502501AC	<input type="checkbox"/>	F81Z2502500AA	<input type="checkbox"/>	COMP	1 PILLAR - FRONT BODY	
3C342502524AB	<input type="checkbox"/>	F81Z2502501AA	<input type="checkbox"/>	COMP	1 REINFORCEMENT	
3C342502525AA	<input type="checkbox"/>	F81Z2502524AA	<input type="checkbox"/>		1 REINFORCEMENT	
4C342502884AA	<input type="checkbox"/>	F81Z2502525AA	<input type="checkbox"/>		1 REINFORCEMENT	
F81B2502918AA	<input type="checkbox"/>	4C3Z2502884AA	<input type="checkbox"/>		1 SEAL	
3C342503100CC	<input type="checkbox"/>	F81Z2502824AA	<input type="checkbox"/>	OSI	1 GLASS - WINDSCREEN	
F81B2503208AC	<input type="checkbox"/>	3C3Z2503100CB	<input type="checkbox"/>	COMP	3 SE W/S HDR	
2C342503410AE	<input type="checkbox"/>	Refer to Parts Catalog	<input type="checkbox"/>		1 PANEL	
2C342503682AA	<input type="checkbox"/>	F81Z2503410AA	<input type="checkbox"/>		1 MOULDING - WINDSHIELD	
4C342504100AA32NB	<input type="checkbox"/>	YC3Z2503144AA	<input type="checkbox"/>		1 VISOR ASY - SUN	LIGHT FLIN
4C342504101EA32NB	<input type="checkbox"/>	4C3Z2504104AAB	<input type="checkbox"/>	COMP	1 VISOR ASY - SUN	LIGHT FLIN
5C342504302BK32NC	<input type="checkbox"/>	4C3Z2504105EAB	<input type="checkbox"/>	COMP	1 PANEL ASY - INSTRUMENT TRIM	MED FLINT
5C342504304AS32NC	<input type="checkbox"/>	5C3Z2504302BAA	<input type="checkbox"/>		1 PNL ASY INSTR	MED FLINT
YC3X2504481ABN2CH	<input type="checkbox"/>	Refer to Parts Catalog	<input type="checkbox"/>	COMP	1 PANEL	MED FLINT
5C342504810AC32NC	<input type="checkbox"/>	2C3Z2504481AAA	<input type="checkbox"/>	COMP	1 RECEPTACLE AND HOUSING ASY - ASH	MED FLINT
5C342510032AB	<input type="checkbox"/>	5C3Z2504810AAD	<input type="checkbox"/>		1 BRA FRT FLR REINF	
YC352510116AA	<input type="checkbox"/>	Refer to Parts Catalog	<input type="checkbox"/>		1 MEMBER ASY - FLOOR SIDE	
YC352510117AA	<input type="checkbox"/>	F81Z2510110AA	<input type="checkbox"/>	OSI	1 MEMBER ASY - FLOOR SIDE	
4C342510120AA	<input type="checkbox"/>	F81Z2510111AB	<input type="checkbox"/>	OSI	1 MEMBER ASY - FLOOR SIDE	
	<input type="checkbox"/>	4C3Z2510128AA	<input type="checkbox"/>	OSI		

F81B2510121AH	<input type="checkbox"/> F81Z2510121AA		OSI	1 MEMBER ASY - FLOOR SIDE	
YC352510130AA	<input type="checkbox"/> F81Z2510128AA			1 PANEL - BODY ROCKER	
YC352510131AA	<input type="checkbox"/> F81Z2510129AA			1 PANEL - BODY ROCKER	
5C342510608AD	<input type="checkbox"/> Refer to Parts Catalog	COMP		1 SL ASY RR FLR CS RR	
3C342510624AA	<input type="checkbox"/> F81Z2510776AA			1 MEMBER ASY - CROSS - CENTER	
F81B2510684BN	<input type="checkbox"/> F81Z2510684AA			1 CROSS MEMBER ASY - FRONT	
5C342510685BB	<input type="checkbox"/> F81Z2510685AA			1 CROSS MEMBER ASY - FRONT	
1C342510970AA	<input type="checkbox"/> F81Z2510970AA		OSI	1 REINFORCEMENT	
5C342510971AB	<input type="checkbox"/> F81Z2510971AA		OSI	1 REINFORCEMENT	
4C342511113AA	<input type="checkbox"/> Refer to Parts Catalog			1 INS FRT FLR HT LH	
F81B2511271AF	<input type="checkbox"/> F81Z2511262AA		OSI	1 REINFORCEMENT - FLOOR PAN	
5C342511454AC	<input type="checkbox"/> 5C3Z2511172AA	COMP	OSI	1 INSULATOR - FLOOR	
3C342513000AEJAD2	<input type="checkbox"/> 3C3Z2513010AAA			1 MAT - FLOOR	BLACK
F81B2513284AA	<input type="checkbox"/> F81Z2513284AA			10 RETAINER	
3C342520204AA	<input type="checkbox"/> YC3Z2520200AA		OSI	1 DOOR ASY - FRONT	
3C342520205AA	<input type="checkbox"/> YC3Z2520201AA		OSI	1 PANEL ASY - DOOR - OUTER	
3C342520220BA	<input type="checkbox"/> Refer to Parts Catalog			1 PNL FRT DR I/S	
3C342520221BA	<input type="checkbox"/> Refer to Parts Catalog			1 PNL FRT DR I/S	
3C342520394AA	<input type="checkbox"/> Refer to Parts Catalog			2 INS DR INR PNL SND UPR	
F81B2520470AC	<input type="checkbox"/> Refer to Parts Catalog			1 REINF FRT DR O/S PNL FRT RH	
F81B2520471AC	<input type="checkbox"/> Refer to Parts Catalog			1 REINF FRT DR O/S PNL FRT LH	
4C342520556AA	<input type="checkbox"/> F81Z2520556AA		OSI	1 SEAL - DOOR FRONT AND REAR	
4C342520557AA	<input type="checkbox"/> 4C3Z2520557A		OSI	1 SEAL - DOOR FRONT AND REAR	
4C342520708AA	<input type="checkbox"/> 3C3Z2520708AA			2 WEATHERSTRIP ASY - DOOR OPENING	
F81B2521208AB	<input type="checkbox"/> Refer to Parts Catalog			1 STRN FRT DR O/S PNL RH	

F81B2521209AB	<input type="checkbox"/> Refer to Parts Catalog			1 STRN FRT DR O/S PNL LH	
3C342521434AA	<input type="checkbox"/> 3C3Z2521456AA		<input type="button" value="OSI"/>	1 WEATHERSTRIP - DOOR BELT	
3C342521435AA	<input type="checkbox"/> 3C3Z2521457AA		<input type="button" value="OSI"/>	1 WEATHERSTRIP - DOOR BELT	
5C342522400AA5YGY	<input type="checkbox"/> 5C3Z2522404AAA	<input type="button" value="COMP"/>	<input type="button" value="OSI"/>	1 HANDLE ASY - DOOR - OUTER	BLACK
5C342522401AA5YGY	<input type="checkbox"/> 5C3Z2522405AAA	<input type="button" value="COMP"/>	<input type="button" value="OSI"/>	1 HANDLE ASY - DOOR - OUTER	BLACK
1C342522600BAJADS	<input type="checkbox"/> F81Z2522600BA		<input type="button" value="OSI"/>	1 HANDLE ASY - DOOR - INNER	BLACK
1C342522601BAJADS	<input type="checkbox"/> F81Z2522601BA		<input type="button" value="OSI"/>	1 HANDLE ASY - DOOR - INNER	BLACK
F81B2522634ABJAEA	<input type="checkbox"/> F81Z2522634AAA			2 CUP - HANDLE	BLACK
2C3A2522800AA	<input type="checkbox"/> F81Z2522800AA			2 HINGE ASY	
2C3A2522810AA	<input type="checkbox"/> F81Z2522810AA			2 HINGE ASY	
YC352522868AB	<input type="checkbox"/> Refer to Parts Catalog			1 REINF FRT DR HGE ON DR RH	
YC352522869AB	<input type="checkbox"/> Refer to Parts Catalog			1 REINF FRT DR HGE ON DR LH	
3C342523200AA	<input type="checkbox"/> 3C3Z2523200AA		<input type="button" value="OSI"/>	1 REGULATOR ASY	
3C342523201AA	<input type="checkbox"/> 3C3Z2523201AA		<input type="button" value="OSI"/>	1 REGULATOR ASY	
4C342523942DA1DS4	<input type="checkbox"/> 5C3Z2523942DAB	<input type="button" value="COMP"/>		1 PANEL ASY - DOOR TRIM	FLINT/CHA BLK
4C342523943DA1DS4	<input type="checkbox"/> 5C3Z2523943DAB	<input type="button" value="COMP"/>		1 PANEL ASY - DOOR TRIM	FLINT/CHA BLK
F81B2524018AB	<input type="checkbox"/> F81Z2523820AA			2 REFLECTOR ASY	
2C342525076AA	<input type="checkbox"/> YC3Z2525076AA			4 BUMPER	
F81B2528364AG	<input type="checkbox"/> F81Z2528364AA		<input type="button" value="OSI"/>	1 REINFORCEMENT - B PILLAR	
F81B2528365AG	<input type="checkbox"/> F81Z2528365AA		<input type="button" value="OSI"/>	1 REINFORCEMENT - B PILLAR	
3C342531458ABN2B0	<input type="checkbox"/> 2C3Z2531458BAA			4 COVER	MED FLINT
4C342540304AB	<input type="checkbox"/> 4C3Z2540300AA		<input type="button" value="OSI"/>	1 PANEL ASY - BACK	
2C342540476AB	<input type="checkbox"/> F81Z2540476AA			1 PANEL	
2C342540477AB	<input type="checkbox"/> F81Z2540477AA			1 PANEL	
4C342540484AB	<input type="checkbox"/> F81Z2540484AA			1 PANEL	

F81B2542006AA	<input type="checkbox"/> F81Z2542006AA		1 GLASS - REAR WINDOW	
1C342542082AA	<input type="checkbox"/> 1C3Z2542084AA		1 WEATHERSTRIP - BACK WINDOW	
F81B2550202BN	<input type="checkbox"/> F81Z2550202BA		1 PANEL ASY - ROOF	
4C342551222AB	<input type="checkbox"/> 4C3Z2551222AA	OSI	1 WEATHERSTRIP	
4C342551223AB	<input type="checkbox"/> 4C3Z2551223AA	OSI	1 WEATHERSTRIP	
5C342551968AA32NB	<input type="checkbox"/> 5C3Z2551944AAA		1 PANEL - ROOF TRIM - CENTRE	LIGHT FLIN
5C342560004BA32NC	<input type="checkbox"/> Refer to Parts Catalog		1 KIT ST DRVR	MED FLINT
3C342560262AAN2B7	<input type="checkbox"/> Refer to Parts Catalog		2 CVR FRT ST SHLDR STRP GID	MED FLINT
3C342613530ABJAFB	<input type="checkbox"/> 3C3Z2606202AAA		1 BOX ASY - STOWAGE	BLACK
F8DB5421982AD	<input type="checkbox"/> F75Z7822008AA	OSI	2 STRIKER - DOOR LOCKING MECHANISM	
E63B5423370BAJABD	<input type="checkbox"/> E9TZ1023370A		2 PLATE	BLACK
E7EB5802354AAN2B1	<input type="checkbox"/> E7EZ6302354AAA	COMP	2 RETAINER - TRIM PANEL	MEDIUM FL
F2CB5867823AA	<input type="checkbox"/> Refer to Parts Catalog		3 NUT-M8 X 1.25 HEX FLG LK P/T	
F2CB5867823AA	<input type="checkbox"/> Refer to Parts Catalog		2 NUT-M8 X 1.25 HEX FLG LK P/T	
5C347801670AD	<input type="checkbox"/> 5C3Z7801670AA	OSI	1 INSULATOR - DASH PANEL	
3C347804132AAN2B5	<input type="checkbox"/> 2C3Z7804132AAD		2 RETAINER - SUN VISOR	LT. FLINT
2C347811140AE	<input type="checkbox"/> 2C3Z7811135AA	OSI	1 PAN ASY - FLOOR - FRONT	
4C347821596AB	<input type="checkbox"/> 3C3Z7821536AA	COMP	1 RUN - DOOR GLASS	
5C347863387AF3JA6	<input type="checkbox"/> 5C3Z7863388AAB	OSI	2 COVER	BLACK
F75B15228A32AA	<input type="checkbox"/> F75Z15228A32AA	OSI	4 PLATE	
4C3415602B82AA3JA6	<input type="checkbox"/> 4C3Z15602B82AAA	OSI	2 ADJUSTER - SEAT WITH HEIGHT ADJUST	BLACK
F58B16021B02AB	<input type="checkbox"/> Refer to Parts Catalog		4 SEAL-CWL SD INR PNL	
5C3425016A92AB	<input type="checkbox"/> Refer to Parts Catalog	COMP	1 REINF ASY D/PNL AT CL PDL SUPT	
4C3425017B24AA	<input type="checkbox"/> 4C3Z25016B96AA	OSI	1 SEAL	
5C3425017B54AB	<input type="checkbox"/> 5C3Z25017B54AA		1 INSULATOR - DASH PANEL	

5C3425020A17AD	<input type="checkbox"/> Refer to Parts Catalog			1 REINF CWL TOP PNL SD UPR	
4C3425020C40AA	<input type="checkbox"/> 4C3Z2502408AA			1 SHIELD - WATER SPLASH	
5C3425022A07AB	<input type="checkbox"/> Refer to Parts Catalog			1 REINF CWL TOP INR PNL LH	
2C3425023A60AB	<input type="checkbox"/> YC3Z25023A60AA		OSI	1 INSULATOR - COWL PANEL	
F81B25023A61AE	<input type="checkbox"/> F81Z25023A61AA			1 INSULATOR - COWL PANEL	
2C3425024A78ACN2E7	<input type="checkbox"/> 2C3Z25024A78AAA			1 COVER - INSTR. PANEL - CO-DRIVER	MED FLINT
4C3425025B50AA32NC	<input type="checkbox"/> Refer to Parts Catalog	COMP		1 MLDG & HNDL ASY FRT BDY PLR	MED FLINT
4C3425025B51AA32NC	<input type="checkbox"/> Refer to Parts Catalog	COMP		1 MLDG & HNDL ASY FRT BDY PLR LH	MED FLINT
3C3425025K10AA	<input type="checkbox"/> YC3Z25025K10AA			1 INSULATOR	
3C3425025K11AA	<input type="checkbox"/> YC3Z25025K11AA			1 INSULATOR	
1C3425026A46AA	<input type="checkbox"/> Refer to Parts Catalog			2 SE ASY FRT BDY UPR INR PLR	
F81B25026A76AB	<input type="checkbox"/> Refer to Parts Catalog			1 TPE FRT BDY PLR SGT	
F81B25026A76AB	<input type="checkbox"/> Refer to Parts Catalog			2 TPE FRT BDY PLR SGT	
4C3425043B13AB3JA6	<input type="checkbox"/> 2L3Z15043B13AAG		OSI	1 MODULE	BLACK
2C3425043C54BAN2E7	<input type="checkbox"/> 2C3Z25043C54BAA	COMP		3 COVER ASY	MED FLINT
5C3425044A74AC32NC	<input type="checkbox"/> 5C3Z25044A74AAA	COMP	OSI	1 MODULE	MED FLINT
5C3425044D70AE35B8	<input type="checkbox"/> 5C3Z25044D70CAB	COMP		1 PANEL - INSTRUMENT	CHARCOAL
5C3425044D82AA35B8	<input type="checkbox"/> 5C3Z25044D82AAC			1 COVER	CHARCOAL
5C3425044F08AB32NC	<input type="checkbox"/> 5C3Z2504459AAA			1 COVER ASY	MED FLINT
5C3425044F46AC32NC	<input type="checkbox"/> 5C3Z26061B44AAA			1 COVER ASY	MED FLINT
4C3425044F60AA	<input type="checkbox"/> 4C3Z25044F50A			1 HOUSING - ASH RECEPTACLE	
2C3X25044H40ADN2CH	<input type="checkbox"/> 2C3Z25044F58AAC			1 COVER	MED FLINT
5C3425044J53CD1DTM	<input type="checkbox"/> 5C3Z2513546CAA			1 BOX - UTILITY - LESS HOUSING	BLACK
5C3425047A04AC3JA6	<input type="checkbox"/> 5C3Z25047A04AAA	COMP		1 BEZEL	BLACK
5C3425047A04JD3JA6	<input type="checkbox"/> 5C3Z25047A04JAA	COMP		1 BEZEL	BLACK

4C3425101C50AA	<input type="checkbox"/> 4C3Z25101C50AA			1 SEAL	
4C3425101C51AA	<input type="checkbox"/> 4C3Z25101C51AA			1 SEAL	
4C3425111A15AB	<input type="checkbox"/> Refer to Parts Catalog			1 PAN FRT FLR RR	
4C3425111C08AA	<input type="checkbox"/> Refer to Parts Catalog			12 SE FRT FLR PAN	
3C3425111C92AAJAEA	<input type="checkbox"/> F81Z25111C92AAA			1 COVER	BLACK
4C3425112A64BA	<input type="checkbox"/> E8TZ15111A74A	<input type="button" value="COMP"/>	<input type="button" value="OSI"/>	1 COVER - ACCESS HOLE	
2C3425132A12AC1CW0	<input type="checkbox"/> 2C7Z2513208AAB			1 PLATE - DOOR SCUFF	MEDIUM FL
3C3425132A13AA1CW0	<input type="checkbox"/> 2C7Z2513209AAB		<input type="button" value="OSI"/>	1 PLATE - DOOR SCUFF	MEDIUM FL
F81B25203A16AA	<input type="checkbox"/> F81Z25203A16AA			2 INSULATOR	
2C3425214A50AA	<input type="checkbox"/> F81Z2521410AA	<input type="button" value="COMP"/>	<input type="button" value="OSI"/>	1 GLASS	
4C3425214A51AA	<input type="checkbox"/> 4C3Z2521411AA	<input type="button" value="COMP"/>	<input type="button" value="OSI"/>	1 GLASS	
5C3425219A64AB3JA6	<input type="checkbox"/> 5C3Z25219A64AAA	<input type="button" value="COMP"/>	<input type="button" value="OSI"/>	1 LATCH	BLACK
5C3425219A65AB3JA6	<input type="checkbox"/> 5C3Z25219A65AAA	<input type="button" value="COMP"/>	<input type="button" value="OSI"/>	1 LATCH	BLACK
F81B25224A34ACB5I3	<input type="checkbox"/> 5C3Z25224A34AAA	<input type="button" value="COMP"/>	<input type="button" value="OSI"/>	1 COVER	CHARCOAI
F81B25224A35ACB5I3	<input type="checkbox"/> 5C3Z25224A35AAA	<input type="button" value="COMP"/>	<input type="button" value="OSI"/>	1 COVER	CHARCOAI
3C3425237A04AB	<input type="checkbox"/> Refer to Parts Catalog			1 SHLD DR TR WTR	
3C3425237A05AB	<input type="checkbox"/> Refer to Parts Catalog			1 SHLD DR TR WTR	
1C3425278A24AA	<input type="checkbox"/> F81Z25280A58AA		<input type="button" value="OSI"/>	1 PANEL - BODY SIDE REAR CORNER	
1C3425278A25AA	<input type="checkbox"/> F81Z25280A59AA		<input type="button" value="OSI"/>	1 PANEL - BODY SIDE REAR CORNER	
3C3425278D12AJN2B0	<input type="checkbox"/> 3C3Z25278D12AAB			1 PANEL - TRIM	MED FLINT
3C3425278D13AJN2B0	<input type="checkbox"/> 3C3Z25278D13AAB			1 PANEL - TRIM	MED FLINT
4C3425403E32AB	<input type="checkbox"/> 4C3Z2540492BA			1 REINFORCEMENT	
5C3425424B48AA3ZHE	<input type="checkbox"/> 5C3Z2540374AAA			1 TRIM ASY - BACK PANEL	EBONY
YC3525502A74AA	<input type="checkbox"/> F81Z25502A74AA			1 REINFORCEMENT	
F81B25513A12AD	<input type="checkbox"/> F81Z25513A12AA		<input type="button" value="OSI"/>	1 RAIL ASY - ROOF - SIDE	

F81B25513A13AD	<input type="checkbox"/> F81Z25513A13AA	<input type="checkbox"/> OSI	1 RAIL ASY - ROOF - SIDE	
2C3425513A30AB	<input type="checkbox"/> F81Z25513A30AA		1 RAIL ASY - ROOF - SIDE	
YC3525513A31AA	<input type="checkbox"/> F81Z25513A31AA		1 RAIL ASY - ROOF - SIDE	
F81B25513B02AA	<input type="checkbox"/> F81Z25513B02AA		1 RETAINER	
F81B25513B03AA	<input type="checkbox"/> F81Z25513B03AA		1 RETAINER	
F81B25517A72AKW4AM	<input type="checkbox"/> YC3Z2551728PTM	<input type="checkbox"/> COMP	1 MOULDING - ROOF SIDE TRIM	WHITE
F81B25517A73AKW4AM	<input type="checkbox"/> YC3Z2551729PTM		1 MOULDING - ROOF SIDE TRIM	WHITE
F81B25602B90AAN2B7	<input type="checkbox"/> 2C3Z25602B90AAA		2 COVER	MED FLINT
5C3425611B08AA32NC	<input type="checkbox"/> 5C3Z25611B08AAB	<input type="checkbox"/> OSI	1 SEAT BELT ASY	MED FLINT
5C3425611B09AA32NC	<input type="checkbox"/> 5C3Z25611B09AAB	<input type="checkbox"/> OSI	1 SEAT BELT ASY	MED FLINT
3C3426613D20AA	<input type="checkbox"/> 1C3Z26613D74AA	<input type="checkbox"/> OSI	2 KIT - CHILD SEAT ANCHORAGE	
3C3A54280B62BA	<input type="checkbox"/> 3C3Z54280B62BA		2 GRILLE - AIR INLET	
F2DB54290C14ACN2CI	<input type="checkbox"/> 2C3Z2529024AAA		2 HOOK ASY	MED FLINT
F4ZB63030A12AC	<input type="checkbox"/> F4ZZ63030A12A	<input type="checkbox"/> OSI	2 SPACER - WINDSHIELD GLASS OPENING	
F7LB63111A74AA	<input type="checkbox"/> F7LZ63111A74AA		2 COVER PLATE	
LINESEQFRTBMPR	<input type="checkbox"/> Refer to Parts Catalog		1	
LINESEQF6B7D	<input type="checkbox"/> Refer to Parts Catalog		1	
LINESEQRRBMPR	<input type="checkbox"/> Refer to Parts Catalog		1	
LINESEQ131FRAME	<input type="checkbox"/> Refer to Parts Catalog		1	
LINESEQ14405	<input type="checkbox"/> Refer to Parts Catalog		1	
BAO390VIN	<input type="checkbox"/> Refer to Parts Catalog		8 (
3L342475AA	<input type="checkbox"/> 4L3Z2475AA		1 RETAINER	
F4TA4338AA	<input type="checkbox"/> F5UZ4022A		1 VENT ASY - REAR AXLE	
ESAM6C25A	<input type="checkbox"/> Refer to Parts Catalog		0 SPEC FLUID HYD BRK	
ESBM7C53A3LBDR	<input type="checkbox"/> Refer to Parts Catalog		0 RUST PREVENT COMP WAX TYPE	

48ZF70595	<input type="checkbox"/> Refer to Parts Catalog				2	PROTECTOR DR EDGE 5	
WSBM8B16A2GA	<input type="checkbox"/> Refer to Parts Catalog				0	WINDSHIELD WASHER FLUID DILUTED, I	
1W138101AA	<input type="checkbox"/> 1W1Z8100AA			COMP	1	CAP - RAD - WITH PRESS RELIEF VALVE	
2L1T9341AA	<input type="checkbox"/> 2L1Z9341AA				1	SWITCH ASY	
ONEALLPROOFTF7	<input type="checkbox"/> Refer to Parts Catalog				1		
2004J2PROOFTF7	<input type="checkbox"/> Refer to Parts Catalog				1		
WSSM1C267A1	<input type="checkbox"/> Refer to Parts Catalog				0	GREASE LITHIUM COMPLEX SOAP- LUBE	
WSSM1J215A	<input type="checkbox"/> Refer to Parts Catalog				0	PAINT SPEC	
F87B13480AB	<input type="checkbox"/> F87Z13480AA	SW5219			1	SWITCH ASY - STOP LIGHT	
98AG15052AB	<input type="checkbox"/> XF2Z15052AA			COMP	1	KNOB AND ELEMENT - CIGAR LIGHTER	
3C3416720AA1DFF	<input type="checkbox"/> 3C3Z16720AAB				0	DECAL - MODEL IDENTIFICATION	ARIZ BGE/F
3C3416720AA1DIU	<input type="checkbox"/> 3C3Z16720AAA				0	DECAL - MODEL IDENTIFICATION	SILVER/RE
3C3416720BA1DFF	<input type="checkbox"/> 3C3Z16720BAB				0	DECAL - MODEL IDENTIFICATION	ARIZ BGE/F
3C3416720BA1DIU	<input type="checkbox"/> 3C3Z16720BAA				0	DECAL - MODEL IDENTIFICATION	SILVER/RE
YF1A17528AE	<input type="checkbox"/> YF1Z17528AB	WW2023			2	BLADE ASY - WIPER	
C9OA2A309A	<input type="checkbox"/> C9OZ2A309AA				1	BUSH - PUSH ROD	
ESPM2C166H	<input type="checkbox"/> Refer to Parts Catalog				0	FLUID-AUTOMATIC TRANSMISSION	
ESPM2C166HGATO	<input type="checkbox"/> Refer to Parts Catalog				0	TM ASY-VAC PMP	
WSAM2C195A	<input type="checkbox"/> Refer to Parts Catalog				1	OIL - POWER STEERING	
WSBM2G314BQT	<input type="checkbox"/> Refer to Parts Catalog				0	PRIMER, GLASS	
WSBM2G373B1A	<input type="checkbox"/> Refer to Parts Catalog				0	ADHESIVE EPOXY	
WSBM2G373B1B	<input type="checkbox"/> Refer to Parts Catalog				0	ADHESIVE, HEM FLANGE, STEEL BONDIN	
ESBM3G58AXANXXXX	<input type="checkbox"/> Refer to Parts Catalog				0	TAPE 1.50W	
ESBM4G250A	<input type="checkbox"/> Refer to Parts Catalog				0	SEALER-VINYL-THUMB-PNTBL	
ESBM4G316A2	<input type="checkbox"/> Refer to Parts Catalog				0	REPAIR SEALER/EPOXY/LOW	

WSBM4G348AGADR	<input type="checkbox"/> Refer to Parts Catalog		FLOW	
F81A7R314AB	<input type="checkbox"/> F81Z6096AB	<input type="checkbox"/> OSI	0 SEALER EXPANDING, PUMPABLE,ANTI FL	
5C349N589AE	<input type="checkbox"/> 5C3Z9N589AA		1 BRACKET	
5C349N589EA	<input type="checkbox"/> 5C3Z9N589EA		2 CLIP	
WSSM99P30A2	<input type="checkbox"/> Refer to Parts Catalog		3 CLIP	
E9EB14A459DA	<input type="checkbox"/> Refer to Parts Catalog		1 PERFORMANCE, SPRAYABLE COATING,	
4C3T14A594AA	<input type="checkbox"/> 4C3Z14A594AA	<input type="checkbox"/> OSI	0 CONN	
4C3T14A594BA	<input type="checkbox"/> 4C3Z14A594BA	<input type="checkbox"/> OSI	0 RETAINER	
5C3T14A594BA	<input type="checkbox"/> 5C3Z14A594BA		0 RETAINER	
2C7T14N003AA	<input type="checkbox"/> 2C7Z14A003AA		1 CONNECTOR	
3C3417D698ABJAF2	<input type="checkbox"/> F81Z17K709AAJ		1 COVER	BLACK
3C3417D699ABJAF2	<input type="checkbox"/> F81Z17K709AAK		1 COVER	BLACK
E9AD19E523AA	<input type="checkbox"/> Refer to Parts Catalog		0 TAPE-PRESS SENTVE	
4C3419E523AA	<input type="checkbox"/> Refer to Parts Catalog		1 TPE MSK	
3C3419H252AA	<input type="checkbox"/> Refer to Parts Catalog		8 RET RIV	
3C3419T201AA	<input type="checkbox"/> Refer to Parts Catalog		0 BOK-FEAT	
3C3419T201HA	<input type="checkbox"/> Refer to Parts Catalog		0 BOK-FEAT	
3C3419T201JA	<input type="checkbox"/> Refer to Parts Catalog		0 BOK-FEAT	
3C3419T201KA	<input type="checkbox"/> Refer to Parts Catalog		0 BOK-FEAT	
3L3419T201EA	<input type="checkbox"/> Refer to Parts Catalog		0 BOK-FEAT (TIRE WRNT GOODYEAR)	
377678S	<input type="checkbox"/> 377678S		4 PLUG	
377977S	<input type="checkbox"/> 377977S		-2 PLUG - BLANKING	
377977S	<input type="checkbox"/> 377977S		1 PLUG - BLANKING	
377977S	<input type="checkbox"/> 377977S		2 PLUG - BLANKING	

380699S100	<input type="checkbox"/> 380699S100		1 PIN
381801S58	<input type="checkbox"/> 381801S2		1 SCREW - LOCKING SLEEVE
382601S100	<input type="checkbox"/> W701834S439		0 SCREW AND WASHER ASY
385116S2	<input type="checkbox"/> 385116S2		2 BOLT
385116S2	<input type="checkbox"/> 385116S2		2 BOLT
388930S	<input type="checkbox"/> 388930S		6 PIN
388949S	<input type="checkbox"/> EOAZ2149B		4 WASHER
389621S	<input type="checkbox"/> F6DZ74103B44AA	<input type="checkbox"/> OSI	3 MEMBER - REAR FLOOR CROSS
389621S	<input type="checkbox"/> XF2Z16107A94AA	<input type="checkbox"/> OSI	2 CROSS MEMBER ASY - REAR SEAT
390345S36	<input type="checkbox"/> 390345S36	<input type="checkbox"/> OSI	2 SCREW
N606673S301	<input type="checkbox"/> Refer to Parts Catalog		1 SCR&WASH M6X1.0X14.5 HEX HD PIL 9
N606676S436	<input type="checkbox"/> Refer to Parts Catalog		2 SCR&WASH M6X1X20 HEX HD PIL 9
N606676S436	<input type="checkbox"/> Refer to Parts Catalog		2 SCR&WASH M6X1X20 HEX HD PIL 9
N606677S36	<input type="checkbox"/> N606677S36		-4 SCREW AND WASHER ASY
N606677S36	<input type="checkbox"/> N606677S36		4 SCREW AND WASHER ASY
N611043S58	<input type="checkbox"/> N611043S58		2 SCREW
N620370S36	<input type="checkbox"/> N620370C1	<input type="checkbox"/> OSI	4 NUT
N620482S2	<input type="checkbox"/> N620481S2	YF1581	1 NUT
N620482S436	<input type="checkbox"/> Refer to Parts Catalog		2 NUT M10X1.5 HEX FLG LOCK P/T 9
N800925S36	<input type="checkbox"/> Refer to Parts Catalog		4 NUT M6X1.0ULOCK 9
N800925S36	<input type="checkbox"/> Refer to Parts Catalog		2 NUT M6X1.0ULOCK 9
N801527S2	<input type="checkbox"/> N801527S2		1 WASHER
N802455S439	<input type="checkbox"/> N802455S439		2 SCREW - SELF-TAPPING
N802793S102	<input type="checkbox"/> N802793S102		2 NUT
N802793S102	<input type="checkbox"/> N802793S102		3 NUT

N803267S	<input type="checkbox"/> N803267S		4 NUT - ANCHOR
N804322S	<input type="checkbox"/> N804322S		2 NUT - ADJUSTING SCREW
N804322S	<input type="checkbox"/> N804322S		2 NUT - ADJUSTING SCREW
N804804S439	<input type="checkbox"/> N804804S439		3 SCREW
N804804S439	<input type="checkbox"/> N804804S439		2 SCREW
N804804S439	<input type="checkbox"/> N804804S439		3 SCREW
N804837S	<input type="checkbox"/> N804837S		2 RIVET
N805376S	<input type="checkbox"/> Refer to Parts Catalog		1 NUT-M6X25.6X4.8 ROUND WELD
N805376S	<input type="checkbox"/> Refer to Parts Catalog		1 NUT-M6X25.6X4.8 ROUND WELD
N806085S426	<input type="checkbox"/> N806085S426	<input type="checkbox"/> OSI	2 NUT - ADJUSTING SCREW
N806285S	<input type="checkbox"/> Refer to Parts Catalog		-4 NUT M6.0 PROJ. ROUND WELD
N806285S	<input type="checkbox"/> Refer to Parts Catalog		-1 NUT M6.0 PROJ. ROUND WELD
N806285S	<input type="checkbox"/> Refer to Parts Catalog		1 NUT M6.0 PROJ. ROUND WELD
N806285S	<input type="checkbox"/> Refer to Parts Catalog		1 NUT M6.0 PROJ. ROUND WELD
N806285S	<input type="checkbox"/> Refer to Parts Catalog		4 NUT M6.0 PROJ. ROUND WELD
N806285S	<input type="checkbox"/> Refer to Parts Catalog		4 NUT M6.0 PROJ. ROUND WELD
N806285S	<input type="checkbox"/> Refer to Parts Catalog		1 NUT M6.0 PROJ. ROUND WELD
N806285S	<input type="checkbox"/> Refer to Parts Catalog		1 NUT M6.0 PROJ. ROUND WELD
N806739S	<input type="checkbox"/> N806739S		2 PLUG BUTTON-25.0 X 31.0 OBLONG
N806967S439	<input type="checkbox"/> N806967S439		2 BOLT
N807493S100	<input type="checkbox"/> N807493S100		1 SCREW
N808381S426	<input type="checkbox"/> N808381S426	<input type="checkbox"/> OSI	2 NUT - HEX. - U-BOLT
N808453S424	<input type="checkbox"/> N808453S424		4 SCREW
N808727S307	<input type="checkbox"/> N808727S307		2 SCREW AND LOCKWASHER - ROUND HEAD
N808790S	<input type="checkbox"/> Refer to Parts Catalog		4 STRAP 200MM BUNDLING ADJUSTABLE

N811518S	<input type="checkbox"/> N811518S		2 BUMPER - ADJUSTABLE
W500653S439	<input type="checkbox"/> W500653S439		2 BOLT
W500653S439	<input type="checkbox"/> W500653S439		2 BOLT
W505273S439	<input type="checkbox"/> W505273S439		4 SCREW
W520101S2	<input type="checkbox"/> W520101S2		3 NUT
W520101S2	<input type="checkbox"/> W520101S2		2 NUT
W520832S439	<input type="checkbox"/> W520832S439		1 NUT - ADJUSTING SCREW
W520834S441	<input type="checkbox"/> W520834S426	<input type="button" value="OSI"/>	2 NUT - SPRING
W525055S300	<input type="checkbox"/> W525055S300	<input type="button" value="OSI"/>	6 RIVET
W525057S300	<input type="checkbox"/> W525057S300	<input type="button" value="OSI"/>	8 RIVET
W611636S2	<input type="checkbox"/> W611636S2		3 SCREW
W623484S2	<input type="checkbox"/> W623484S2		4 NUT - HEX.
W704927S300	<input type="checkbox"/> Refer to Parts Catalog		1 STRAP BUNDLING 115MM
W705145S403	<input type="checkbox"/> W705145S403		2 BOLT
W705145S403	<input type="checkbox"/> W705145S403		4 BOLT
W705158S439	<input type="checkbox"/> W705158S439		3 NUT - ADJUSTING SCREW
W705158S439	<input type="checkbox"/> W705158S439		3 NUT - ADJUSTING SCREW
W705182S300	<input type="checkbox"/> Refer to Parts Catalog		2 NUT WELD 6MM RD PIL 8
W705201S439	<input type="checkbox"/> W705201S439		6 BOLT
W705557S301	<input type="checkbox"/> W705557S01		-2 NUT - ADJUSTING SCREW
W705557S301	<input type="checkbox"/> W705557S01		2 NUT - ADJUSTING SCREW
W707334S436	<input type="checkbox"/> Refer to Parts Catalog		1 CLIP 12.7 HOSE PUSH-ON MTL
W707628S424	<input type="checkbox"/> W707628S424		4 SCREW
W707628S424	<input type="checkbox"/> W707628S424		4 SCREW
W707628S424	<input type="checkbox"/> W707628S424		2 SCREW
W709371S300	W709371S300		6 HARDWARE - MISCELLANEOUS

W709615S900	<input type="checkbox"/> W709615S900		1 NUT
W709856S439	<input type="checkbox"/> W709856S439		2 BOLT
W710518S439	<input type="checkbox"/> W710518S439		1 CLIP
W710563S439	<input type="checkbox"/> W710563S439		2 NUT - ADJUSTING SCREW
4C341000192LA	<input type="checkbox"/> 4C3Z1000154LA	<input type="button" value="OSI"/>	2 INSULATOR
5C341000192AA	<input type="checkbox"/> 5C3Z1000154AA	<input type="button" value="OSI"/>	2 INSULATOR
2U5A1520472AA	<input type="checkbox"/> Refer to Parts Catalog		1 DECAL-SAFETY CERT (ENGLISH)
F81B2502716AA	<input type="checkbox"/> Refer to Parts Catalog		1 SEAL-FRT BODY PLR
3C342511270AA	<input type="checkbox"/> F81Z2511262BA		1 REINFORCEMENT - FLOOR PAN
F81B2520254AA	<input type="checkbox"/> Refer to Parts Catalog		1 REINF FRT DR O/S PNL RR RH
F81B2520255AA	<input type="checkbox"/> Refer to Parts Catalog		1 REINF FRT DR O/S PNL RR LH
F81B2520498AC	<input type="checkbox"/> Refer to Parts Catalog		1 REINF FRT DR I/S PNL @ BEL RH
F81B2520499AC	<input type="checkbox"/> Refer to Parts Catalog		1 REINF FRT DR I/S PNL @ BEL LH
1C342520758AA	<input type="checkbox"/> 1C3Z2520758AA	<input type="button" value="OSI"/>	2 WEATHERSTRIP - DOOR - LOWER
F81B2521124AD	<input type="checkbox"/> Refer to Parts Catalog		1 REINF FRT DR O/S PNL @ BEL RH
F81B2521125AD	<input type="checkbox"/> Refer to Parts Catalog		1 REINF FRT DR O/S PNL @ BEL LH
3C342521452AA	<input type="checkbox"/> F81Z2521452AA		1 WEATHERSTRIP ASY - DOOR WINDOW
3C342521453AA	<input type="checkbox"/> F81Z2521453AA		1 WEATHERSTRIP ASY - DOOR WINDOW
YC352523552AA	<input type="checkbox"/> F81Z2523552AA		2 CHECK ASY - DOOR
F81B2551132AB	<input type="checkbox"/> Refer to Parts Catalog		2 SE RF SD RL OTR FRT
F81B2554382AD	<input type="checkbox"/> Refer to Parts Catalog		2 SE ASY RF PNL
4C347821597AB	<input type="checkbox"/> 3C3Z7821537AA	<input type="button" value="COMP"/> <input type="button" value="OSI"/>	1 RUN - DOOR GLASS
F81B25020C18AC	<input type="checkbox"/> F81Z25020C18AA		1 SEAL
4C3425021A12AA	<input type="checkbox"/> 4C3Z25021A12AA		1 REINFORCEMENT - COWL SIDE PANEL

[4C3425021A13AA](#)

4C3Z25021A13AA

1 REINFORCEMENT - COWL SIDE
PANEL

[F81B25021B02AA](#)

Refer to Parts Catalog

2 SE - CWL SD INR PNL

[F81B25025A48AA](#)

Refer to Parts Catalog

1 SE FRT BDY UPR PILL

[F75B78238A56AA](#)

Refer to Parts Catalog

2 INS FRT DR OTR BEL

REQUESTOR : JKISELIS
HVBoM
FORD PROPRIETARY,
TRANSIENT

VIN : 1FDXF46P55E [REDACTED]

ROWS RETURNED : 1051
TIMESTAMP : 27-Feb-2015 7:04:07 AM
RETENTION:NONE

. ©Copyright 2015 Ford Motor Company | All rights reserved.

SUPER DUTY F-450 CHASSIS CAB MODEL LINEUP

2005
MODEL YEAR

Page 129 SUPER DUTY F-SERIES

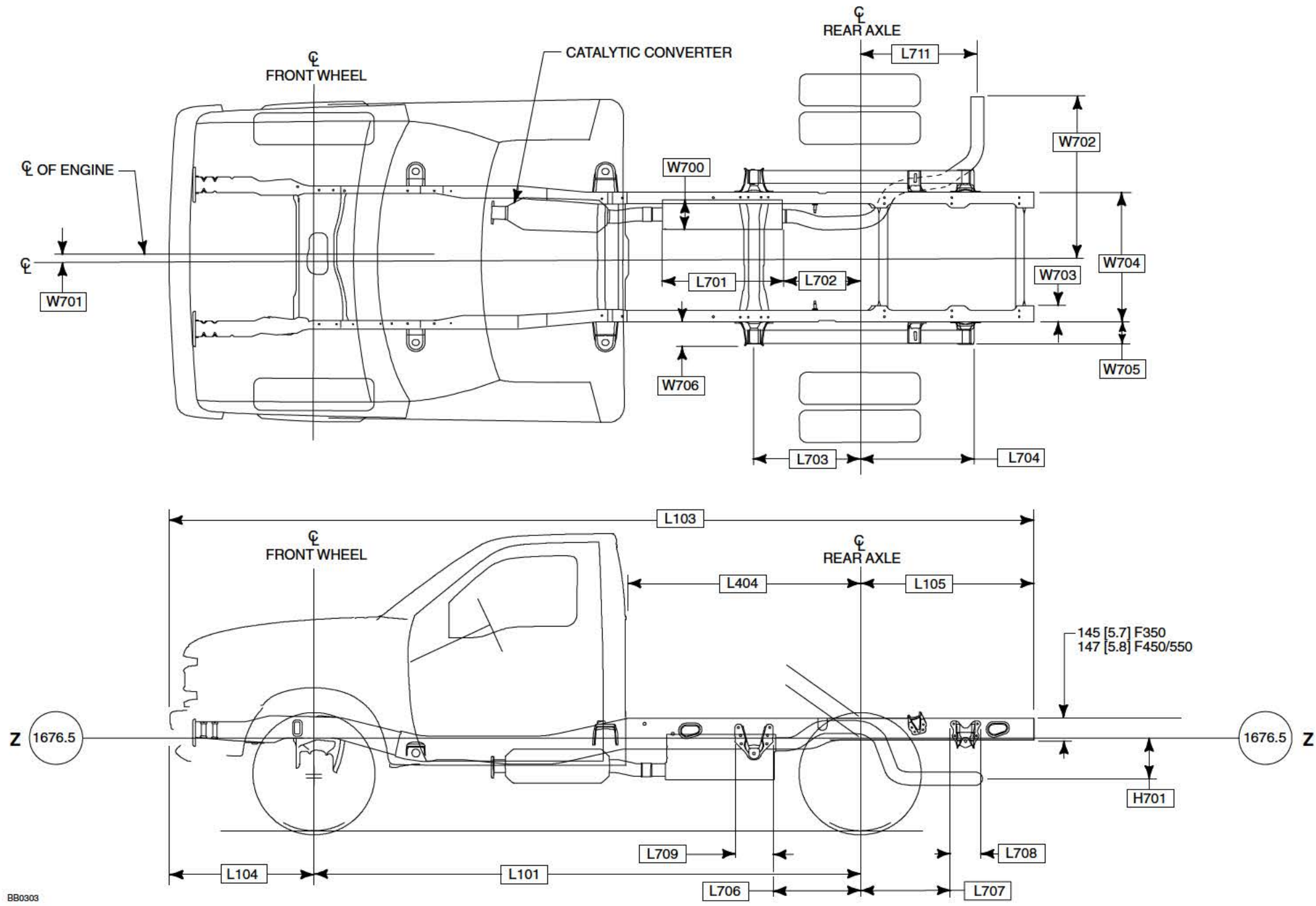
SUPER DUTY F-SERIES MODEL	BODY CODE	WHEELBASE inches	CA inches	STANDARD ENGINE liters	STANDARD TRANSMISSION ⁽¹⁾	TRANSFER CASE	MAXIMUM GVWR pounds	MAXIMUM PAYLOAD ⁽²⁾ pounds	BASE CURB WEIGHT ⁽³⁾		
									FRONT pounds	REAR pounds	TOTAL pounds
REGULAR CHASSIS CAB											
F-450 4x2 DRW	F46	140.8	60	6.8L V-10	6-Spd. Manual OD	—	16,000	9500	3585	2831	6416
				6.0L V-8				9000	4040	2908	6948
		164.8	84	6.8L V-10	6-Spd. Manual OD	—	16,000	9400	3702	2816	6518
				6.0L V-8				8900	4163	2892	7055
		188.8	108	6.8L V-10	6-Spd. Manual OD	—	16,000	9300	3745	2851	6596
				6.0L V-8				8800	4205	2925	7130
		200.8	120	6.8L V-10	6-Spd. Manual OD	—	16,000	9100	3911	2909	6820
				6.0L V-8				8600	4375	2981	7356
F-450 4x4 DRW	F47	140.8	60	6.8L V-10	6-Spd. Manual OD	NV271	16,000	9200	3838	2888	6726
				6.0L V-8				8700	4284	2971	7255
		164.8	84	6.8L V-10	6-Spd. Manual OD	NV271	16,000	9100	3976	2858	6834
				6.0L V-8				8600	4426	2936	7362
		188.8	108	6.8L V-10	6-Spd. Manual OD	NV271	16,000	9000	4032	2893	6925
				6.0L V-8				8500	4483	2971	7454
		200.8	120	6.8L V-10	6-Spd. Manual OD	NV271	16,000	8800	4192	2940	7132
				6.0L V-8				8300	4646	3015	7661
SUPERCAB CHASSIS CAB											
F-450 4x2 DRW	X46	161.8	60	6.8L V-10	6-Spd. Manual OD	—	16,000	9100	3800	2984	6784
				6.0L V-8				8600	4261	3060	7321
F-450 4x4 DRW	X47	161.8	60	6.8L V-10	6-Spd. Manual OD	NV271	16,000	8800	4073	3023	7096
				6.0L V-8				8300	4524	3100	7624
CREW CAB CHASSIS CAB											
F-450 4x2 DRW	W46	176.2	60	6.8L V-10	6-Spd. Manual OD	—	16,000	8900	3942	3058	7000
				6.0L V-8				8400	4404	3130	7534
		200.2	84	6.8L V-10	6-Spd. Manual OD	—	16,000	8800	4068	3033	7101
				6.0L V-8				8300	4532	3105	7637
F-450 4x4 DRW	W47	176.2	60	6.8L V-10	6-Spd. Manual OD	NV271	16,000	8600	4209	3103	7312
				6.0L V-8				8100	4661	3180	7841
		200.2	84	6.8L V-10	6-Spd. Manual OD	NV271	16,000	8500	4345	3068	7413
				6.0L V-8				8000	4799	3143	7942

(1) Engine/transmission combinations may not be available on all models, or in all areas.

(2) Includes weight of driver, passengers and optional equipment.

(3) Base curb weight is for standard equipment only.

DIMENSIONAL DATA SUPER DUTY F-SERIES REGULAR CAB – CHASSIS CAB



NOTES — [] DIMENSIONS ARE INCHES.
 — AXLE/TIRE/VEHICLE HEIGHT DATA, PAGES 138-139.
 — GROUND CLEARANCE DATA, PAGES 148-149.

DIMENSIONAL DATA

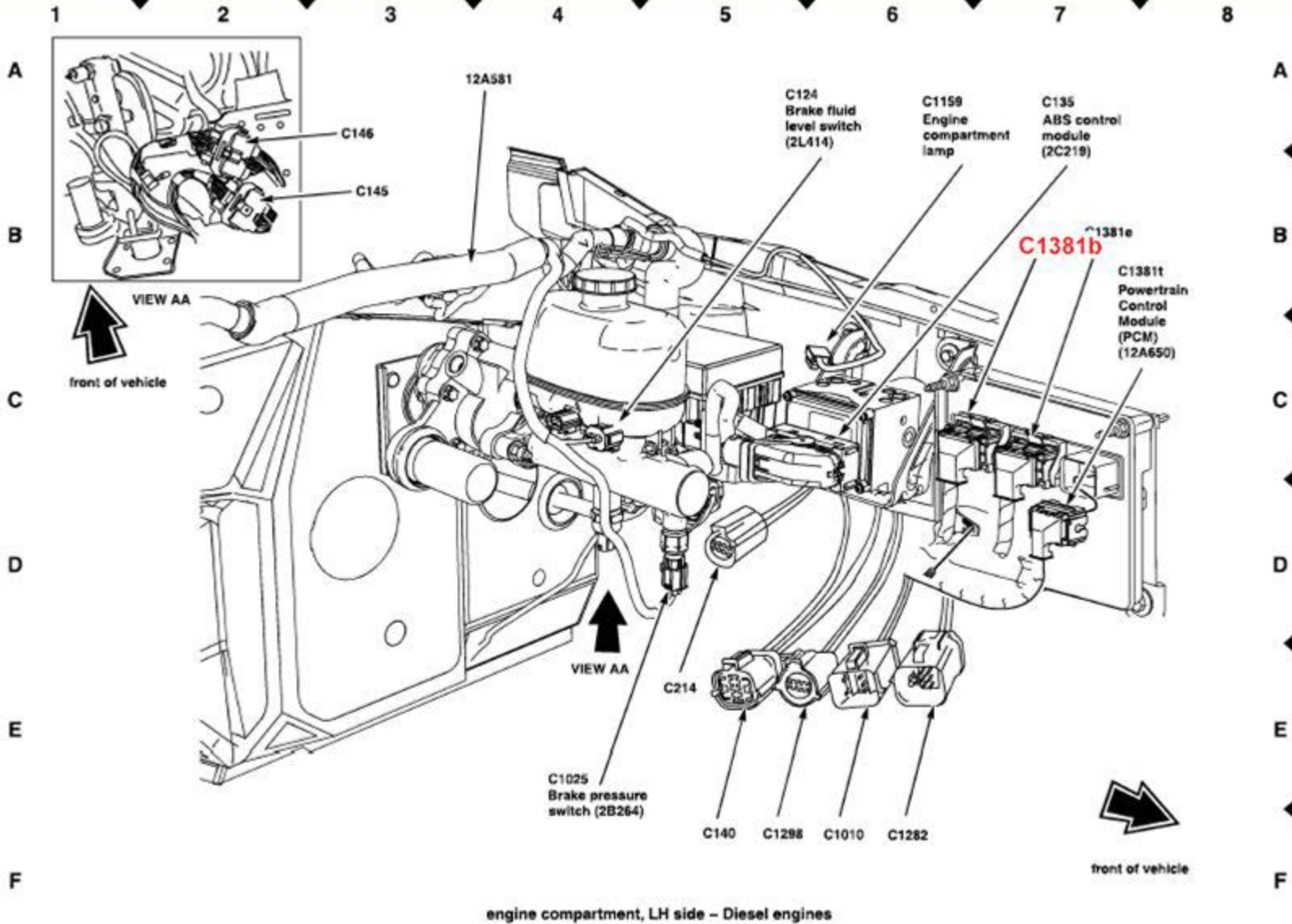
SUPER DUTY F-SERIES

REGULAR CAB – CHASSIS CAB

2005
 MODEL YEAR

CODE	DESCRIPTION	F-350						F-450				F-550			
		SRW		DRW		DRW		DRW				DRW			
		4x2	4x4	4x2	4x4	4x2	4x4	4x2/4x4				4x2/4x4			
H701	☉ OF OUTLET PIPE TO BOTTOM OF FRAME — 5.4L/6.8L/6.0L	239 [9.4]		239 [9.4]		239 [9.4]		239 [9.4]				239 [9.4]			
L101	WHEELBASE	3576 [140.8]		3576 [140.8]		4186 [164.8]		3576 [140.8]	4186 [164.8]	4795 [188.8]	5100 [200.8]	3576 [140.8]	4186 [164.8]	4795 [188.8]	5100 [200.8]
L103	OVERALL LENGTH	5730 [225.6]		5730 [225.6]		6340 [249.6]		5730 [225.6]	6340 [249.6]	6949 [273.6]	7254 [285.6]	5730 [225.6]	6340 [249.6]	6949 [273.6]	7254 [285.6]
L104	FRONT OVERHANG	945 [37.2]		945 [37.2]		945 [37.2]		945 [37.2]				945 [37.2]			
L105	REAR OVERHANG	1209 [47.6]		1209 [47.6]		1209 [47.6]		1209 [47.6]				1209 [47.6]			
L404	BACK OF CAB TO ☉ OF REAR AXLE	1524 [60.0]		1524 [60.0]		2134 [84.0]		1524 [60.0]	2134 [84.0]	2743 [108.0]	3048 [120.0]	1524 [60.0]	2134 [84.0]	2743 [108.0]	3048 [120.0]
L701	MUFFLER LENGTH — 5.4L/6.8L	609.5 [24.0]		609.5 [24.0]		609.5 [24.0]		609.5 [24.0]				609.5 [24.0]			
	— 6.0L	661 [26.0]		661 [26.0]		661 [26.0]		661 [26.0]				661 [26.0]			
L702	MUFFLER REAR TO ☉ REAR AXLE — 5.4L/6.8L	546.5 [21.5]		546.5 [21.5]		546.5 [21.5]		546.5 [21.5]				546.5 [21.5]			
	— 6.0L	596 [23.5]	602 [23.7]	596 [23.5]	604 [23.8]	596 [23.5]	606 [23.9]	582 [22.9]		582 [22.9]	586 [23.0]		593 [23.3]		
L703	REAR SPRING FRONT EYE TO REAR AXLE	663 [26.1]	671 [26.4]	663 [26.1]	671 [26.4]	663 [26.1]	671 [26.4]	653 [25.7]				654 [25.8]			
L704	☉ REAR AXLE TO ☉ REAR SPRING SHACKLE BRACKET	748 [29.4]	739 [29.1]	748 [29.4]	739 [29.1]	748 [29.4]	739 [29.1]	757 [29.8]				755 [29.7]			
L706	REAR OF FRONT SPRING BRACKET TO ☉ REAR AXLE	536 [21.1]	544 [21.4]	536 [21.1]	544 [21.4]	536 [21.1]	544 [21.4]	525 [20.7]				526 [20.7]			
L707	☉ REAR AXLE TO FRONT OF REAR SPRING SHACKLE BRACKET	648 [25.5]	639 [25.2]	648 [25.5]	639 [25.2]	648 [25.5]	639 [25.2]	645 [25.4]				643 [25.3]			
L708	REAR SPRING SHACKLE BRACKET WIDTH	200 [7.9]		200 [7.9]		200 [7.9]		225 [8.9]				225 [8.9]			
L709	FRONT SPRING HANGER BRACKET WIDTH	253 [10.0]		253 [10.0]		253 [10.0]		256 [10.1]				256 [10.1]			
L711	☉ OF REAR AXLE TO ☉ OF EXHAUST PIPE — 5.4L/6.8L	664.6 [26.2]		664.6 [26.2]		664.6 [26.2]		664.6 [26.2]				664.6 [26.2]			
	— 6.0L	698 [27.4]	690 [27.1]	696 [27.4]	687 [27.0]	696 [27.4]	687 [27.0]	709 [27.9]		709 [27.9]	705 [27.8]		698 [27.4]		
W700	MUFFLER CROSS SECTION — 5.4L	7 x 9		7 x 9		7 x 9		7 x 9				7 X 9			
	— 6.0L	195 x 291		195 x 291		195 x 291		195 x 291				195 x 291			
W701	DISTANCE BETWEEN ☉ ENGINE/VEHICLE	45 [1.8]		45 [1.8]		45 [1.8]		45 [1.8]				45 [1.8]			
W702	END OF TAILPIPE TO ☉ VEHICLE — 5.4L/6.8L	948 [37.3]		948 [37.3]		948 [37.3]		948 [37.3]				948 [37.3]			
	— 6.0L	1027 [40.4]		1027 [40.4]		1027 [40.4]		1027 [40.4]				1027 [40.4]			
W703	FRAME RAIL WIDTH	107 [4.2]		107 [4.2]		107 [4.2]		108 [4.2]				108 [4.2]			
W704	REAR FRAME WIDTH	866 [34.1]		866 [34.1]		866 [34.1]		868 [34.2]				868 [34.2]			
W705	DISTANCE FROM FRAME TO OUTSIDE OF REAR SPRING SHACKLE BRACKET	149 [5.9]		149 [5.9]		149 [5.9]		151 [5.9]				151 [5.9]			
W706	DISTANCE FROM FRAME TO OUTSIDE OF REAR SPRING HANGER BRACKET	160 [6.3]		160 [6.3]		160 [6.3]		151 [5.9]				151 [5.9]			

NOTES — [] DIMENSIONS ARE INCHES.
 — AXLE/TIRE/VEHICLE HEIGHT DATA, PAGES 138-139.
 — GROUND CLEARANCE DATA, PAGES 148-149.



2005MY F-Superduty: TIRE PRESSURE SETTINGS - F450 DRW Chassis Cab - BASE

Veh. Nu.	Vehicle Description	WB (in.)	GVWR (lbs.)	Maximum Base GAWR		102% Max Axle GAWR		Standard Tire Capacity (lbs.)		Standard Tire Size	Tire Pres. Set (psi)		Card Nu.	Tire Size (Optional size)	Tire Pres. Set (psi)		Card Nu.
				Frt.	Rr.	Frt.	Rr.	Frt. (x2)	Rr. (x4)		Frt.	Rr.					
															Frt.	Rr.	

F450 - 4x2 Chassis Cab DRW

71g2	F450 4x2 R/C 60" C/C	140.8	16000	4800	12000	4896	12240	6630	12980	225/70R19.5F	85	90	68590	NO OPTIONAL TIRE SIZES
71d	F450 4x2 R/C 60" C/C	140.8	16000	5200	12000	5304	12240	6630	12980	225/70R19.5F	85	90	68590	
72g2	F450 4x2 R/C 84" C/C	164.8	16000	5600	12000	5712	12240	6630	12980	225/70R19.5F	85	90	68590	
72d	F450 4x2 R/C 84" C/C	164.8	16000	6000	12000	6120	12240	6630	12980	225/70R19.5F	85	90	68590	
73g2	F450 4x2 R/C 108" C/C	188.8	16000	6500	12000	6630	12240	6630	12980	225/70R19.5F	85	90	68590	
73d	F450 4x2 R/C 108" C/C	188.8	16000	6500	12000	6630	12240	6630	12980	225/70R19.5F	85	90	68590	
74g2	F450 4x2 R/C 120" C/C	200.8	16000	6000	12000	6120	12240	6630	12980	225/70R19.5F	85	90	68590	
74d	F450 4x2 R/C 120" C/C	200.8	16000	6500	12000	6630	12240	6630	12980	225/70R19.5F	85	90	68590	
76g2	F450 4x2 S/C 60" C/C	161.8	16000	5200	12000	5304	12240	6630	12980	225/70R19.5F	85	90	68590	
76d	F450 4x2 S/C 60" C/C	161.8	16000	5600	12000	5712	12240	6630	12980	225/70R19.5F	85	90	68590	
78g2	F450 4x2 Crew 60" C/C	176.2	16000	5200	12000	5304	12240	6630	12980	225/70R19.5F	85	90	68590	
78d	F450 4x2 Crew 60" C/C	176.2	16000	5600	12000	5712	12240	6630	12980	225/70R19.5F	85	90	68590	
79g2	F450 4x2 Crew 84" C/C	200.2	16000	6000	12000	6120	12240	6630	12980	225/70R19.5F	85	90	68590	
79d	F450 4x2 Crew 84" C/C	200.2	16000	6500	12000	6630	12240	6630	12980	225/70R19.5F	85	90	68590	

F450 - 4x4 Chassis Cab DRW

81g2	F450 4x4 R/C 60" C/C	140.8	16000	5200	12000	5304	12240	6630	12980	225/70R19.5F	85	90	68590	NO OPTIONAL TIRE SIZES
81d	F450 4x4 R/C 60" C/C	140.8	16000	5600	12000	5712	12240	6630	12980	225/70R19.5F	85	90	68590	
82g2	F450 4x4 R/C 84" C/C	164.8	16000	5600	12000	5712	12240	6630	12980	225/70R19.5F	85	90	68590	
82d	F450 4x4 R/C 84" C/C	164.8	16000	6000	12000	6120	12240	6630	12980	225/70R19.5F	85	90	68590	
83g2	F450 4x4 R/C 108" C/C	188.8	16000	6500	12000	6630	12240	6630	12980	225/70R19.5F	85	90	68590	
83d	F450 4x4 R/C 108" C/C	188.8	16000	6500	12000	6630	12240	6630	12980	225/70R19.5F	85	90	68590	
84g2	F450 4x4 R/C 120" C/C	200.8	16000	6500	12000	6630	12240	6630	12980	225/70R19.5F	85	90	68590	
84d	F450 4x4 R/C 120" C/C	200.8	16000	6500	12000	6630	12240	6630	12980	225/70R19.5F	85	90	68590	
86g2	F450 4x4 S/C 60" C/C	161.8	16000	5200	12000	5304	12240	6630	12980	225/70R19.5F	85	90	68590	
86d	F450 4x4 S/C 60" C/C	161.8	16000	6000	12000	6120	12240	6630	12980	225/70R19.5F	85	90	68590	
88g2	F450 4x4 Crew 60" C/C	176.2	16000	5600	12000	5712	12240	6630	12980	225/70R19.5F	85	90	68590	
88d	F450 4x4 Crew 60" C/C	176.2	16000	6000	12000	6120	12240	6630	12980	225/70R19.5F	85	90	68590	
89g2	F450 4x4 Crew 84" C/C	200.2	16000	6000	12000	6120	12240	6630	12980	225/70R19.5F	85	90	68590	
89d	F450 4x4 Crew 84" C/C	200.2	16000	6500	12000	6630	12240	6630	12980	225/70R19.5F	85	90	68590	

NOTES:

1) California emission vehicles: Use vehicle descriptions above for tire pressures. Reference notes on Page (2) of this document.

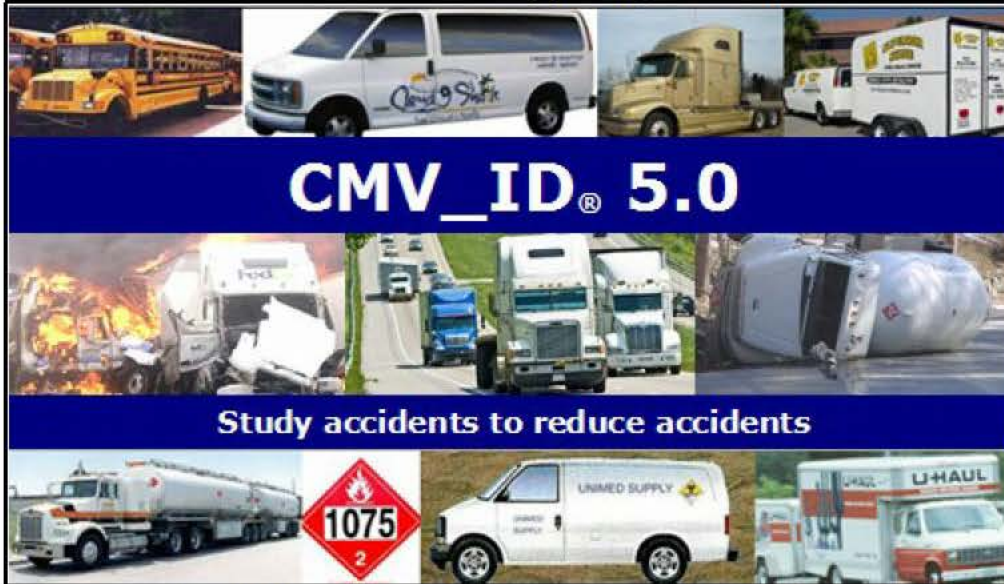
DRAWN BY: Robert H. Camilleri

FORD MOTOR COMPANY



CHART - TIRE & WHEEL SYSTEM

CH-5C34-413-AA Rev - 18



CMV_ID® 5.0

Study accidents to reduce accidents

EN
1WC200E

No Pictures

WMI			GVWR, S		
01	02	03	04	05	06
1	W	C	2	0	0

[Find WMI b](#)

♦ Trucks, Pickups, Vans, SUVs ♦ Buses ♦ Single Unit Trucks ♦ Tractors ♦ Trailers ♦ North /

Verify the Year (**2000**) and Maker (**1WC= Wells Cargo Inc**)

Processing Messages: Trailer VIN Found; Check Digit: Valid

	VEHICLE INFORMATION		SAFETYNET CRASH DATA
VIN	1WC200E29Y7	Config1	
WMI	1 - United States ; WC - WELLS CARGO INC TRAILERS	Config2	
MAKE	2000 WELLS CARGO INC TRAILERS (NCIC: ????)	Config3	
MODEL		Config4	
AXLES		Config5	
TYPE	Trailer. No Configurations to display.	Config6	
GVWR		GVWR	

VEHICLE CONFIGURATIONS AND CARGO BODY TYPE CODES for CRASH DATA

[NISRINC Home](#) - [CMV ID Explained](#) - [Help with the VIN](#) - [Comments or Issues](#) - [Disclaimer](#)

Copyright © 1996-2014 National Institute for Safety Research, Inc.
All rights reserved.



Welcome to **WELLS CARGO** and our family of rugged trailers.

Find a Dealer - Enter Zip



News/Offers



wells cargo.com » Wells Cargo » Cargo Trailers » Tote Wagon (6' Wide)

Overview Gallery Features Engineering Options Packages Specifications Skin Colors Warranty Info

Tote Wagon (6' Wide) Specifications

Tote Wagon						
Model	TW101	TW121	TW141	TW122	TW142	TW162
BODY WIDTH	6'0"	6'0"	6'0"	6'0"	6'0"	6'0"
BODY LENGTH	10'0"	12'0"	14'0"	12'0"	14'0"	16'0"
OVERALL LENGTH	14'0"	16'0"	18'0"	16'0"	18'0"	20'0"
OVERALL WIDTH	7'10"	7'10"	7'10"	7'10"	7'10"	7'10"
OVERALL HEIGHT	7'8"	7'8"	7'8"	7'9"	7'9"	7'9"
INTERIOR LENGTH	9'9"	11'9"	13'9"	11'9"	13'9"	15'9"
INTERIOR WIDTH	5'9"	5'9"	5'9"	5'9"	5'9"	5'9"
INTERIOR HEIGHT	6'0"	6'0"	6'0"	6'0"	6'0"	6'0"
PLATFORM HEIGHT	18"	18"	18"	19"	19"	19"
AXLE: QUANTITY	Single	Single	Single	Tandem	Tandem	Tandem
AXLE: TYPE	4" Drop	4" Drop	4" Drop	4" Drop	4" Drop	4" Drop
BRAKES	No	No	No	Yes	Yes	Yes
SUSPENSION	Torflex	Torflex	Torflex	Torflex	Torflex	Torflex
TIRE SIZE	15"	15"	15"	15"	15"	15"
LOAD RANGE	C	C	C	C	C	C
WHEEL BOLT PATTERN	5-Bolt/ 4.5	5-Bolt/ 4.5	5-Bolt/ 4.5	5-Bolt/ 4.5	5-Bolt/ 4.5	5-Bolt/ 4.5
HITCH BALL SIZE	2"	2"	2"	2 5/16"	2 5/16"	2 5/16"
HITCH TO TOP OF BALL	17"	17"	17"	18"	18"	18"
HITCH WEIGHT (LB.)	10-15%	10-15%	10-15%	10-15%	10-15%	10-15%
CURB WEIGHT (LB.)	990	1200	1400	1615	1675	1735
GVWR (LB.)	2990	2990	2990	7700	7700	7700
GAWR (LB.)	2990	2990	2990	7000	7000	7000
AVG. PAYLOAD CAPACITY	2000	1790	1590	6085	6025	5965
REAR DOOR STYLE	Double	Double	Double	Double	Double	Double
DOOR: W DTH	64 1/2"	64 1/2"	64 1/2"	64 1/2"	64 1/2"	64 1/2"
DOOR: HEIGHT	63"	63"	63"	63"	63"	63"
12V TRAILER END CONNECTOR	4-way	4-way	4-way	7-way	7-way	7-way

Company Plant Locations Customer Care Literature Request Find a Dealer Contact Us Site Map Legal Notices Parts & Service Dealer Opportunity

© Copyright 2015 - Wells Cargo, Inc.