

ELEVATOR TRIM CONTROL SYSTEM

ITEM	PART NUMBER	NOMENCLATURE							EFFECTIVITY		UNITS PER ASSY		
		1	2	3	4	5	6	7	FROM	TO			
-		ELEVATOR TRIM CONTROL SYSTEM											
1		.	ACTUATOR ASSY- ELEVATOR TRIM TAB- REFER TO 27-00-00 FIGURE 01									RF	
			ATTACHING PARTS										
-	1A	0432126	.	CLAMP									2
-	1B	AN3-4A	.	BOLT									4
-	1C	0832150-1	.	SPACER									1
-	1D	MS35206-246	.	SCREW									4
-	1E	NAS1149FN816P	.	WASHER									4
-	1F	MS21042L08	.	NUT									4
			---*---										
	2	0860207-145	.	CABLE-FWD LH									1
	3	0860207-144	.	CABLE-FWD RH									1
	3A	0860207-153	.	CABLE-CTR LH USE WHEN ELECTRIC TRIM IS NOT INSTALLED									1
	4	0860207-147	.	CABLE-AFT LH									1
			ATTACHING PARTS										
-	4A	AN23-8	.	BOLT									1
-	4B	NAS1149F0363P	.	WASHER									1
-	4C	MS17826-3	.	NUT									1
-	4D	MS24665-132	.	COTTER PIN									1
			---*---										
	5	MS21251-2S	.	BARREL									1
-	5A	MS21251-2L	.	TURNBUCKLE BODY CLIP- USED WITH ELECTRIC TRIM SYSTEM									1
	6	0860207-146	.	CABLE-AFT RH									1
	7	0861100-44	.	SPROCKET ASSY-TRIM CHAIN									1
			ATTACHING PARTS										
-	7A	AN3-62	.	BOLT									1
-	7B	S1003-4A	.	BEARING									1
-	7C	NAS1149B0563H	.	WASHER									1
-	7D	NAS1149F0532P	.	WASHER									1
-	7E	AN320-3	.	NUT									1

- 7F	MS24665-132	.	COTTER PIN						1	
---*---										
8	0861100-164	.	WHEEL-ELEVATOR TRIM						1	
ATTACHING PARTS										
- 8A	MS24693-S29	.	SCREW						4 R	
- 8B	MS35790-1	.	WASHER-LOCK						4	
8C	NAS1149C0363R	.	WASHER						4	
---*---										
9	0861157-1	.	INDICATOR ARM ASSY						1	
ATTACHING PARTS										
- 9A	NAS1149DN432H	.	WASHER						1	
- 9B	0413283	.	SPACER						1	
- 9C	NAS1149D0363H	.	WASHER						2	
---*---										
10	MS20219-2	.	PULLEY-FWD						2	
ATTACHING PARTS										
- 10A	AN4-15A	.	BOLT						1	
- 10B	NAS43DD4-41FC	.	SPACER						1 R	
- 10C	NAS43DD4-41N	.	SPACER ALT FOR NAS43DD4-41FC						1 R	
- 10D	NAS1149F0432P	.	WASHER						1	
- 10E	MS21042L4	.	NUT						1	
---*---										
11	0861106-6	.	BRACKET-CABLE GUARD						1	
12	NAS427K9	.	PIN-CABLE GUARD						4	
13	S378-1	.	PULLEY						2	
ATTACHING PARTS										
- 13A	AN3-10A	.	BOLT						1	
- 13B	MS21042L3	.	NUT						1	
---*---										
14	S378-1	.	PULLEY						4	
ATTACHING PARTS										
- 14A	AN3-10A	.	BOLT						1	
- 14B	MS21042L3	.	NUT						1	
---*---										
									UNITS	
	PART	NOMENCLATURE							EFFECTIVITY	PER
ITEM	NUMBER	1	2	3	4	5	6	7	FROM TO ASSY	
-		ELEVATOR TRIM CONTROL SYSTEM								
15	0411523	.	BLOCK						3	

ATTACHING PARTS

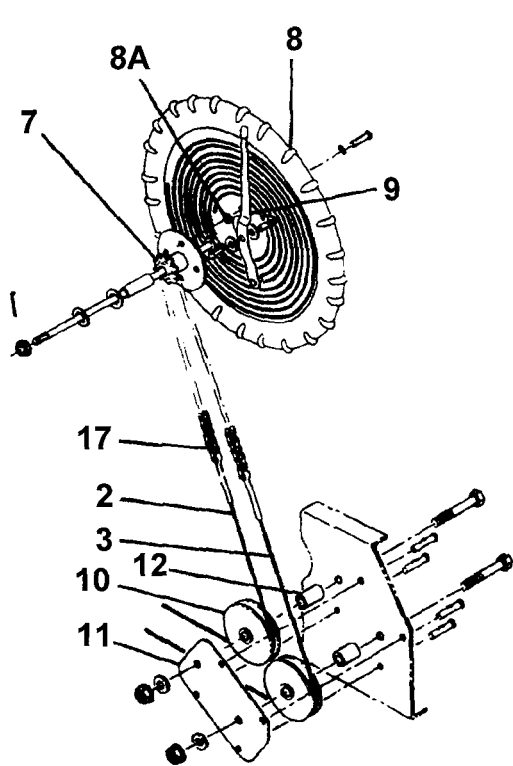
- 15A	AN3-6A	.	BOLT			1
- 15B	MS21042L3	.	NUT			1
---*---						
15C	5115214-1	.	BLOCK-USED WHEN 400A AUTOPILOT IS INSTALLED	Q0001	99999	1
16	0411524	.	BUSHING			3
17	0860175-5	.	ELEVATOR TRIM CHAIN ASSY-BUSHING			2
18	0832141-5	.	ROD ASSY-TUBE ASSY PUSH PULL TRIM TAB ACTUATOR			1
ATTACHING PARTS						
- 18A	NAS464P3-8	.	BOLT			2
- 18B	NAS1149F0332P	.	WASHER			2
- 18C	MS17826-3	.	NUT			2
- 18D	MS24665-132	.	COTTER PIN			2
---*---						
19	S378-2	.	PULLEY			2
ATTACHING PARTS						
- 19A	AN3-10A	.	BOLT			1
- 19B	MS21042L3	.	NUT			1
---*---						
- 19C	MS24665-285	.	COTTER PIN-CABLE GUARD			2
20	S378-1	.	PULLEY			2
ATTACHING PARTS						
- 20A	AN3-5A	.	BOLT			1
- 20B	MS21042L3	.	NUT			1
---*---						
- 20C	MS24665-283	.	COTTER PIN-CABLE GUARD			4
21	MS21251-2L	.	TURNBUCKLE BODY CLIP- USED WITH ELECTRIC TRIM SYSTEM			1
22		.	ELECTRIC TRIM DRIVE INSTL-REFER TO 27-30-00 FIGURE 03			RF

- Item Not Illustrated

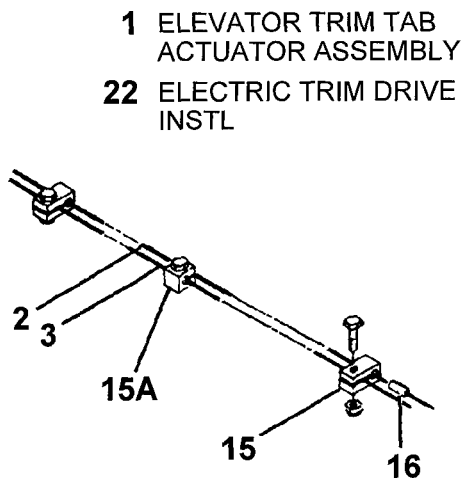
Figure 02 : Sheet 1 : ELEVATOR TRIM CONTROL SYSTEM

A55453

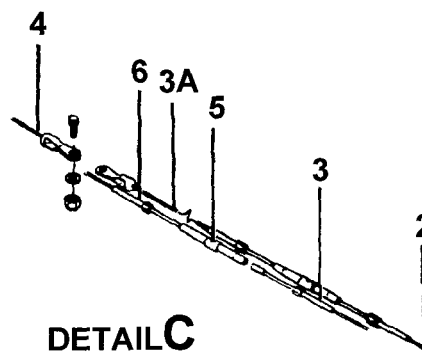
FLIGHT CONTROL SYSTEMS



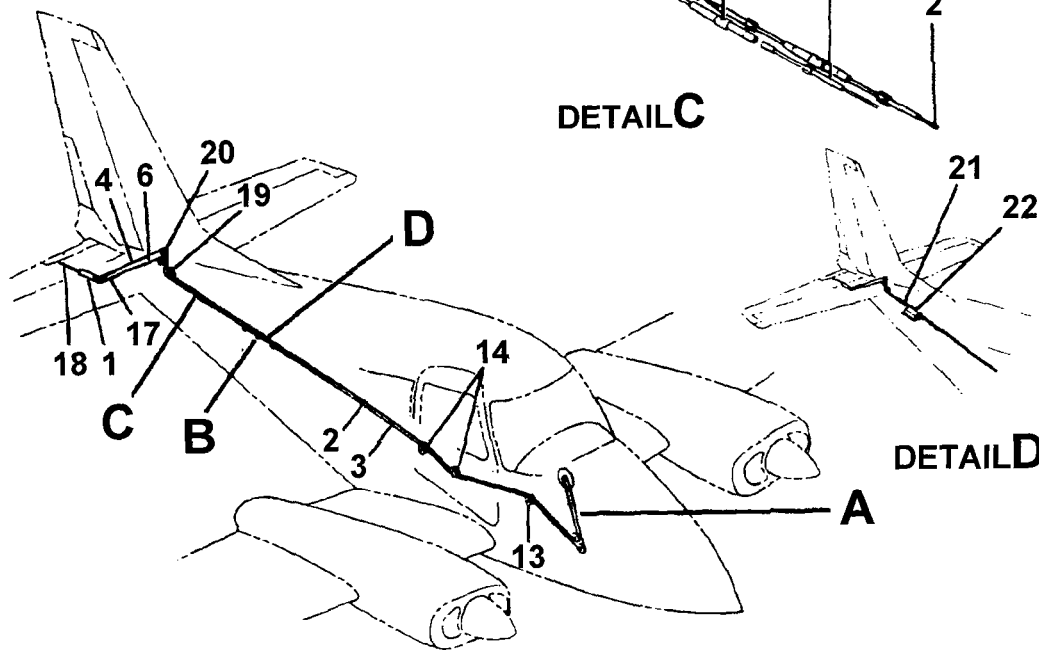
DETAIL A



DETAIL B



DETAIL C



DETAIL D