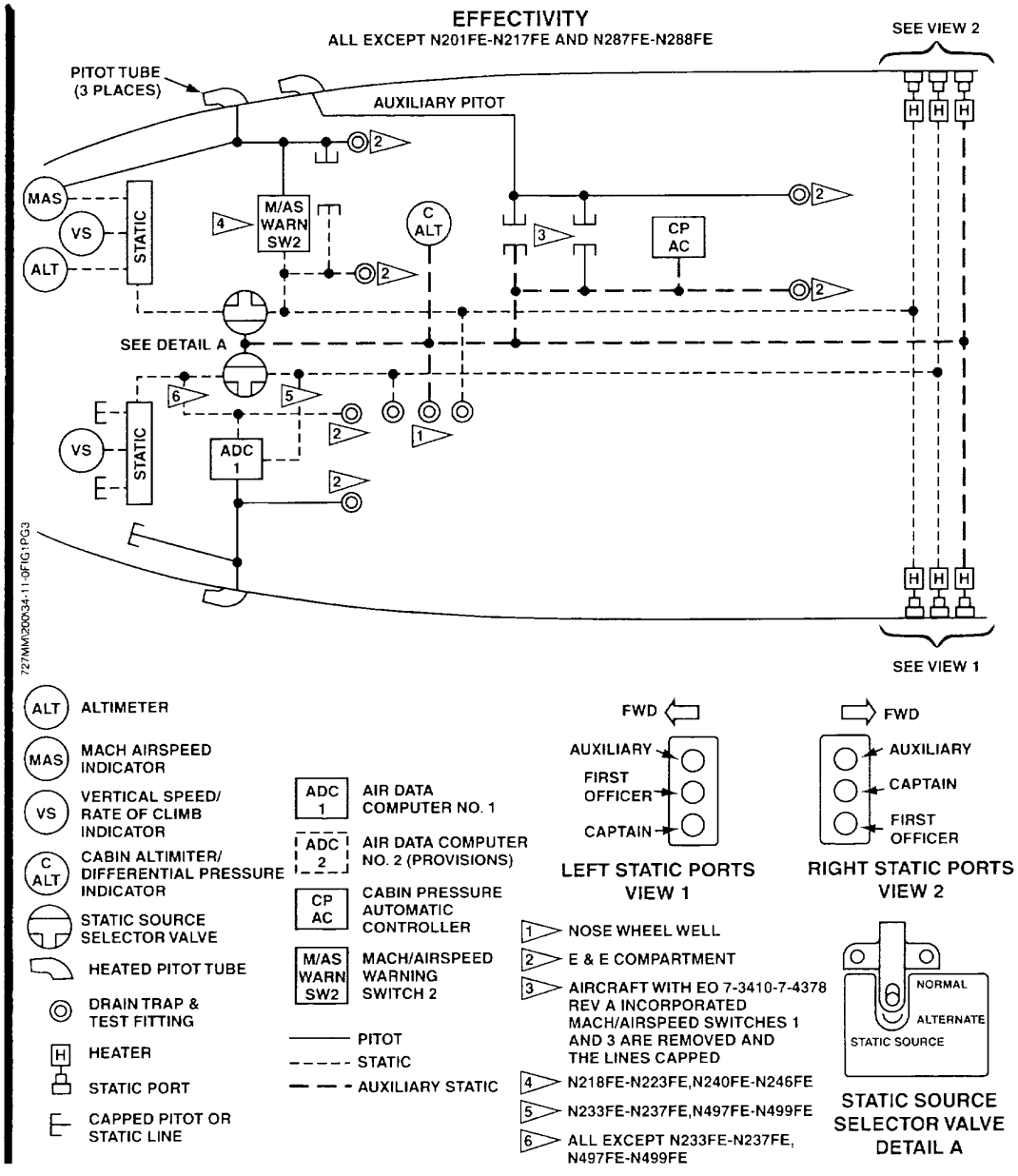


ATTACHMENT 2

Schematic Drawing of Barometric/Pitot Static System



727MM20034-11-01(16)1PG3