

APPENDIX B

CAT SCAN IMAGES OF RUDDER SERVO CONTROLS

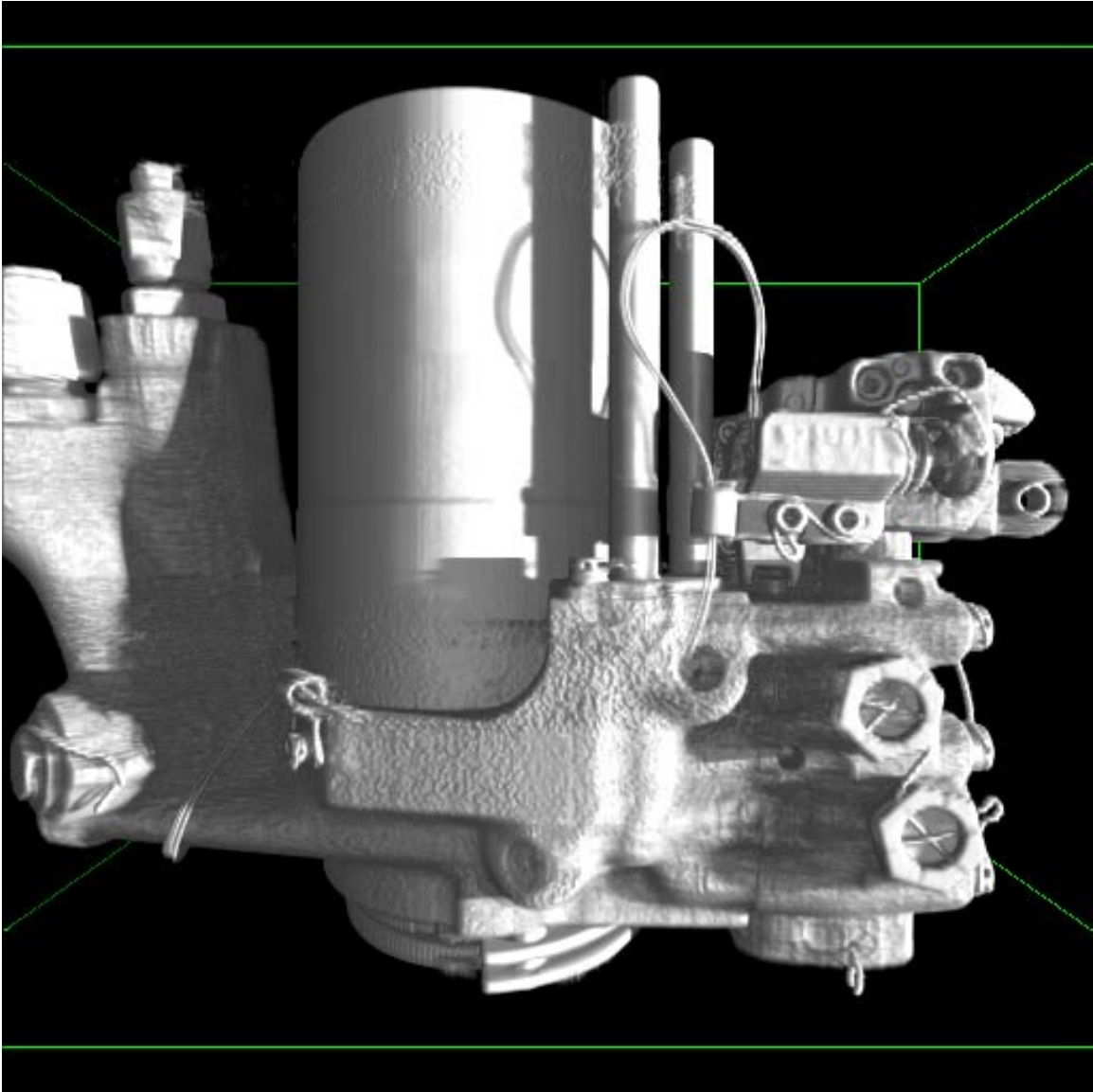


Figure 1. Rendering of Upper Rudder Servo Control from CAT Scan Images

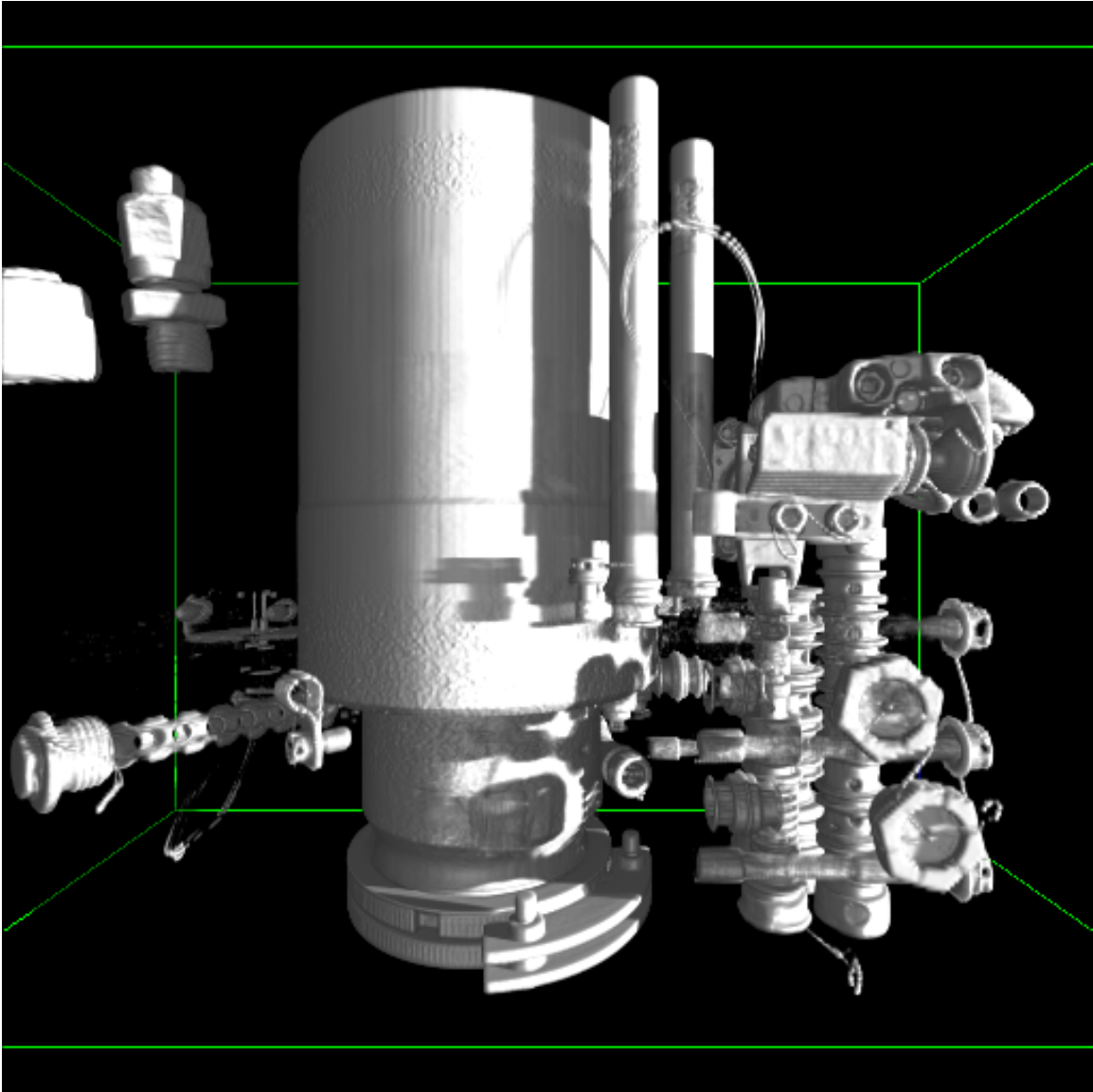


Figure 2. Upper Servo, with Medium Density (aluminum) Components Removed

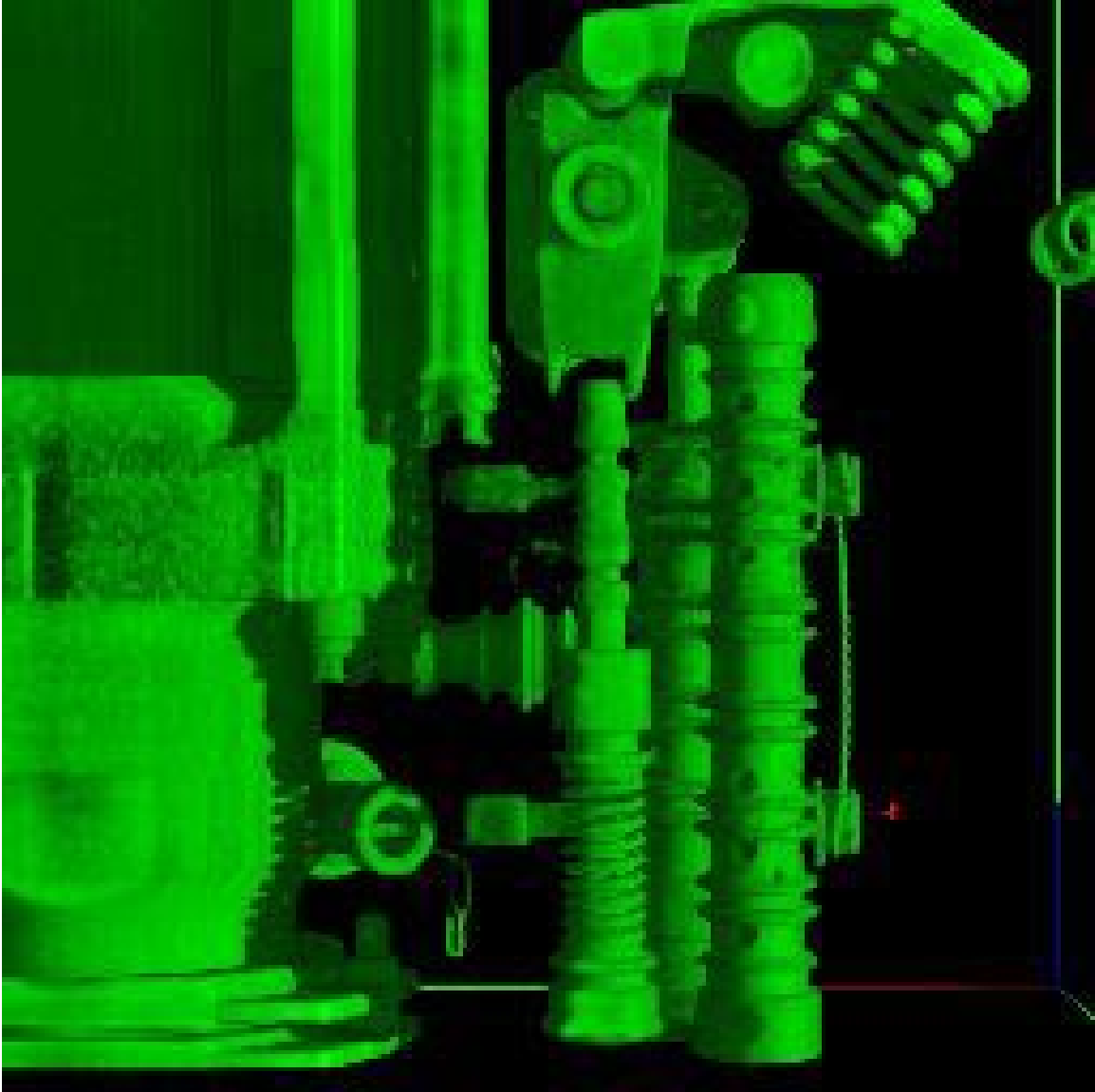


Figure 3. Upper Servo, Test Finger and Bypass Assemblies.

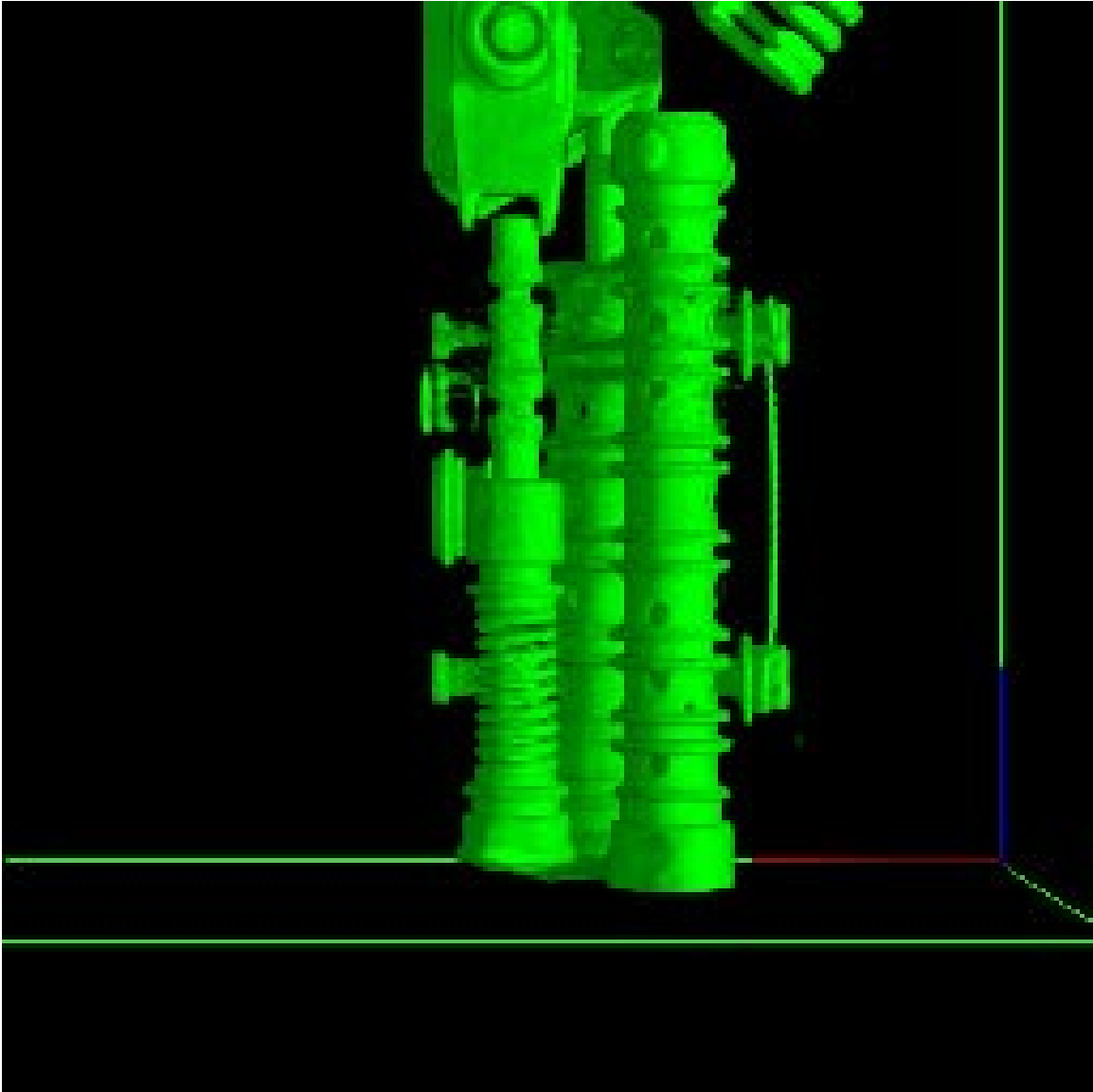


Figure 4. Upper Servo, Test finger and Bypass Assemblies.

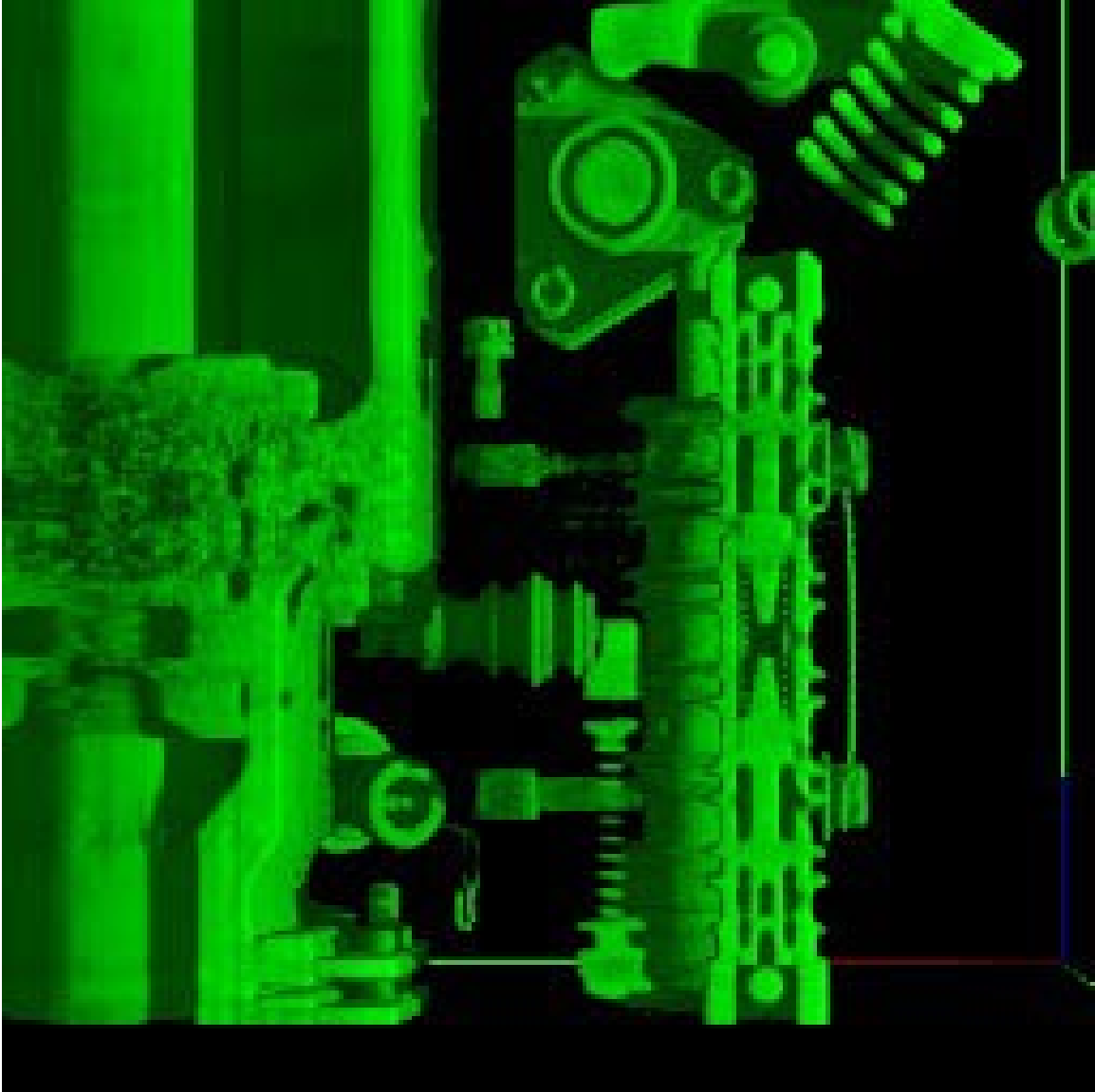


Figure 5. Upper Servo, Vertical Slice of Bypass Assembly.

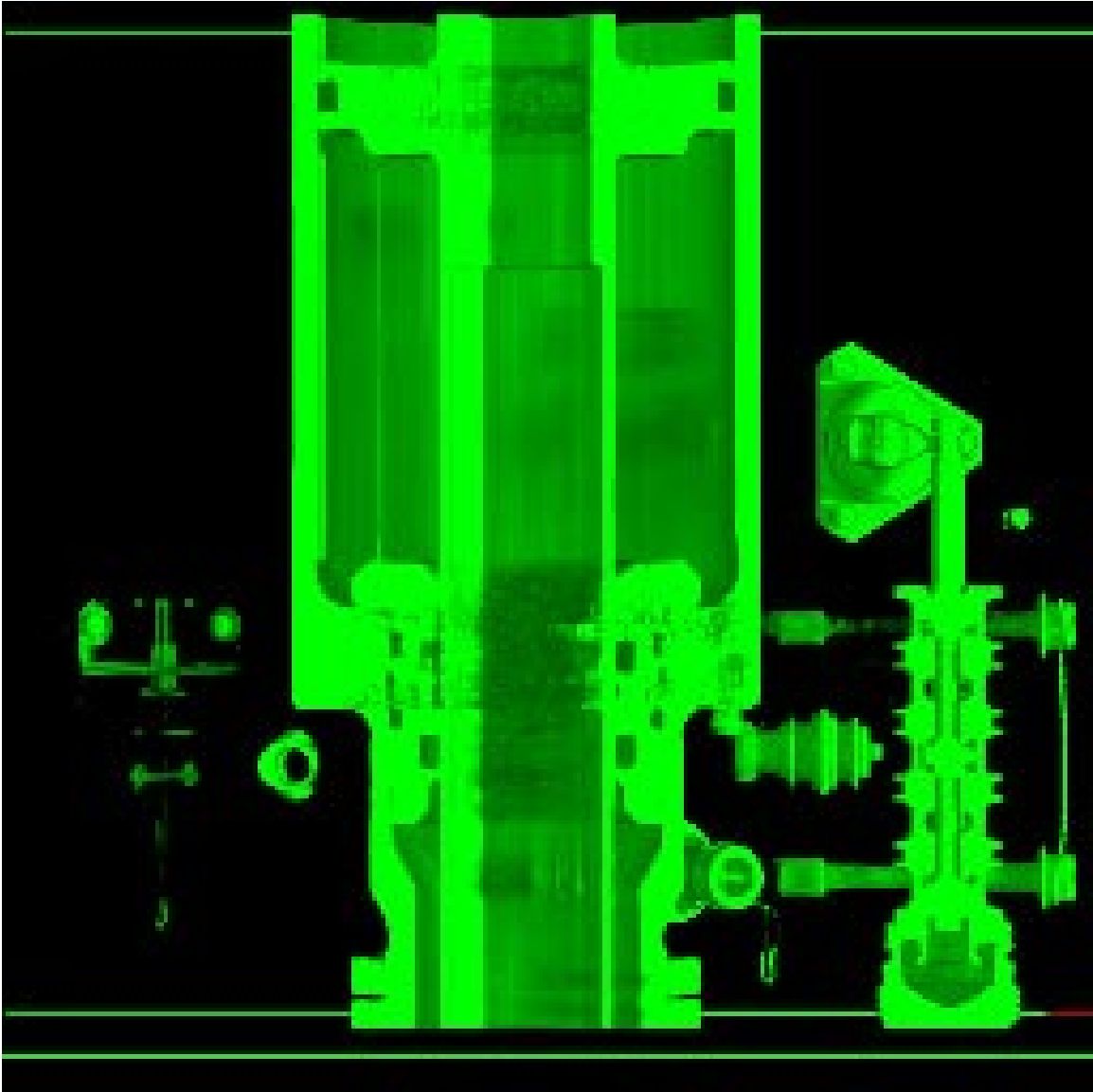


Figure 6. Upper Servo, Vertical Slice of Main Control Valve and Jack Assembly.

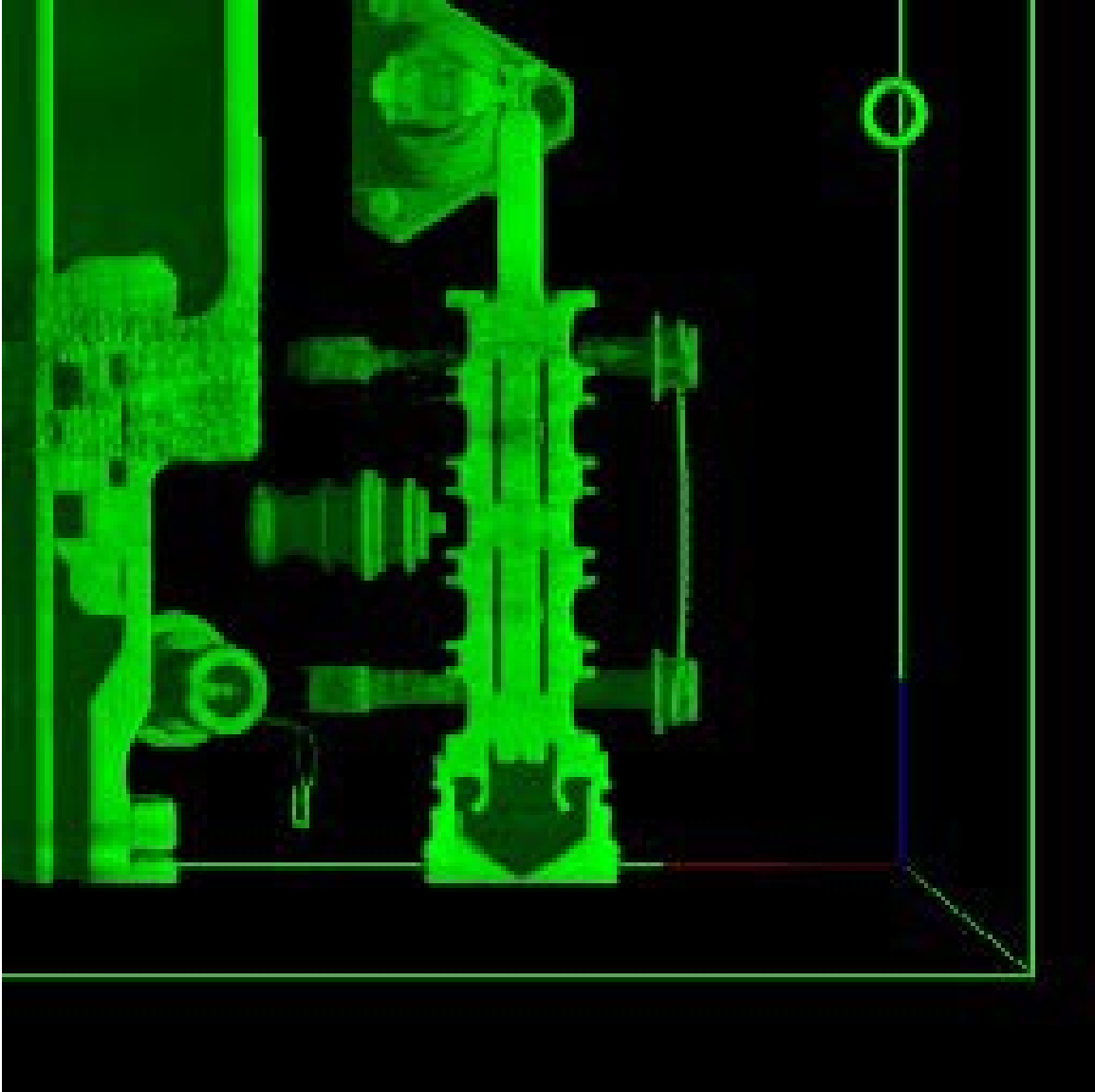


Figure 7. Upper Servo, Main Control Valve

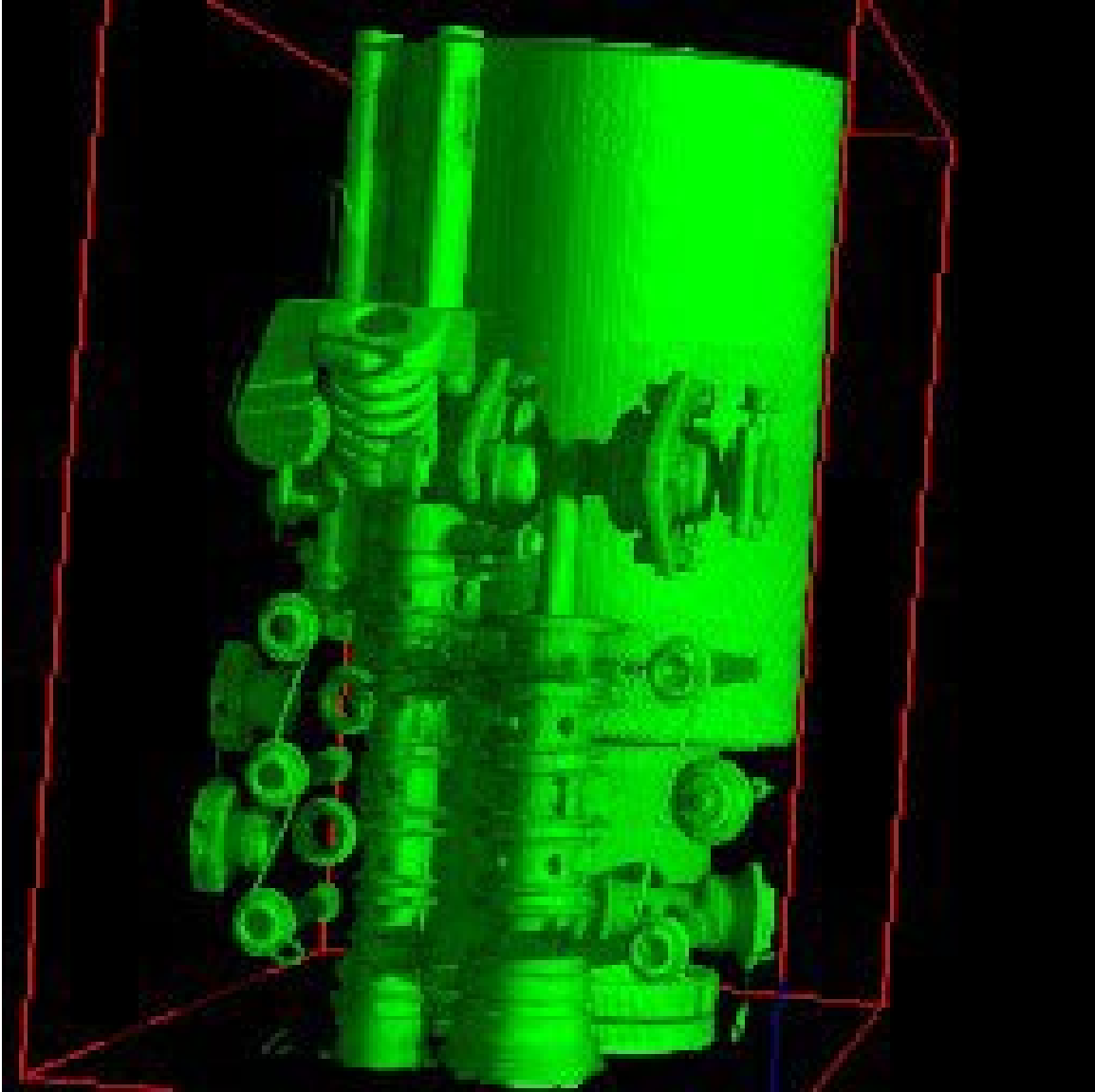


Figure 8. Upper Servo, View From Right Side of Figure 2.

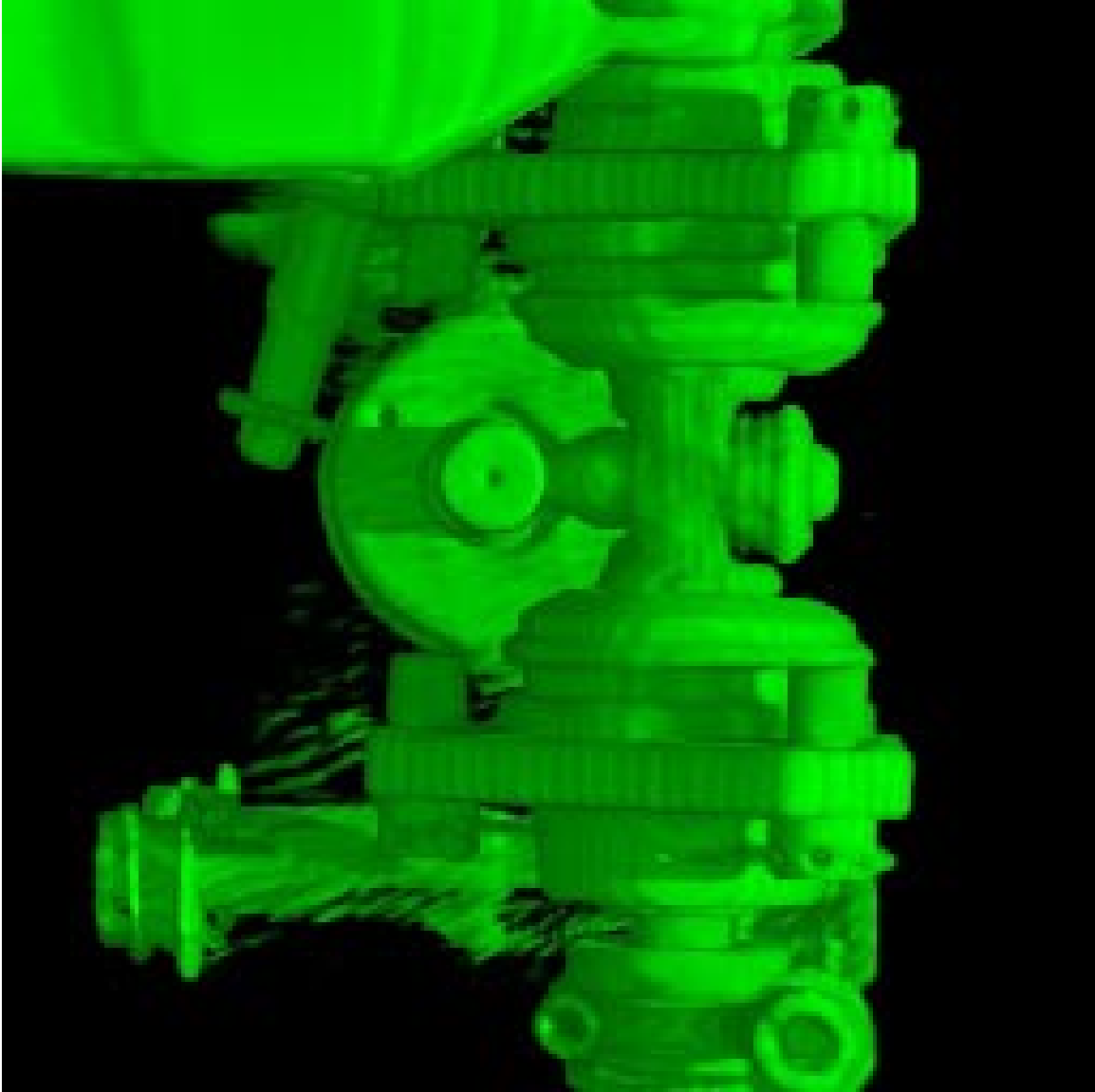


Figure 9. Upper Servo, Top View of Input Linkage.

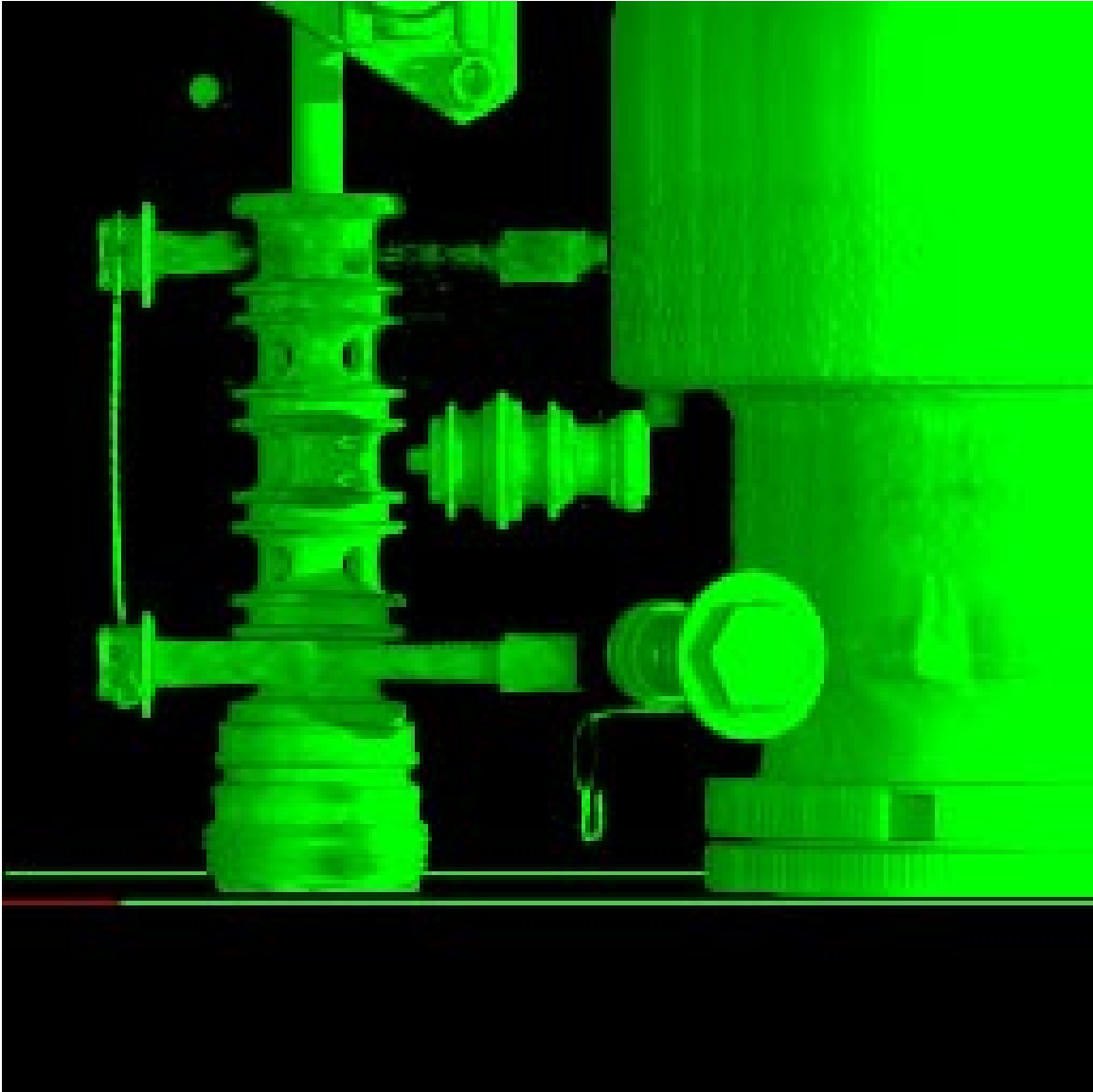


Figure 10. Upper Servo, Back View of Main Valve and Non-Return Valve.

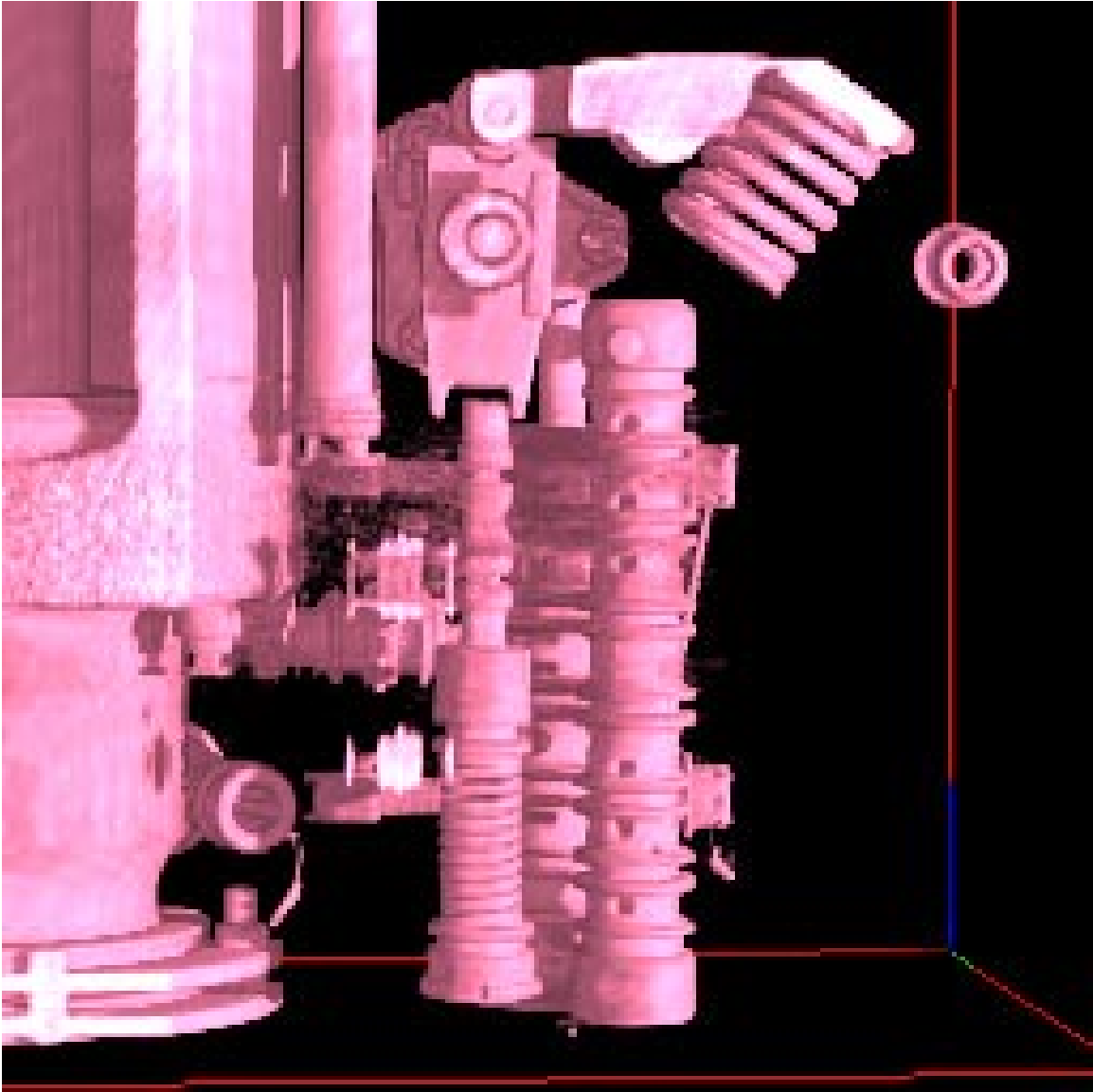


Figure 11. Middle Servo, Test Finger and Bypass Assemblies

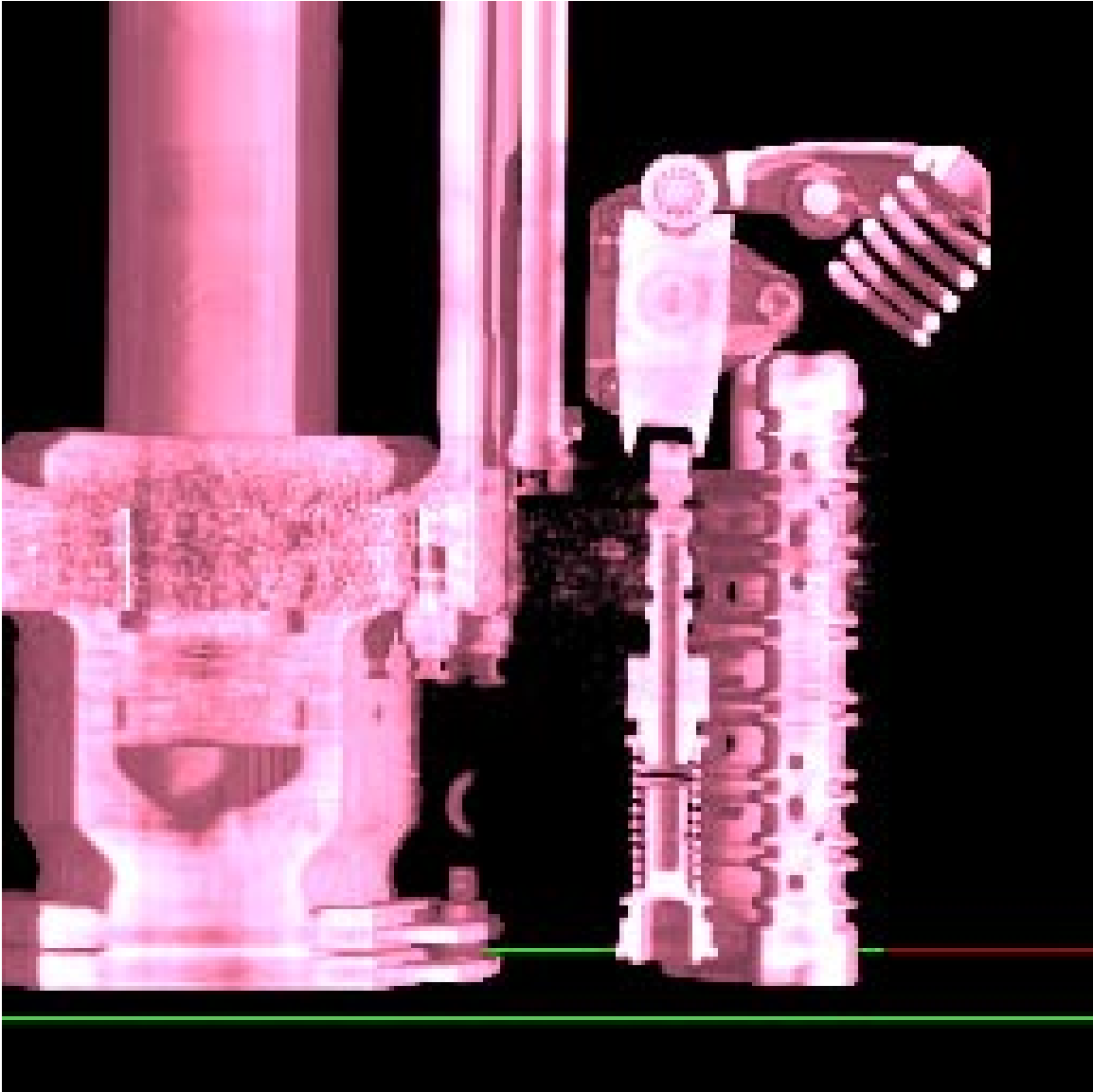


Figure 12. Middle Servo, Vertical Slice of Test Finger.

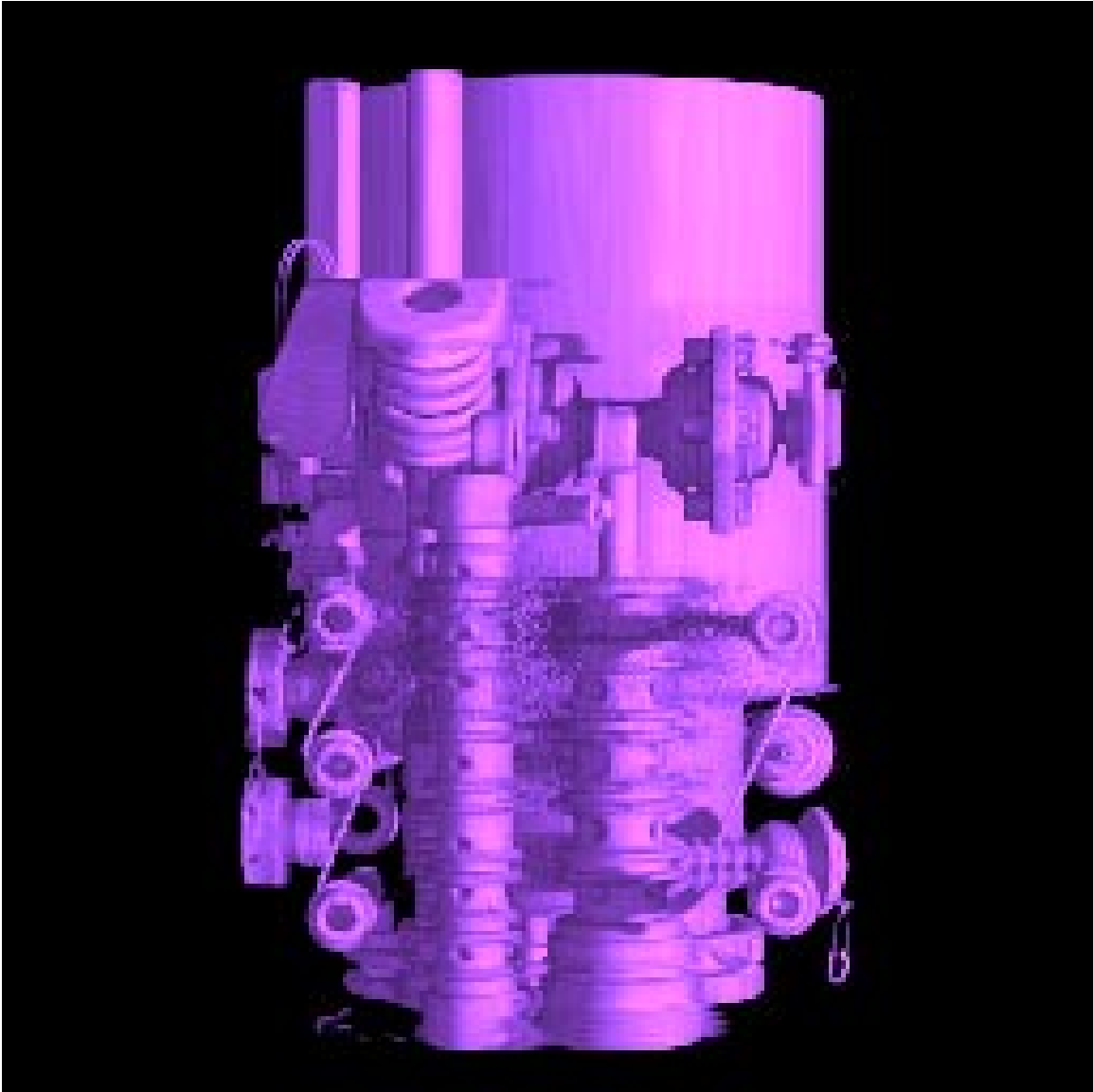


Figure 13. Middle Servo, Right Side View.

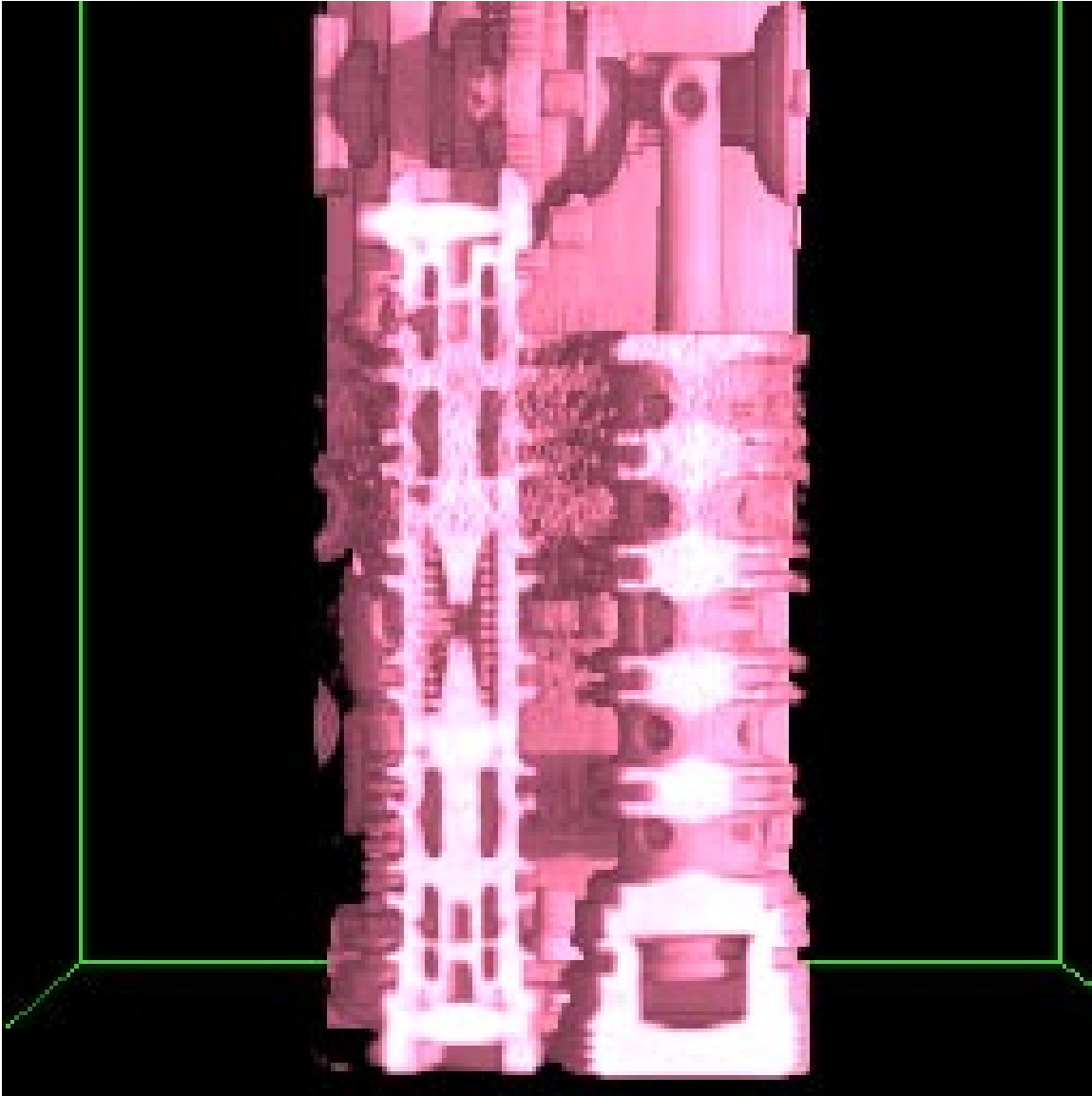


Figure 14. Middle Servo, Vertical Slice of Bypass Assembly.

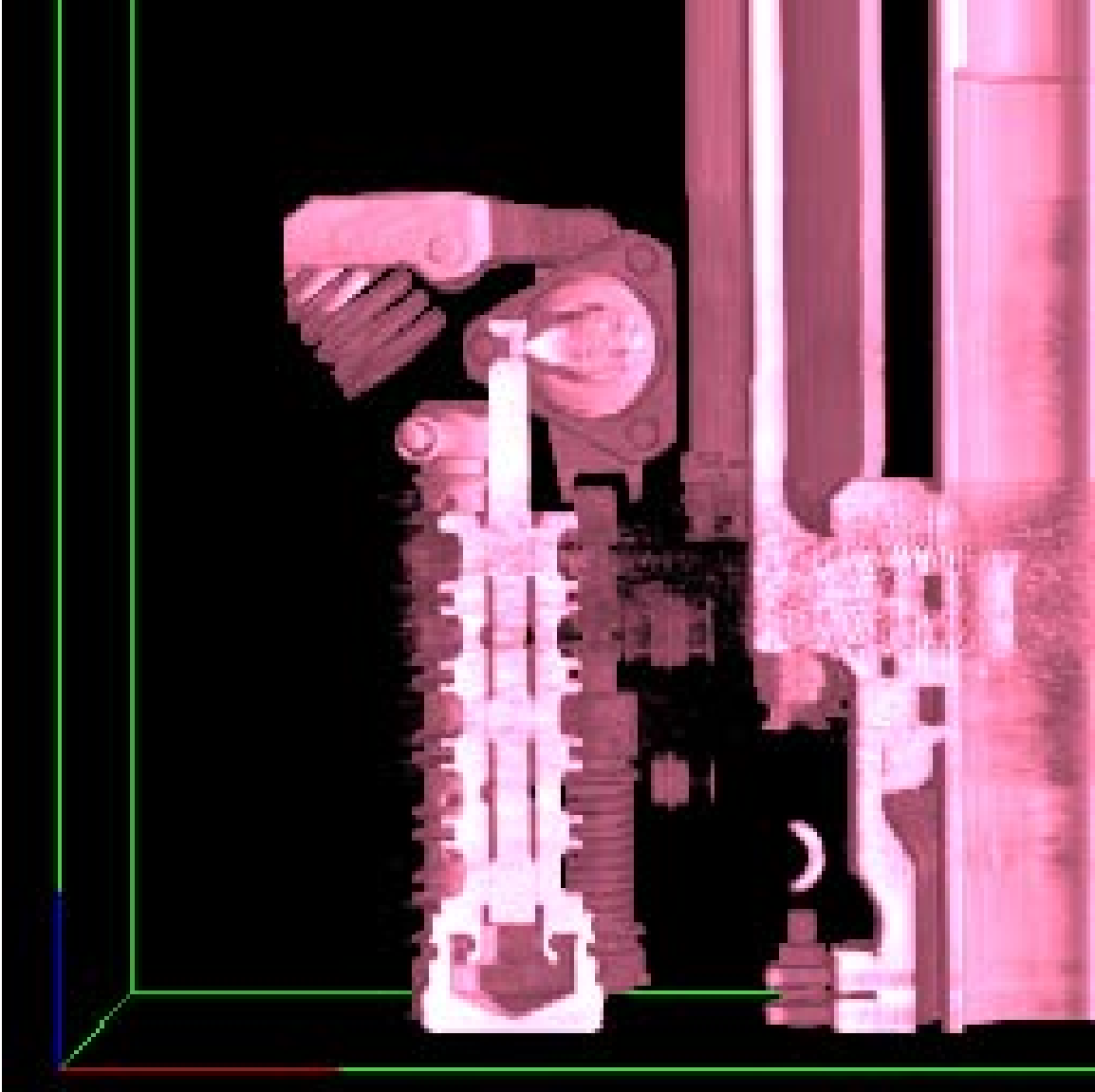


Figure 15. Middle Servo, Back View, Vertical Slice of Main Valve.

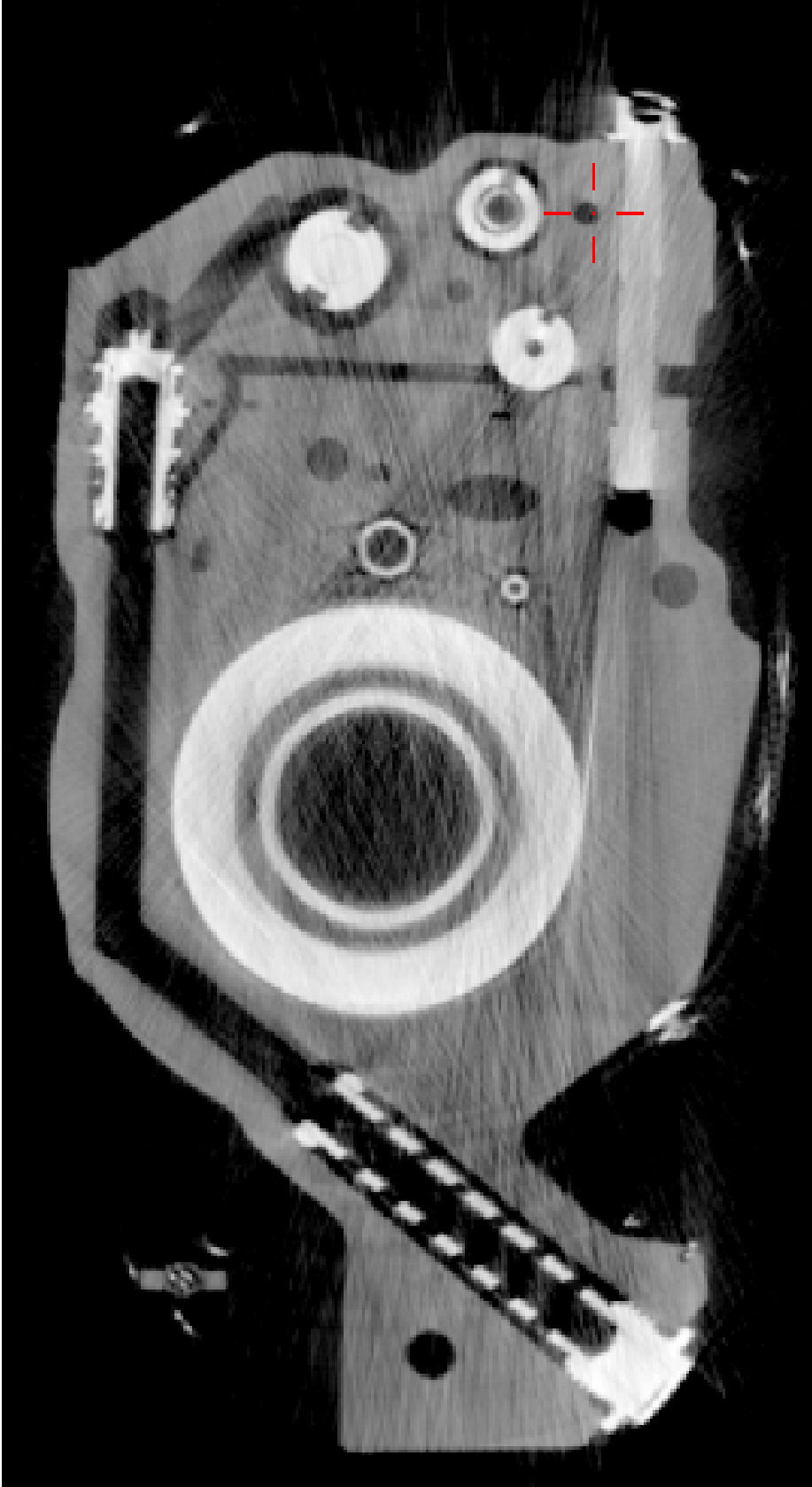


Figure 16. Middle Servo, Horizontal Slice of Pressure Filter and Non-Return Valve.

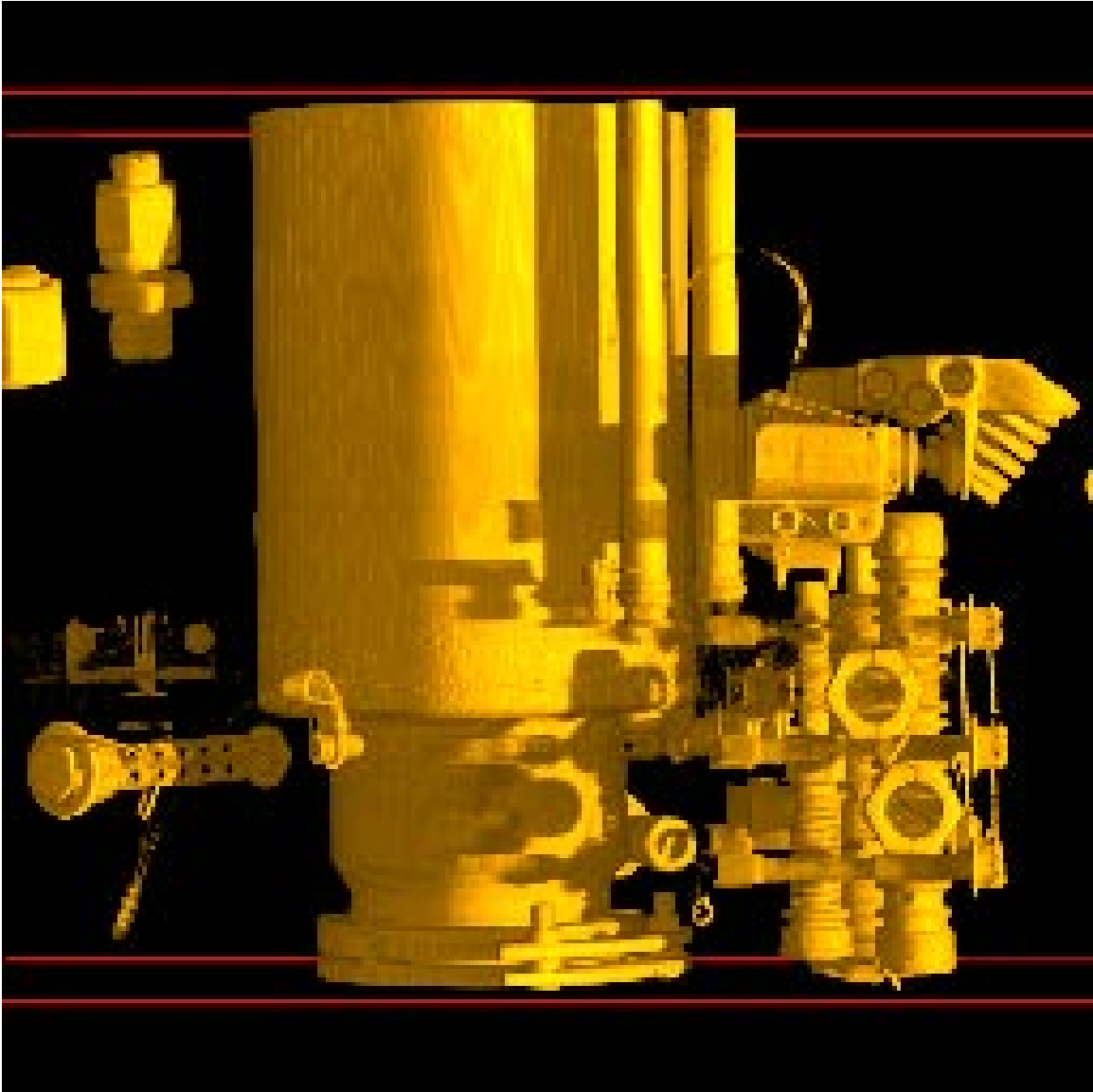


Figure 17. Lower Servo, With Aluminum Removed.

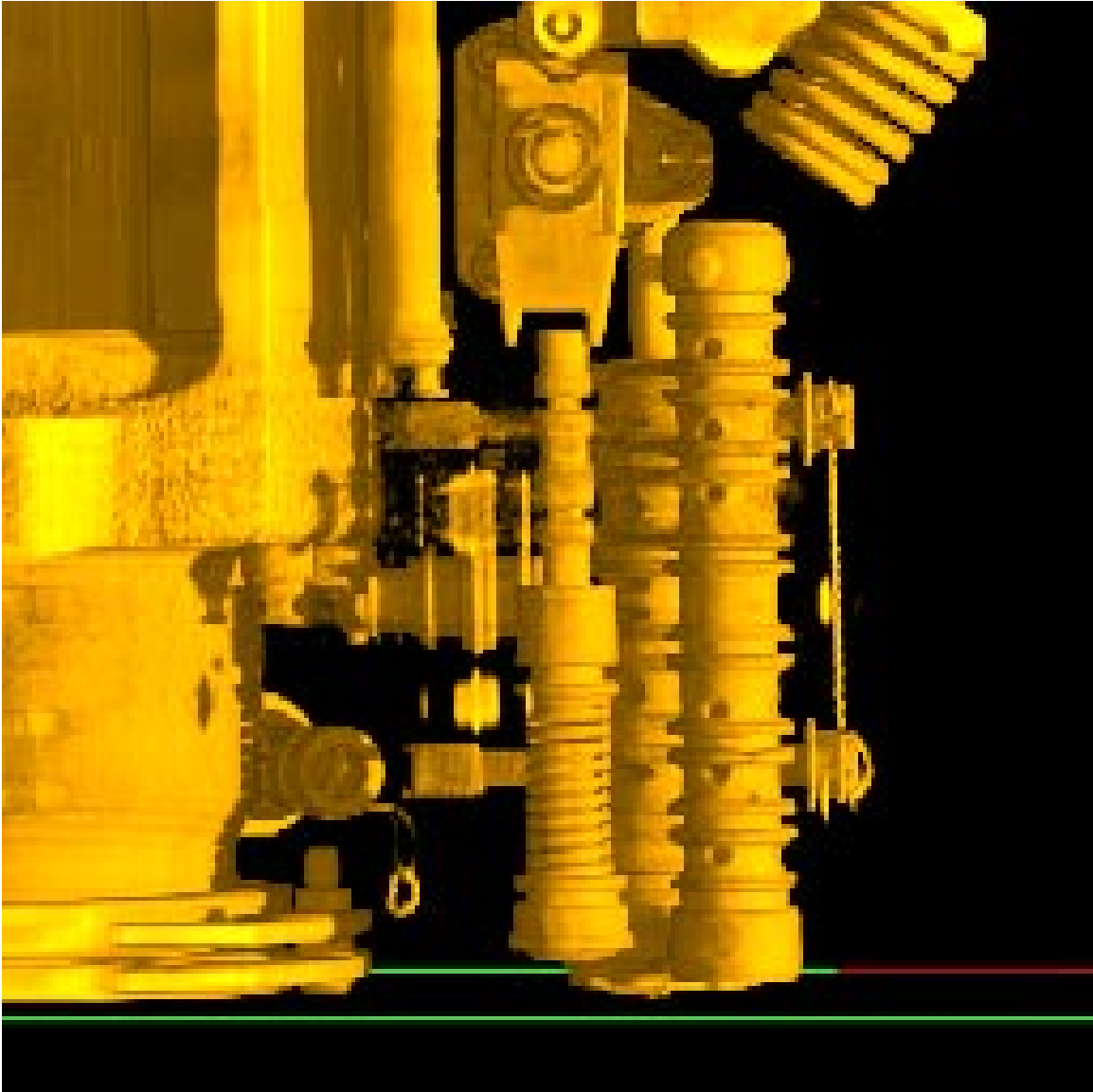


Figure 18. Lower Servo, Test Finger and Bypass Assemblies.

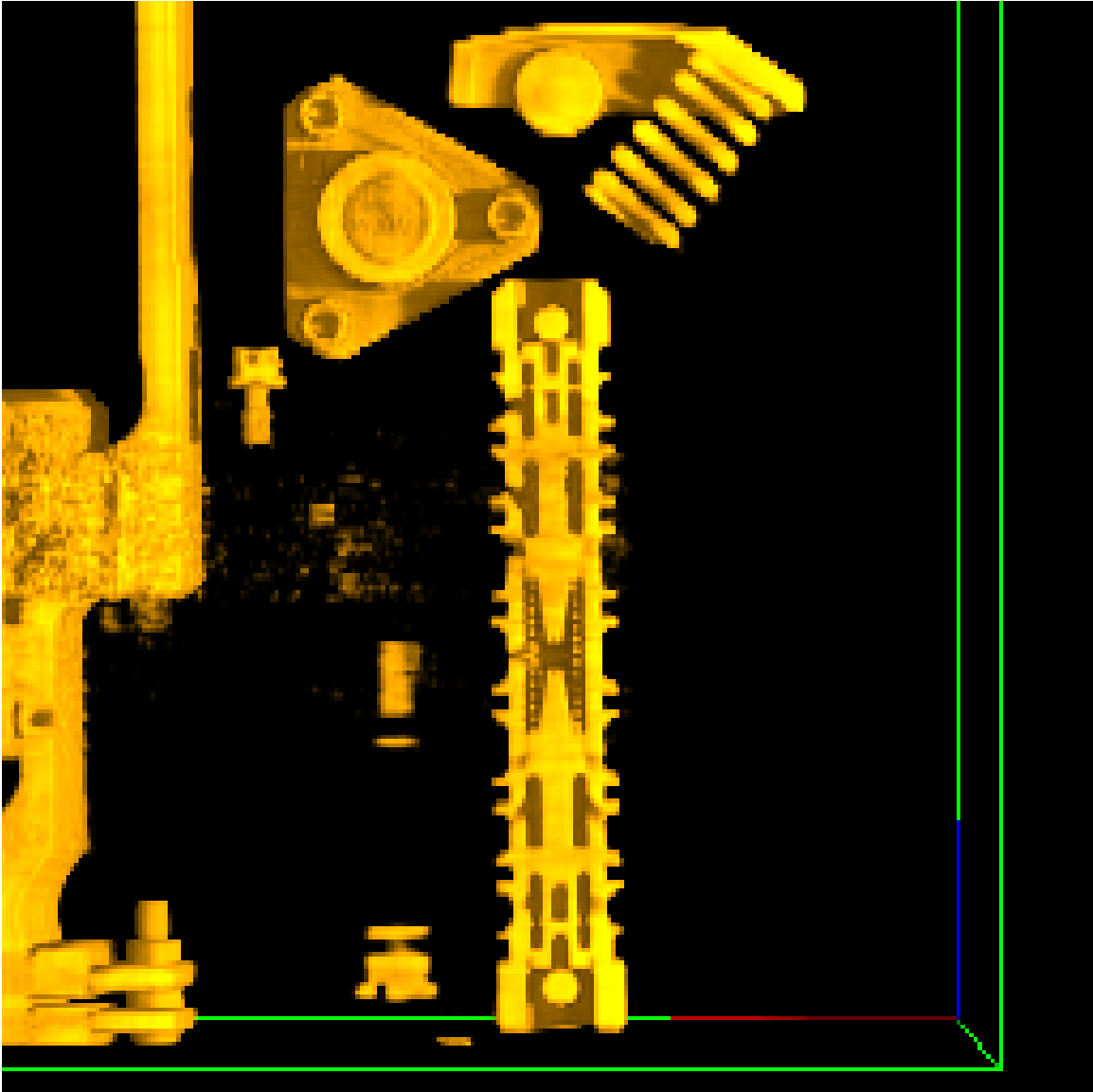


Figure 19. Lower Servo, Vertical Slice of Bypass Assembly.

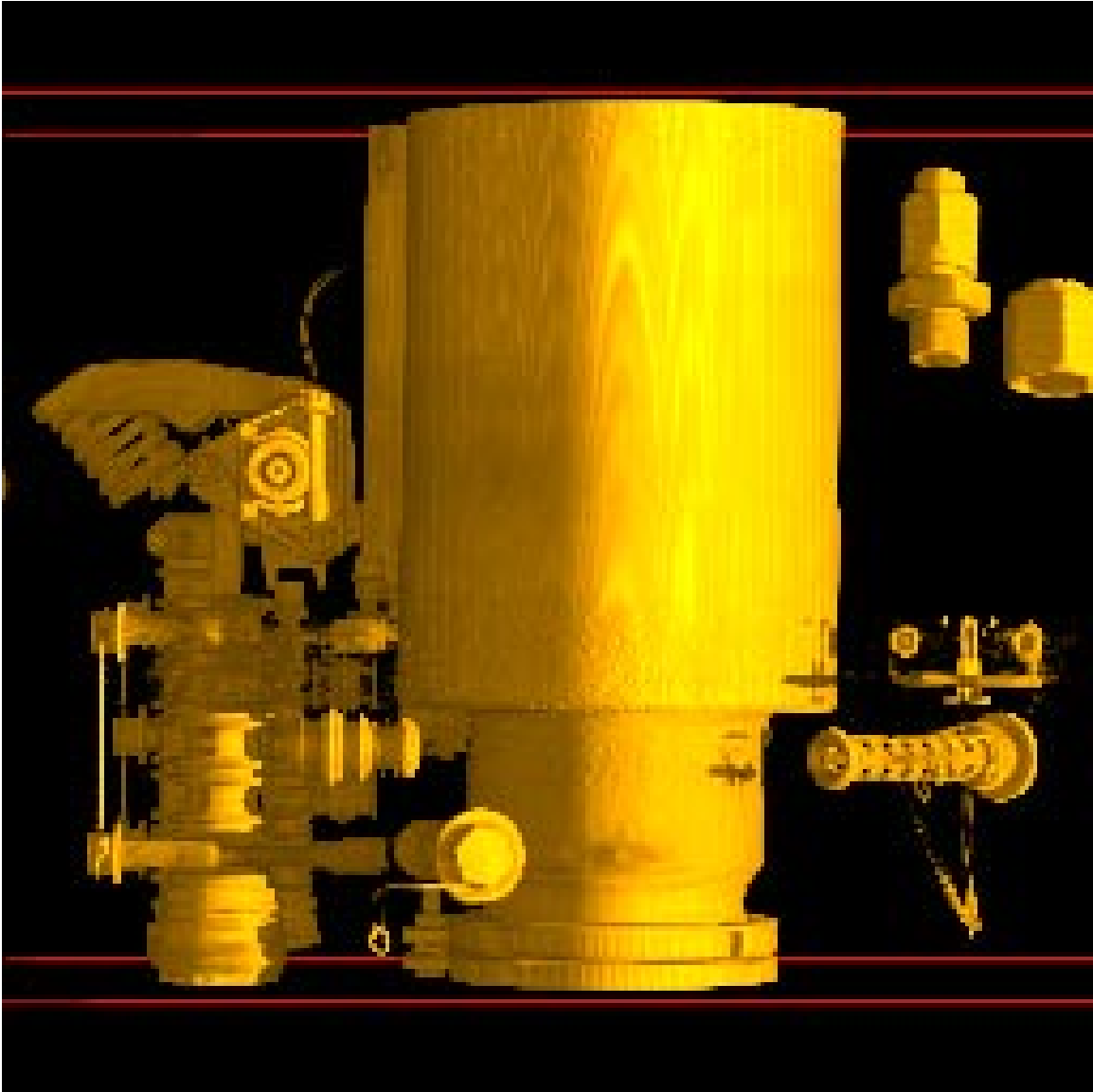


Figure 20. Lower Servo, Back View

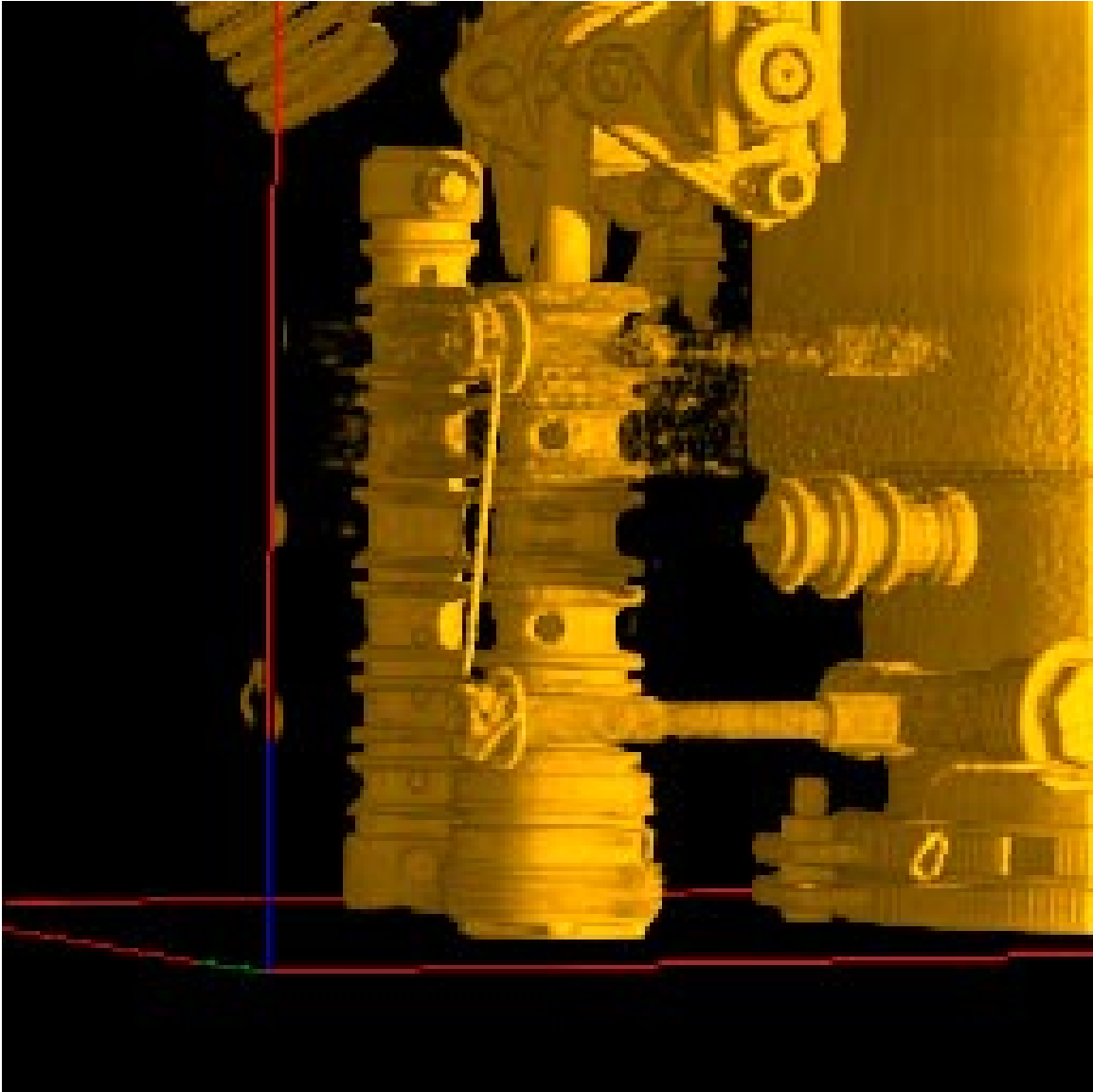


Figure 21. Lower Servo, Bypass, Main Valve and Non-Return Valve.

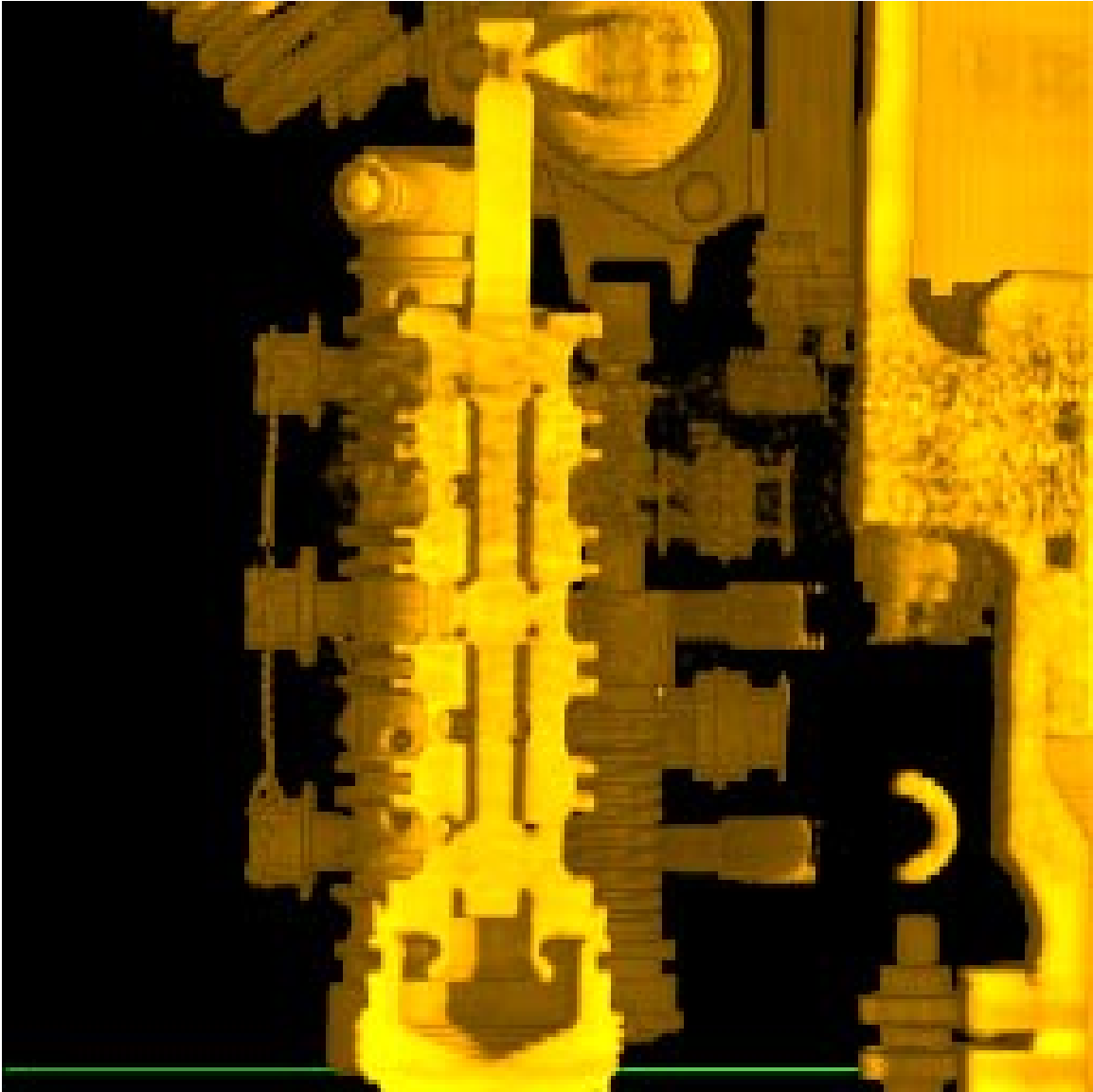


Figure 22. Lower Servo, Vertical Slice of Main Control Valve.

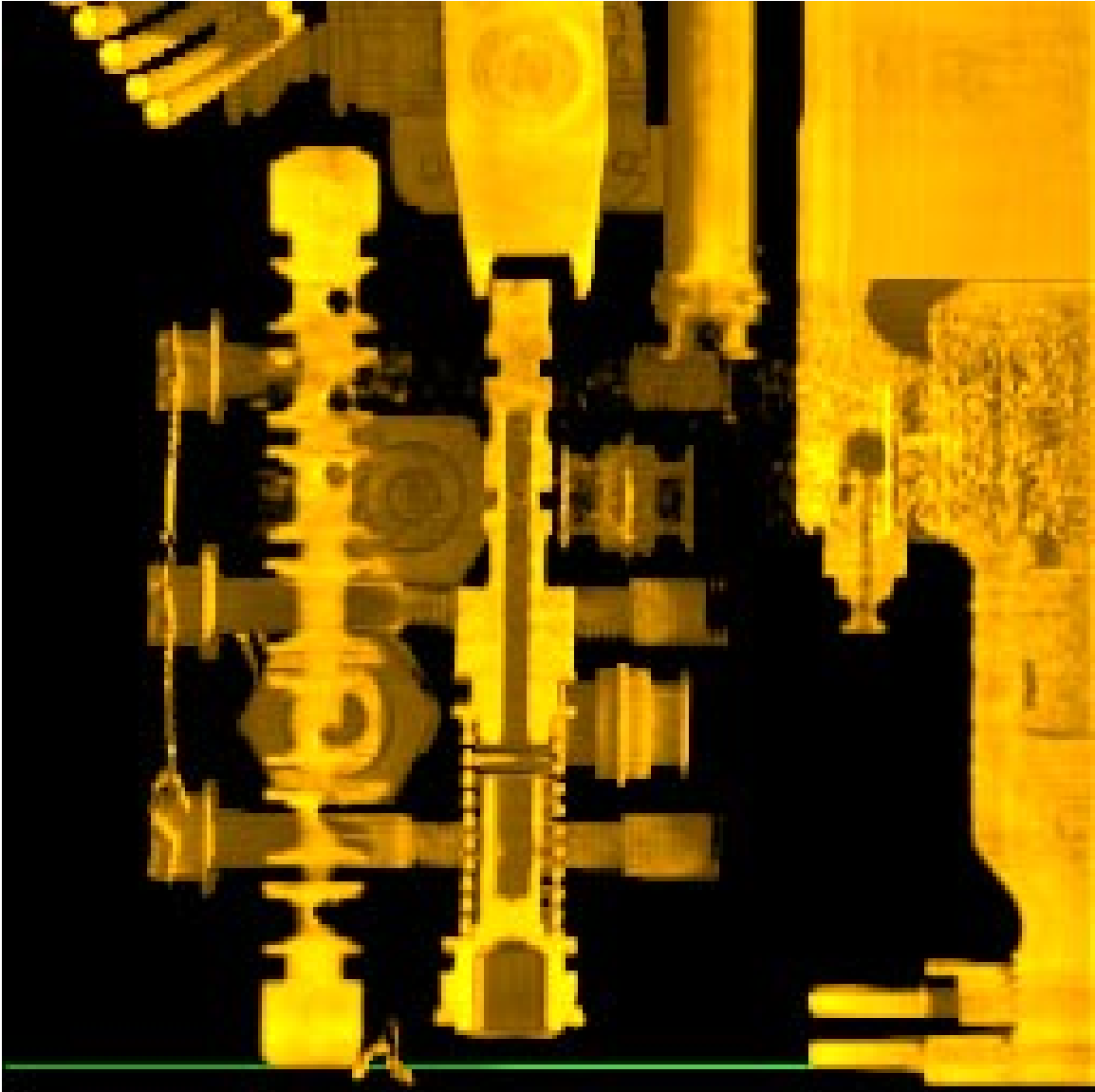


Figure 23. Lower Servo, Vertical Slice of Test Finger.

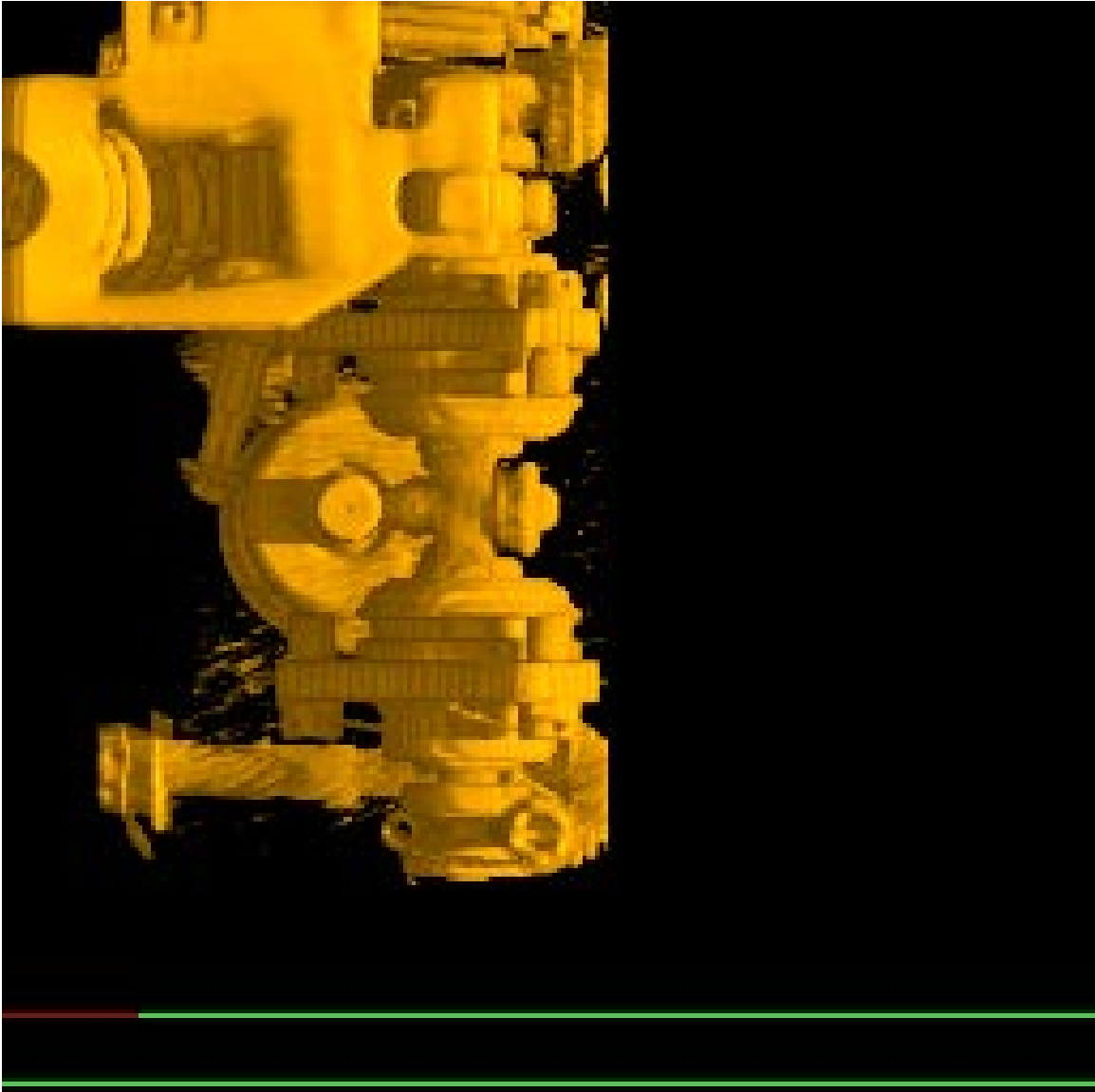


Figure 24. Lower Servo, Top View of input Linkage.

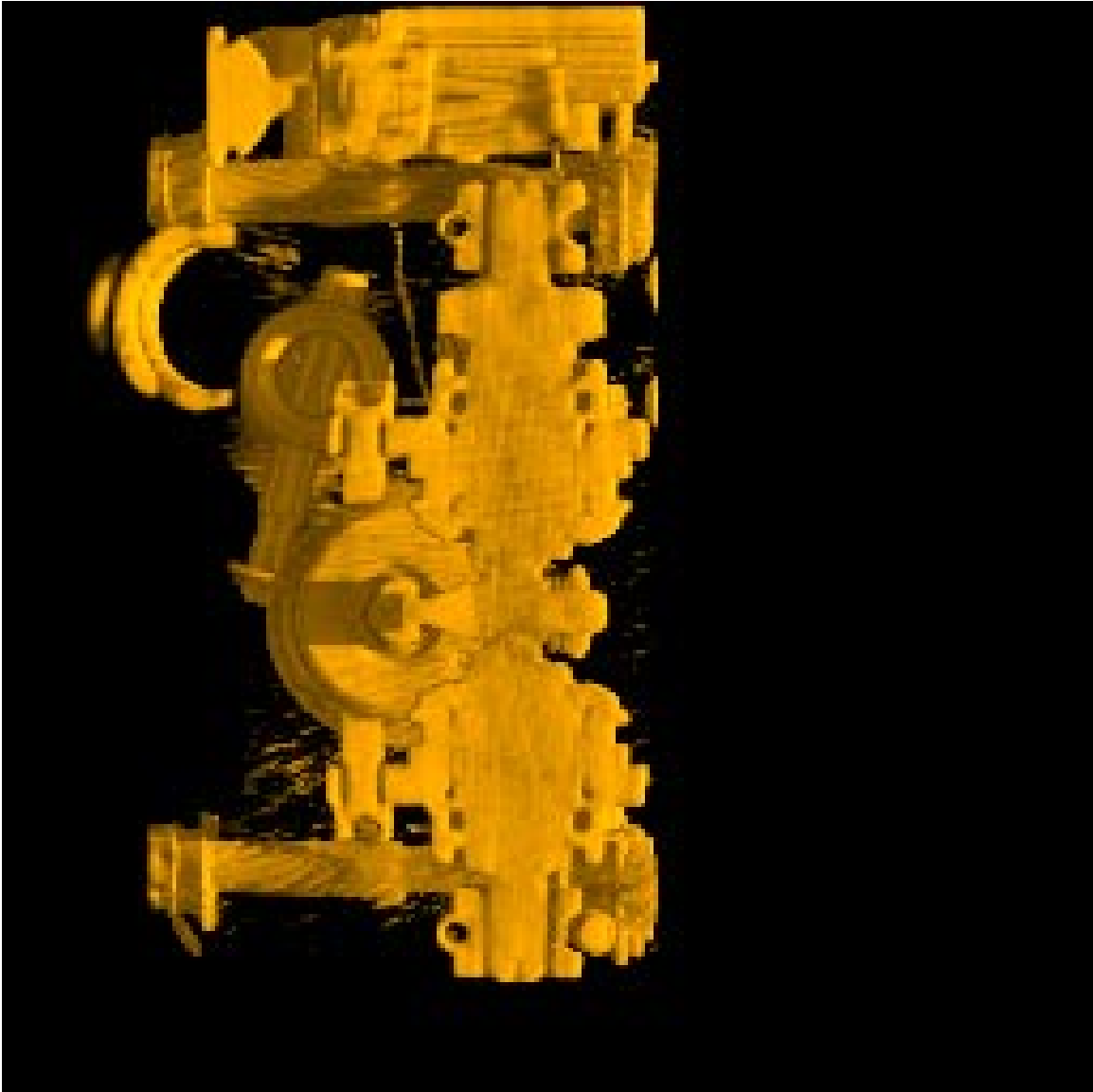


Figure 25. Lower Servo, Top View Horizontal Slice of Input Linkage.

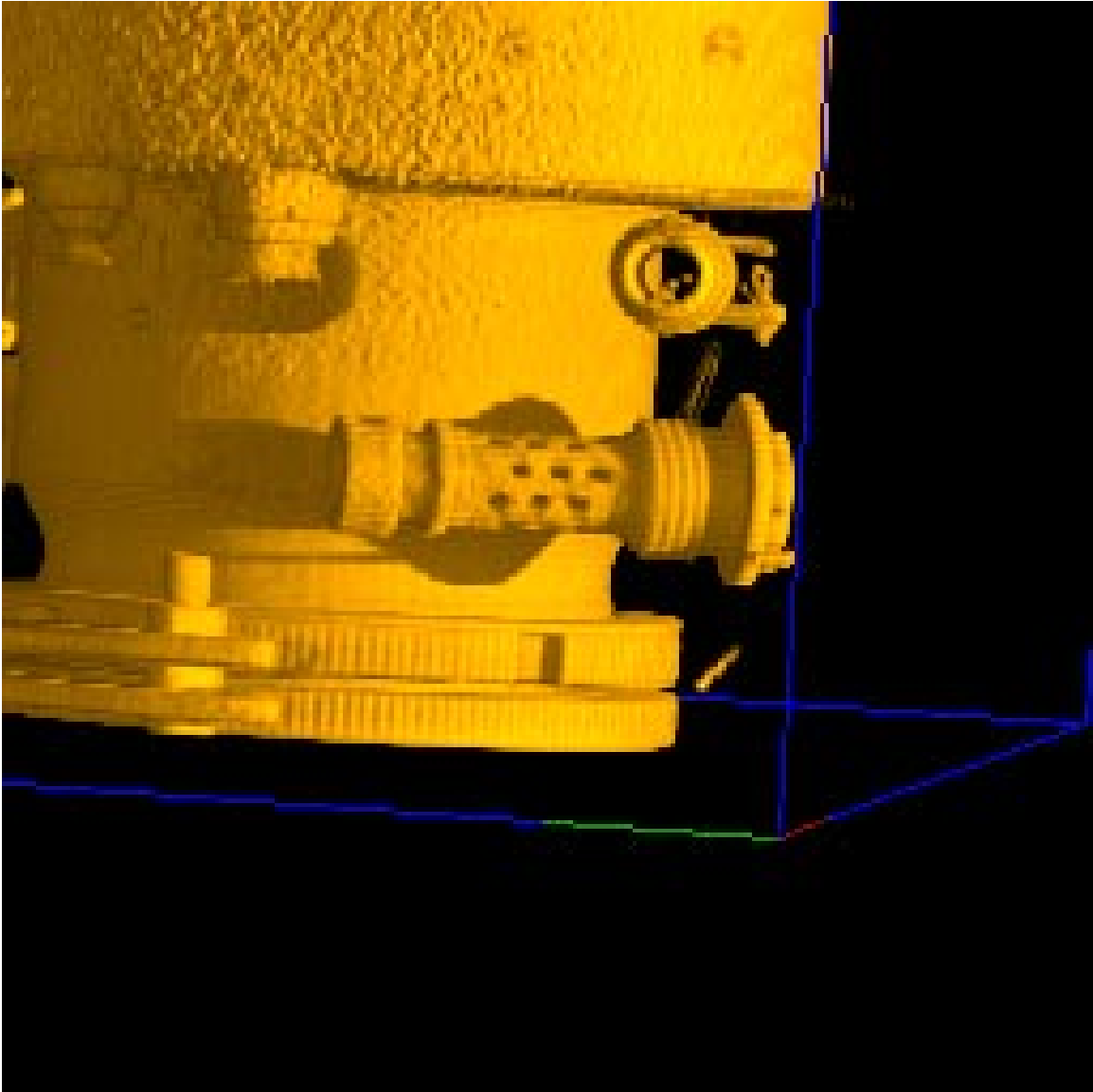


Figure 26. Lower Servo, Return Filter.

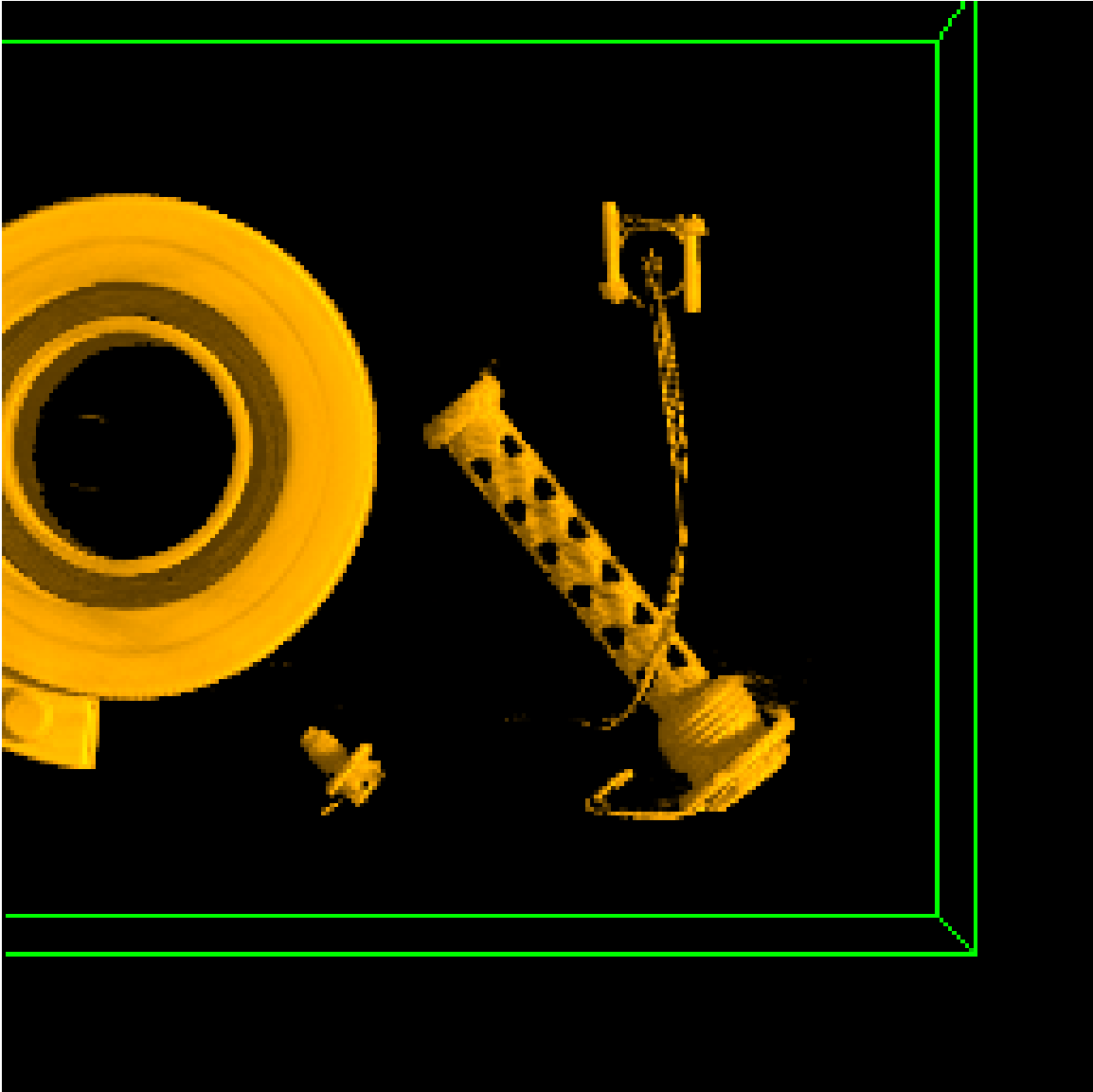


Figure 27. Lower Servo, Pressure Filter.