

DCA98MA015
December 28, 1997
Over Pacific Ocean

ATTACHMENT 4

Ceiling Damage Diagrams

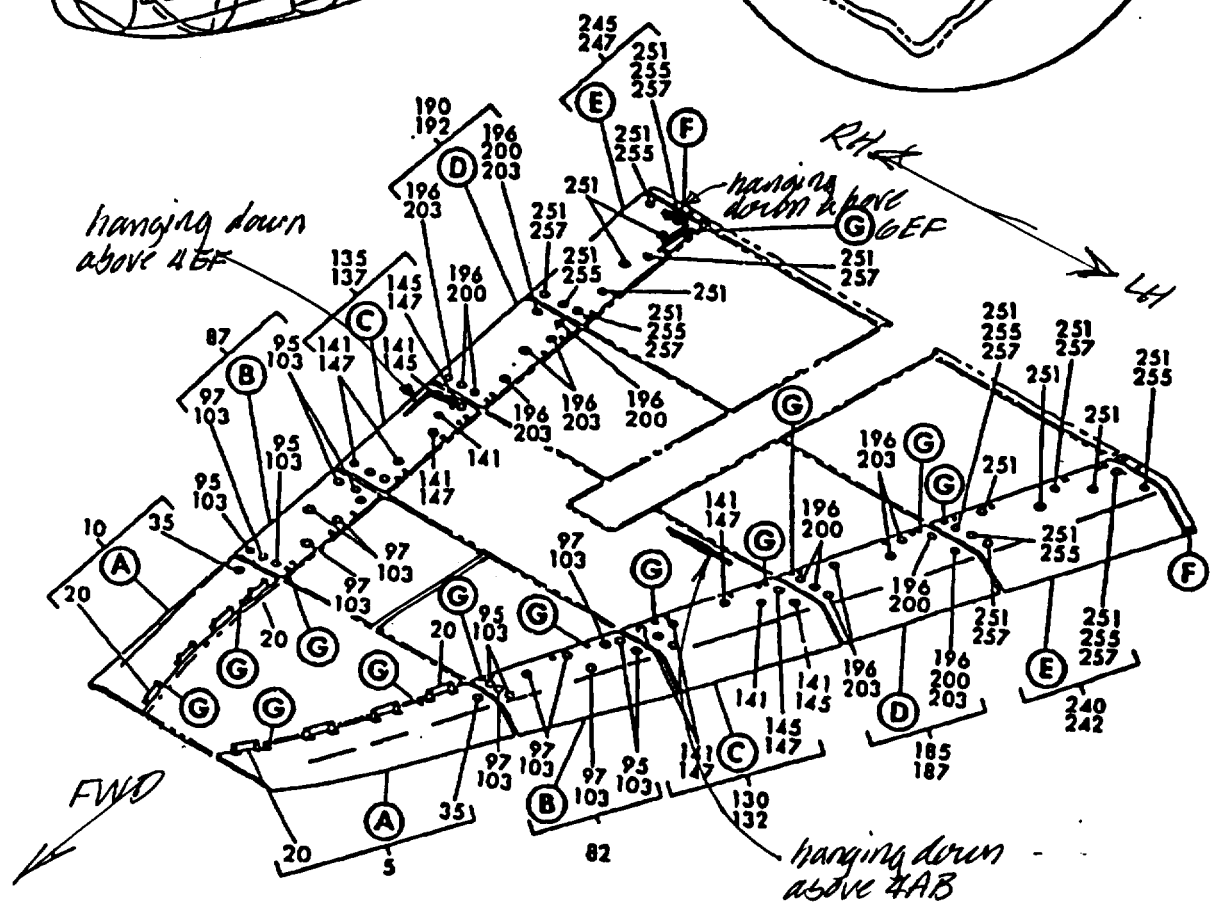
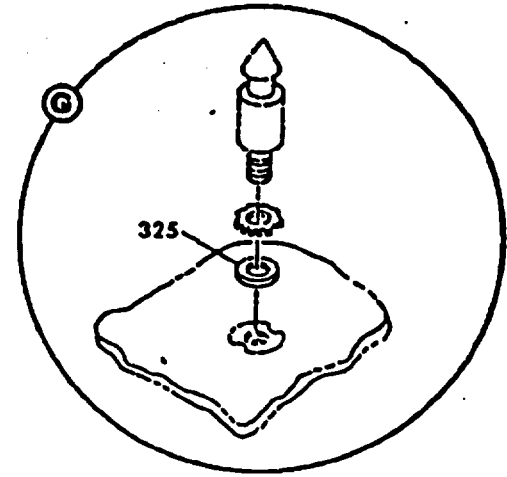
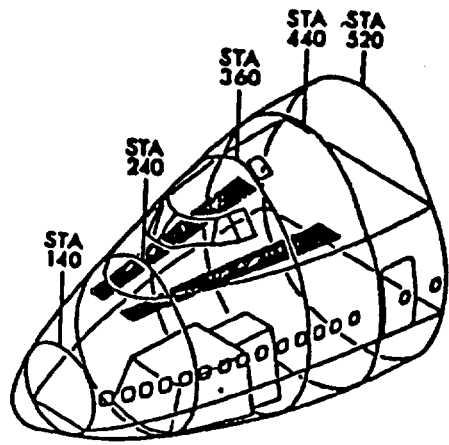
(6 Pages)

CEILING PANEL DOCUMENTATION

12

ILLUSTRATED PARTS CATALOG

Zone A



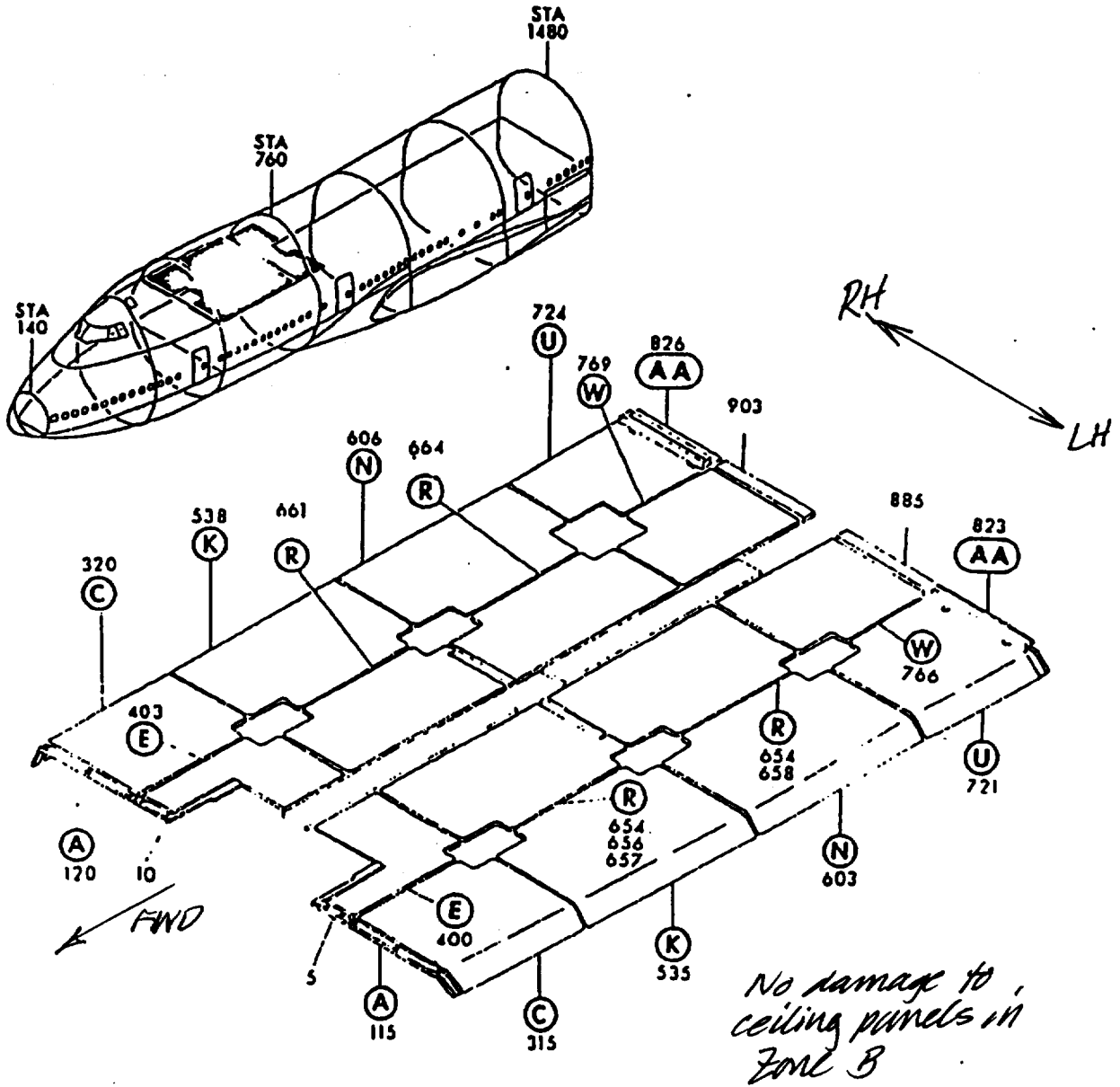
Zone A
Looking down

CEILING INSTL-ZONE A OUTBOARD



ILLUSTRATED PARTS CATALOG

Zone B



*Zone B
Looking Down*

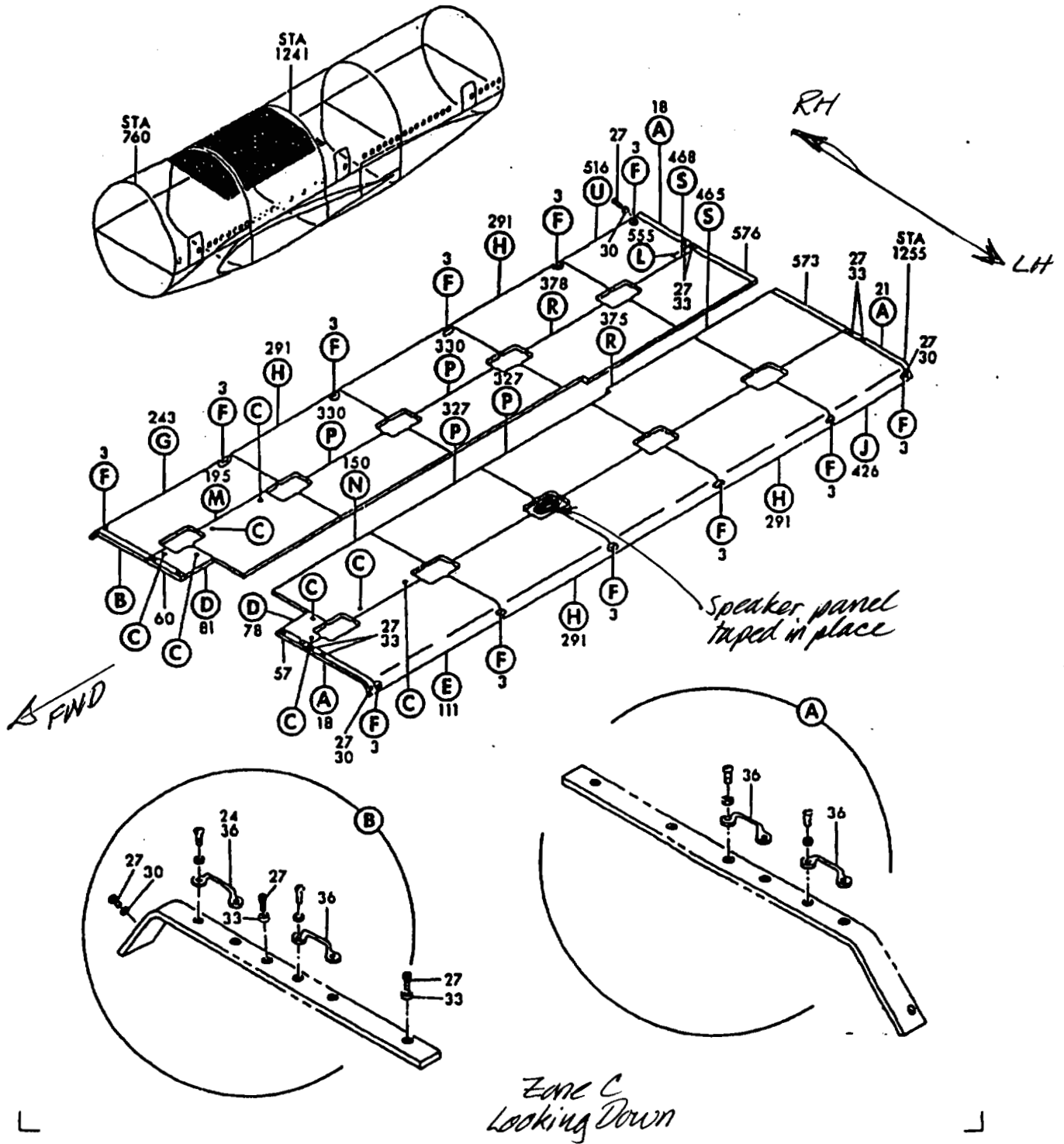
CEILING INSTL-ZONE B

6

ILLUSTRATED PARTS CATALOG

14

Zone C



CEILING INSTALLATION-ZONE C

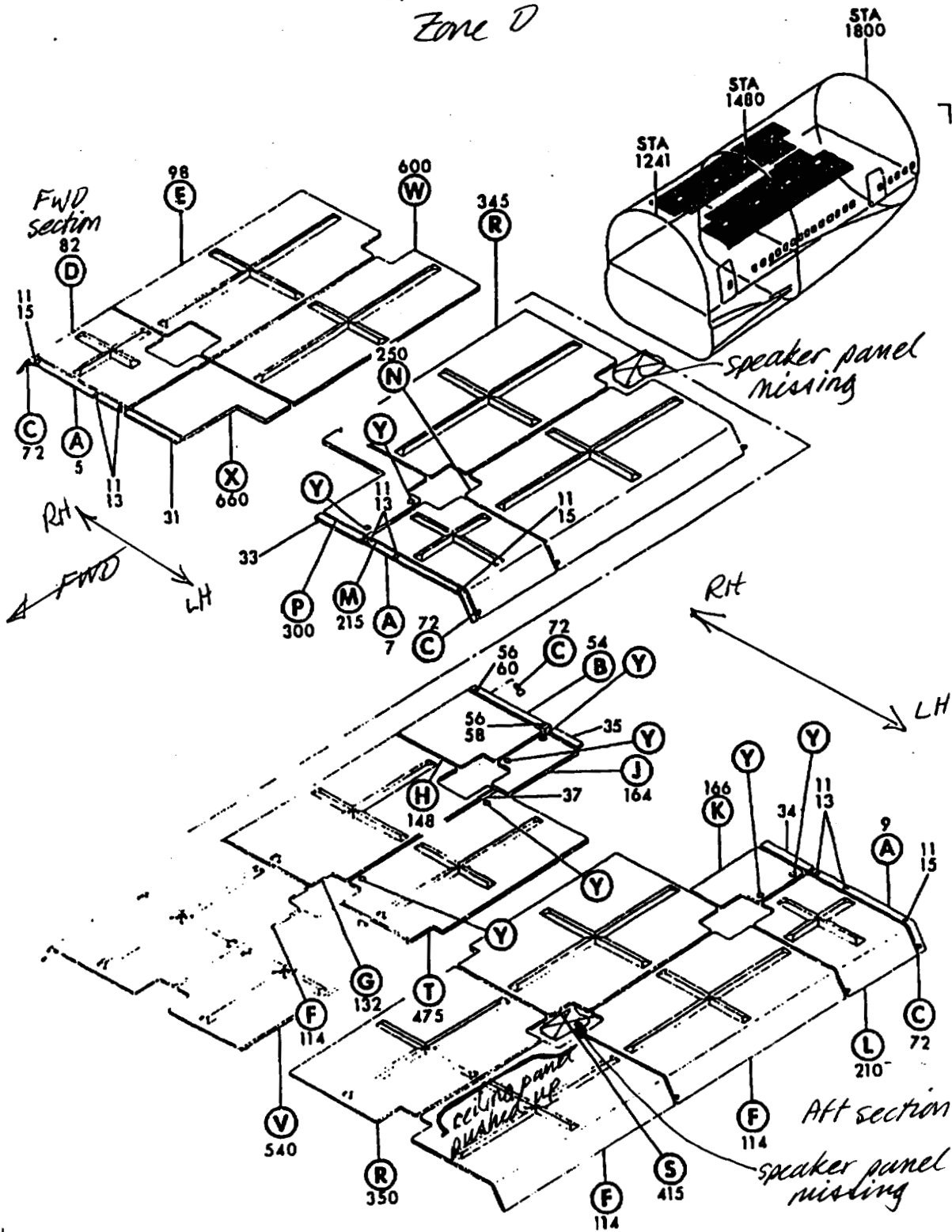
7

3

15

ILLUSTRATED PARTS CATALOG

Zone D



CEILING INSTL-ZONE D

Zone D, Looking Down

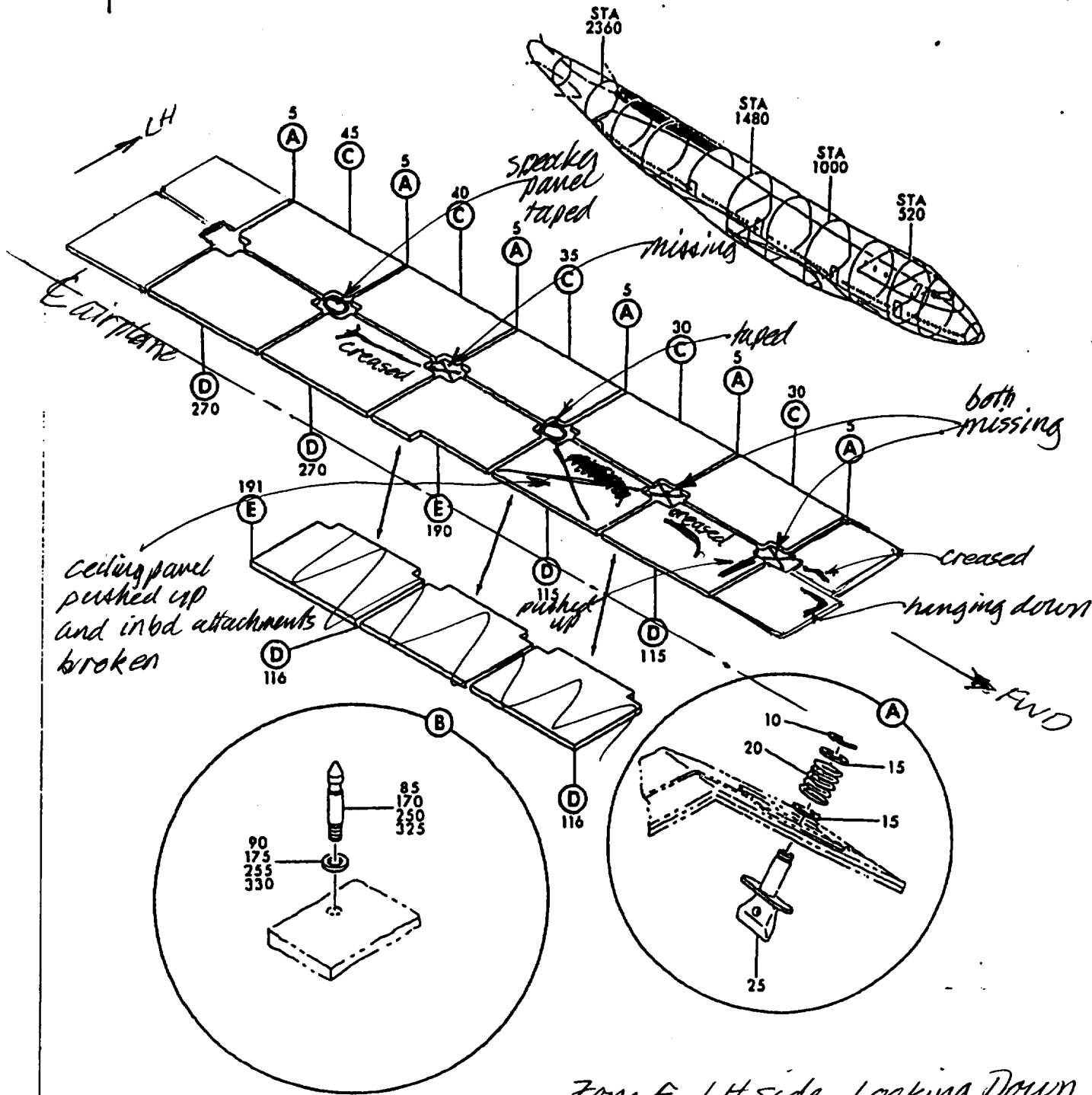
747
10-13-72

4

ILLUSTRATED PARTS CATALOG

16

Zone E, LH side



Zone E, LH side, Looking Down

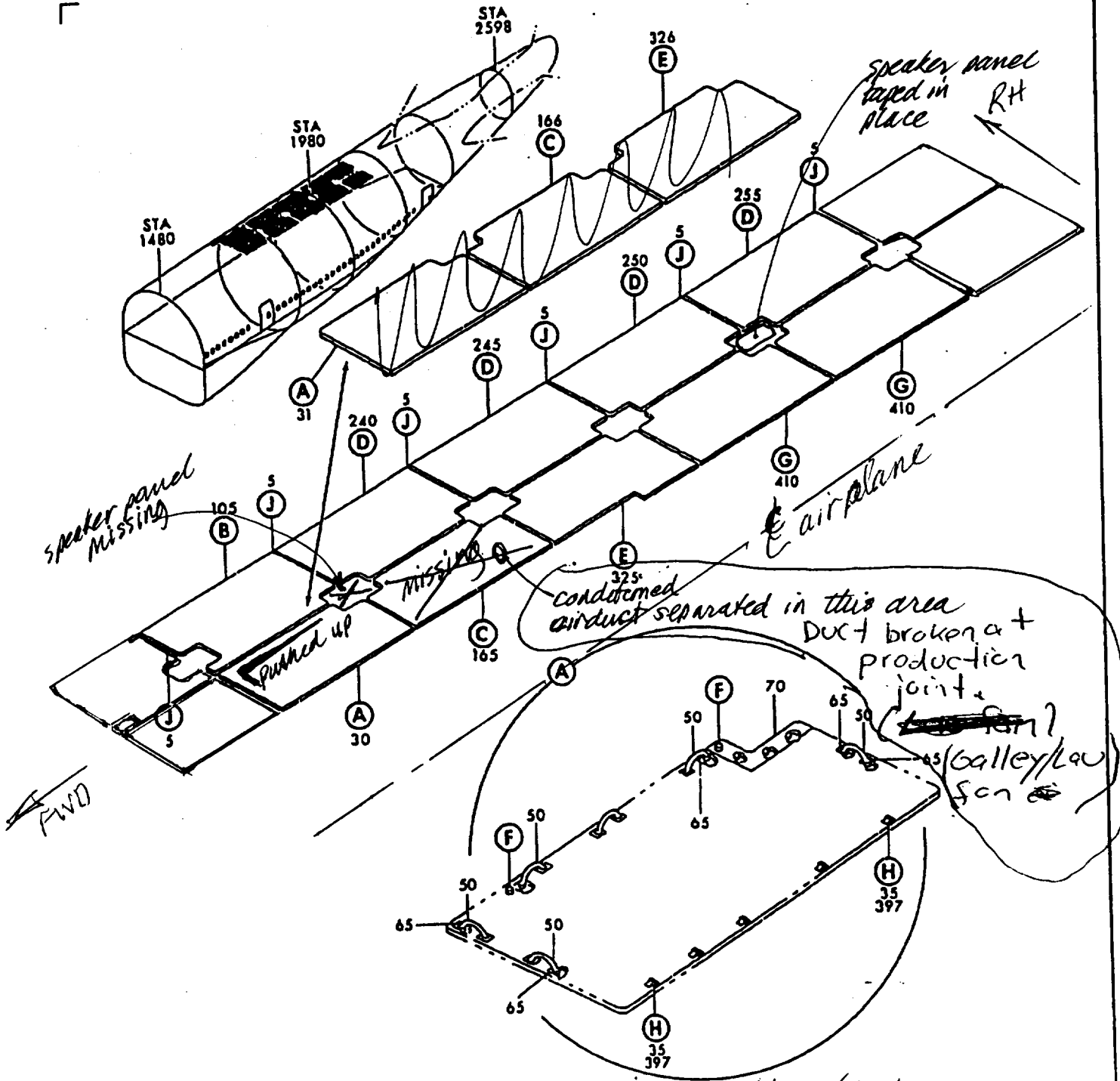
CEILING INSTL-STA 1780.45 TO 2180.45 ZONE E LH

5

ILLUSTRATED PARTS CATALOG

Zone E, RH Side

17



Zone E, RH Side, Looking down

CEILING INSTL-STA 1780.45 TO 2180.45 ZONE E RH

6