



National Transportation Safety Board

Enbridge Line 6B Heavy Crude Oil Release

Marshall Michigan, July 25th 2010

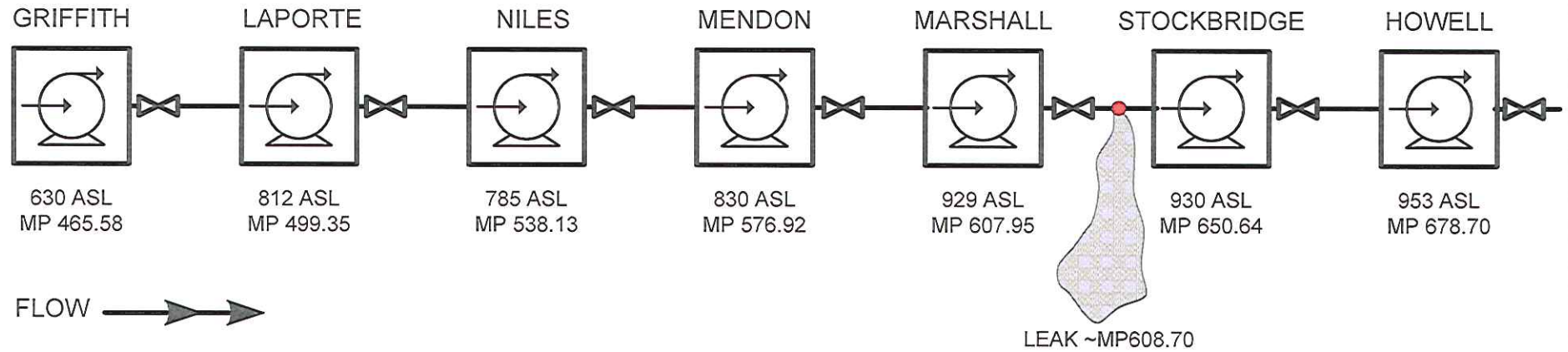
Supporting Information

FOR OFFICIAL USE ONLY. THE INFORMATION SUPPLIED IN THIS TIMELINE SHALL BE CONSIDERED PRELIMINARY AND IS SUBJECT TO CHANGE THROUGHOUT THE COURSE OF THE INVESTIGATION. THIS INFORMATION IS NOT TO BE DISTRIBUTED WITHOUT WRITTEN CONSENT FROM THE NTSB.

Line Diagram of Enbridge Pump Station Locations

KEY:

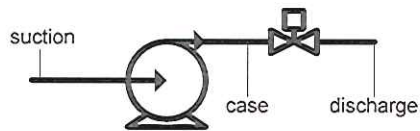
ASL = Above Sea Level
 MP = Mile Post



NILES STATION IS BYPASSED DURING START-UP IN PREPARATION FOR AN INLINE INSPECTION TOOL RUNNING IN THE LINE.

THE MARSHALL PUMP STATION SHUTS DOWN ON LOW SUCTION PRESSURE ON JULY 25TH.

STRONG COLUMN SEPARATION INDICATIONS APPEAR AT MARSHALL DURING RESTART THE FOLLOWING DAY, JULY 26TH



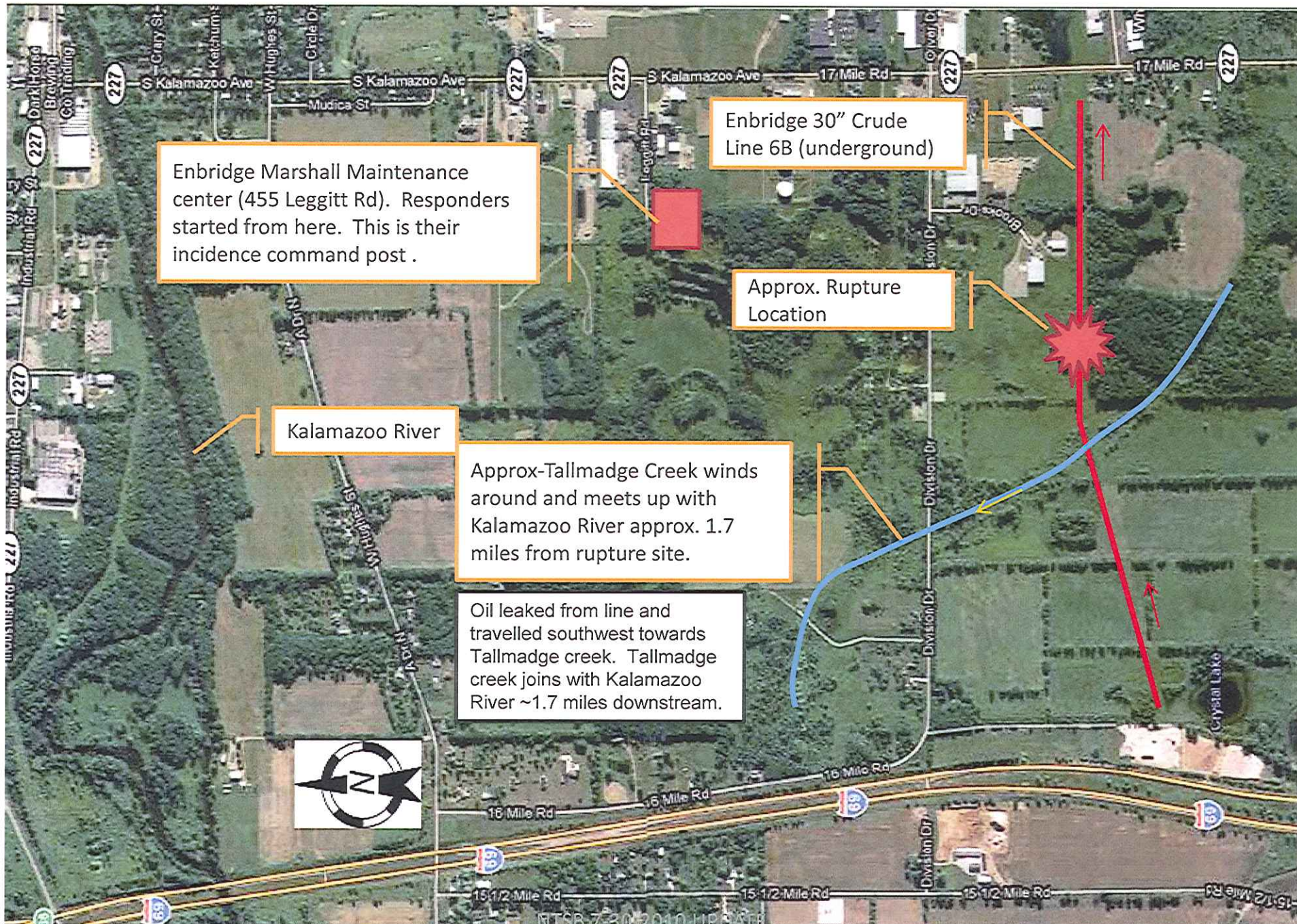
NOTES:

ELEVATIONS ARE APPROXIMATE ONLY, TAKEN FROM THE ALIGNMENT SHEET.
 MP ARE AS INDICATED ON THE ALIGNMENT SHEETS.

NOT EVERY VALVES IS SHOWN ON THIS SKETCH.

ENBRIDGE MARSHALL MICHIGAN LINE 6B LEAK

FOR OFFICIAL USE ONLY. THE INFORMATION SUPPLIED IN THIS TIMELINE SHALL BE CONSIDERED PRELIMINARY AND IS SUBJECT TO CHANGE THROUGHOUT THE COURSE OF THE INVESTIGATION. THIS INFORMATION IS NOT TO BE DISTRIBUTED WITHOUT WRITTEN CONSENT FROM THE NTSB."



Enbridge Marshall Maintenance center (455 Leggett Rd). Responders started from here. This is their incidence command post .

Enbridge 30" Crude Line 6B (underground)

Approx. Rupture Location

Kalamazoo River

Approx-Tallmadge Creek winds around and meets up with Kalamazoo River approx. 1.7 miles from rupture site.

Oil leaked from line and travelled southwest towards Tallmadge creek. Tallmadge creek joins with Kalamazoo River ~1.7 miles downstream.

