

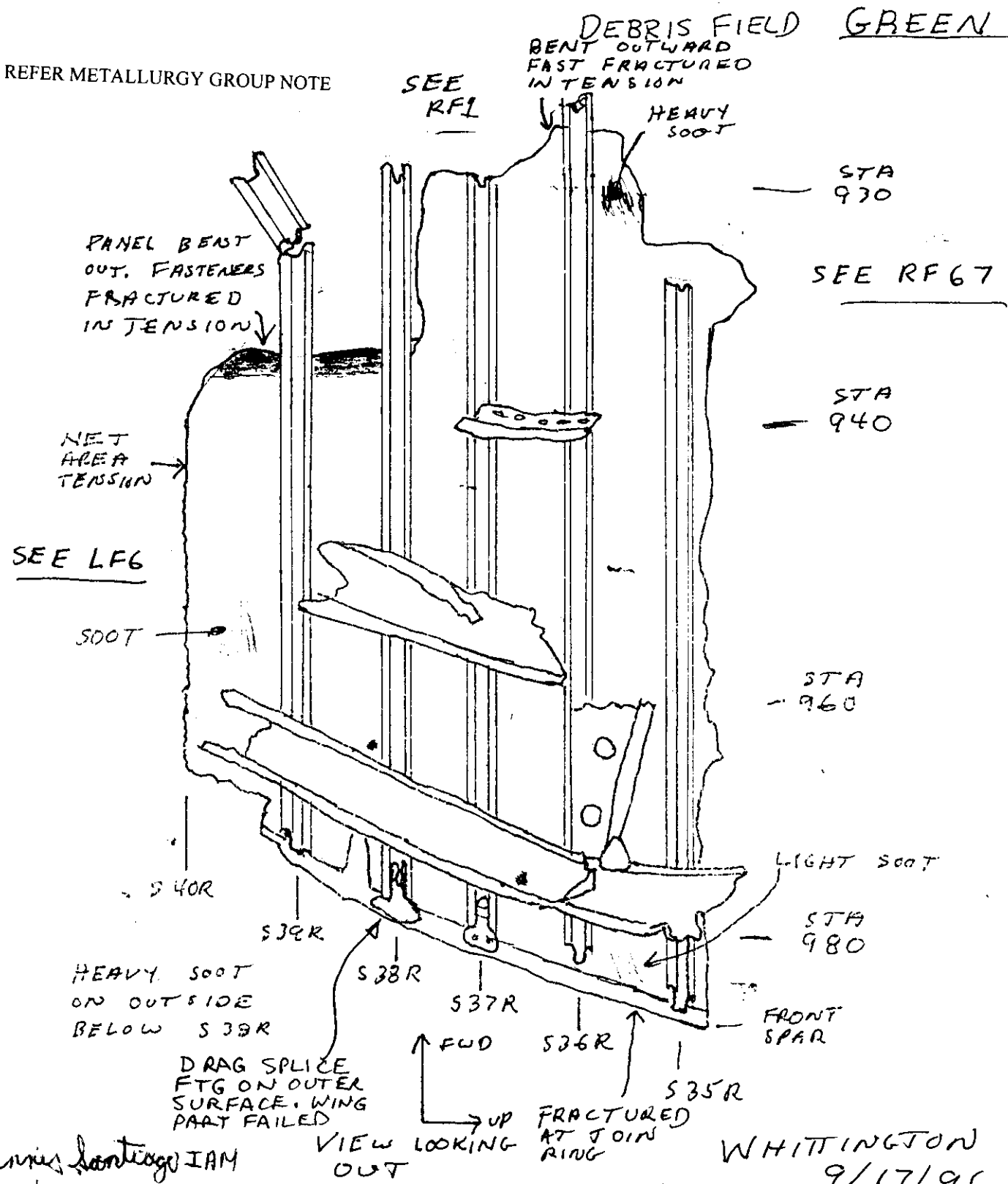
LOG # RF 95

TAG # Z 3072

COORD: LAT _____
LONG _____

DEBRIS FIELD GREEN

REFER METALLURGY GROUP NOTE

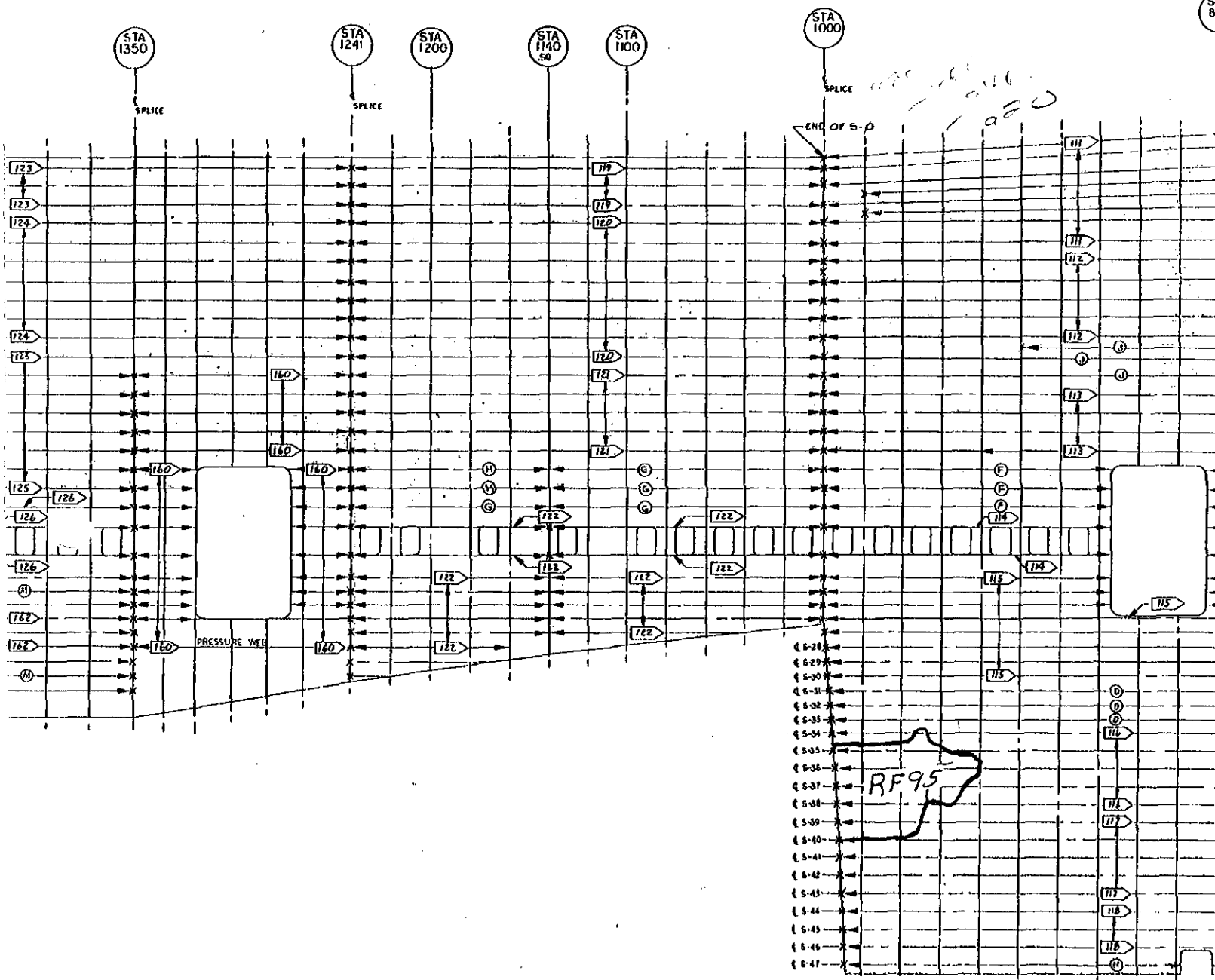


Dennis Santiago IAM
10/26/96

WHITTINGTON
9/17/96
STEPHEN K...
FAA 10-24-96

ENGR.		REVISED	DATE
-------	--	---------	------

RF95



DEVELOPED VIEW-
RIGHT SIDE
SCALE 1/20

Stephen F. Klappert
FAA 10-29-46

65B000052

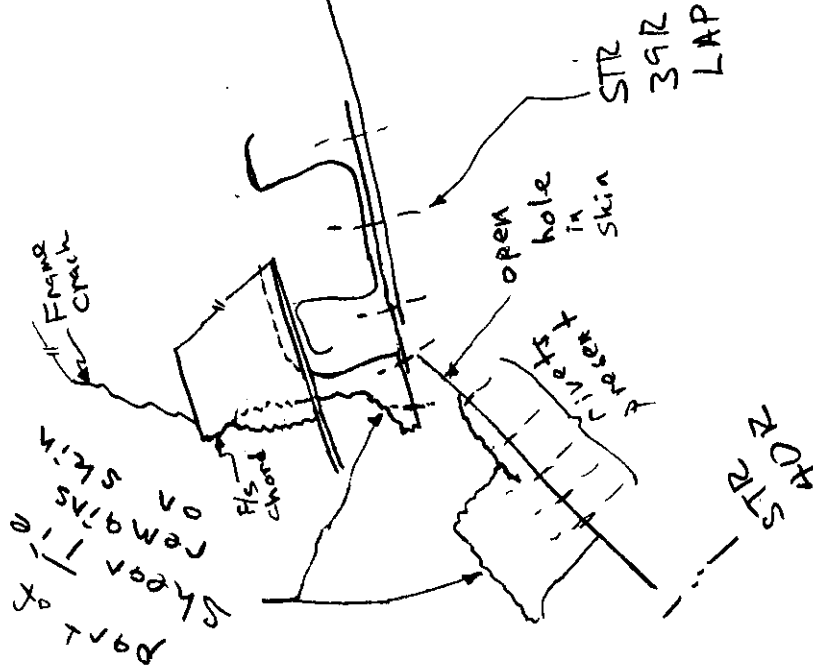
FR 2

3

242

Part of shear tie
at Sta 980 remains
attached to skin
btwn Str 40R to 39R.

UP
R/A
OTBR



SECTION
LOOKING
FWD
AT STA 980

R F 95
SUPPLEMENTAL
PAGE

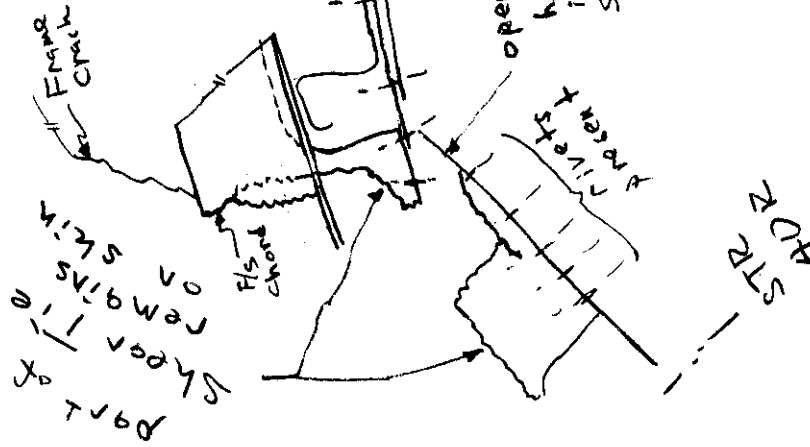
SUPPORTS LFGA

Henry Missel
1-30-97

7

Part of shear tie
at Sta 980 remains
attached to skin
btwn STR 40R to 39R.

UP
R/A
OTB/D



SECTION
LOOKING
FWD STA 980
AT STA

RF95
SUPPLEMENTAL
PAGE

SUPPORTS LFGA

Shaw
TWA 3/26/97

GA Report ACPT
4/9/97

Demo Santiago FAM
4-7-97
Tom Todman
FAA 4-11-97

Henry Missel, Boeing
1-30-97