

GREEN DEBRIS FIELD

LOG # RF 55A, B, C, D

TARGET # _____ *RF 55A*

COORD: LAT _____

LONG _____

DEBRIS FIELD GREEN

RF 55A C1067

REFER METALLURGY GROUP NOTES

THIS SECTION IS THE "TAIL CONE" RUNNING FROM STATION 2742 BACK TO STATION 2775.30. THE PIECE IS INTACT WITH A PIECE OF STA. 2742 FRAME MISSING BETWEEN THE 8 O'CLOCK TO 11 O'CLOCK POSITIONS. THE AFT END EXTERIOR IS SLIGHTLY CRUNCHED FROM THE 1 O'CLOCK TO 5 O'CLOCK POSITIONS. THERE IS NO FIRE OR SMOKE DAMAGE.

R 55B TAG # C803 STA 2658 TITANIUM FIREWALL (APU).

THIS PORTION OF STRUCTURE RUNS ACROSS THE TOP OF THE EMPENNAGE AND ENCOMPASSES THE STATION 2658 FIREWALL. THE PIECE BEGINS AT STA 2638 AND RUNS BACK TO STA. 2709.30. AT STA 2638 IT RUNS FROM STRINGER LA ON THE LEFT SIDE OF THE EMPENNAGE OVER THE TOP TO STR R7 ON THE RIGHT ~~SIDE~~ SIDE OF THE EMPENNAGE. STRINGERS ARE BROKEN AND FRACTURED. THERE IS NO EVIDENCE OF FIRE OR SMOKE DAMAGE. THE FIREWALL IS TORN AND PUNCTURED. THE TOP SECTION, AT THE CENTER LINE, ALSO CONTAINS THE RUDDER **2** AERODYNAMIC SEAL SHIELD WHICH RUNS FROM STA. 2658 TO 2709.30.

GREEN DEBRIS FIELD

RF55

RF55 C

TAG #
C2338

THIS SECTION IS APPROX 2 FT LONG X 1 FT HIGH AND ENCOMPASSES A 2 FT PIECE OF THE RH APU ACCESS DOOR HINGE. IT RUNS FROM STA 2725.13 AFT TO STA 2742. THERE IS NO EVIDENCE OF FIRE OR SMOKE DAMAGE.

RF55 D C 127

THIS SECTION IS APPROX 7 FT LONG X 14 IN. HIGH. IT RUNS FROM STA 2664 BACK TO STA 2742 AND CONTAINS THE HINGE FITTING FOR THE LH APU ACCESS DOOR. THE 12 STATION CIRCUMFERENTIALS BETWEEN STA 2664 AND STA 2742 ARE ALL BROKEN AT APPROX 11 INCHES FROM THE TOP OF THE HINGE POINT. ALL CIRCUMFERENTIALS ARE BENT SLIGHTLY BACK AT THE 11 INCH BREAKOFF POINT. THERE IS NO EVIDENCE OF FIRE OR SMOKE DAMAGE.

Dennis Santiago IAM
10/19/96

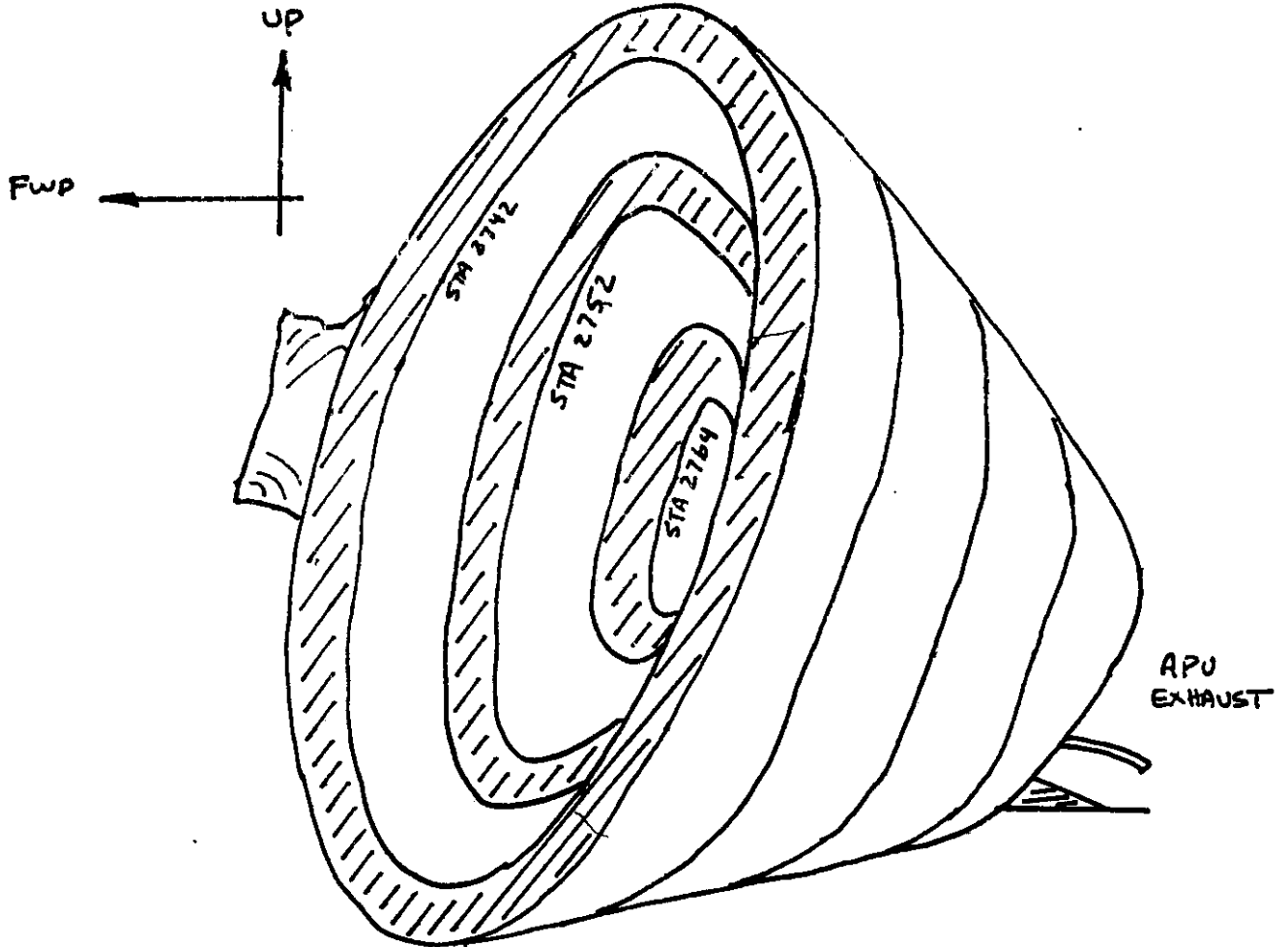
Bob Wondolowski
TWA 10/12/96

TODINO
FAA
9-1-96

Jim Powers
11-11-96
Boeing

SECTION OF TAILCONE

RF-55A C-1067 (GREEN)



LH

CUTOUT FOR
HORIZONTAL STABILIZER
S-17A
S-13A
S-9A
S-15A
S-16A
S-17A

54
55
56
57
58
59
60
61
62
63
64

STA 2644.19
STA 2647.52
STA 2650.85
STA 2654.18
STA 2657.51
STA 2660.84
STA 2664.17
STA 2667.50
STA 2670.83
STA 2674.16
STA 2677.49
STA 2680.82
STA 2684.15
STA 2687.48
STA 2690.81
STA 2694.14
STA 2697.47
STA 2700.80
STA 2704.13
STA 2707.46
STA 2710.79
STA 2714.12
STA 2717.45
STA 2720.78
STA 2724.11
STA 2727.44
STA 2730.77
STA 2734.10
STA 2737.43
STA 2740.76
STA 2744.09
STA 2747.42
STA 2750.75

2502
25125
25175

CUTOUT FOR
HORIZONTAL STABILIZER
S-17A
S-13A
S-9A
S-15A
S-16A
S-17A

CUTOUT FOR
HORIZONTAL STABILIZER
S-17A
S-13A
S-9A
S-15A
S-16A
S-17A

APU ACCESS DOORS

A =
TRG
C1067

R/H

RFS

STA 2692

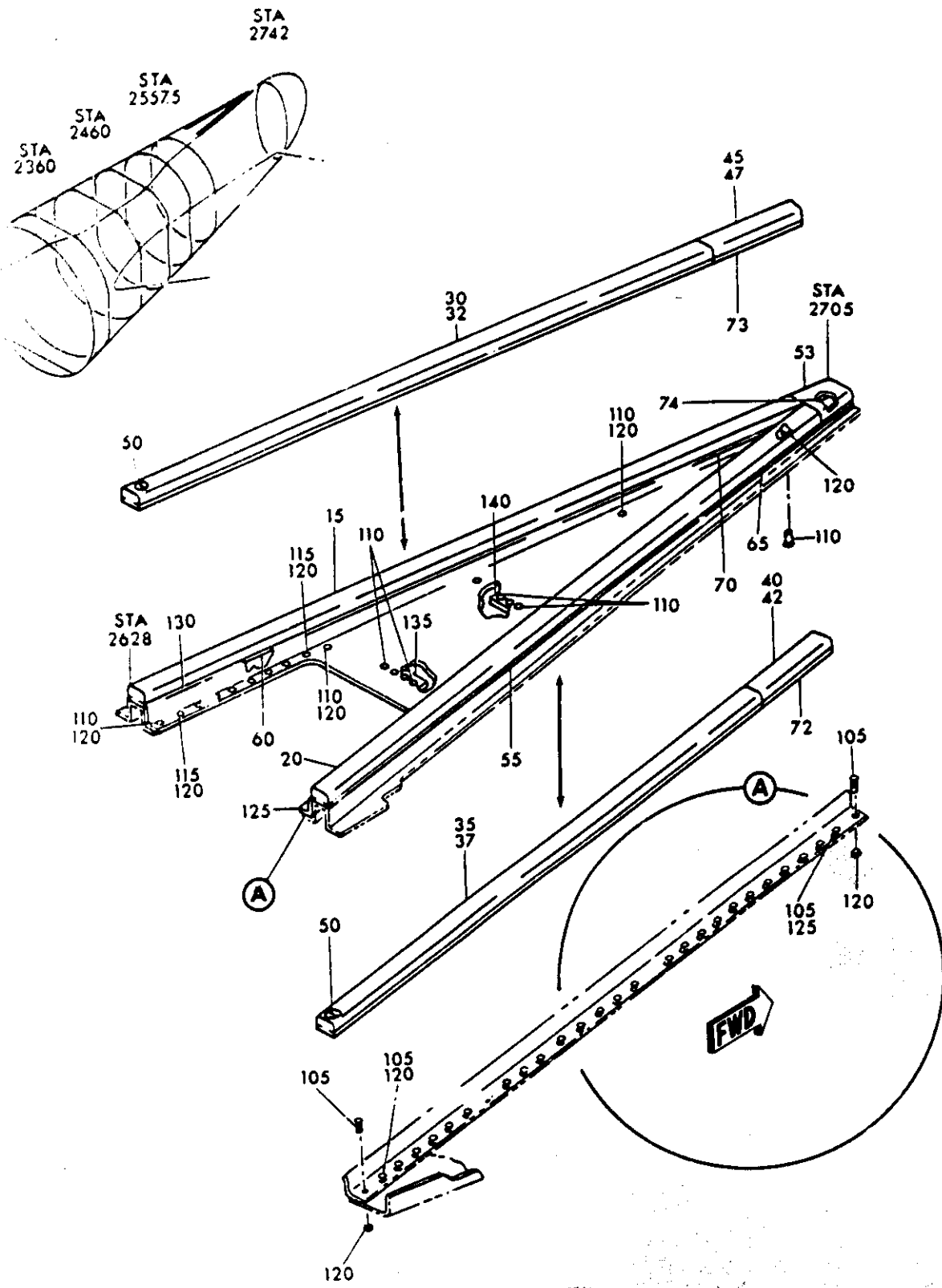
STA 2618

STA 2692

STA

STA 2658

STA 2618



FAIRING INSTL - AERODYNAMIC SEAL
 SHIELD INSTL - FIRE HEAT
 FIGURE 1