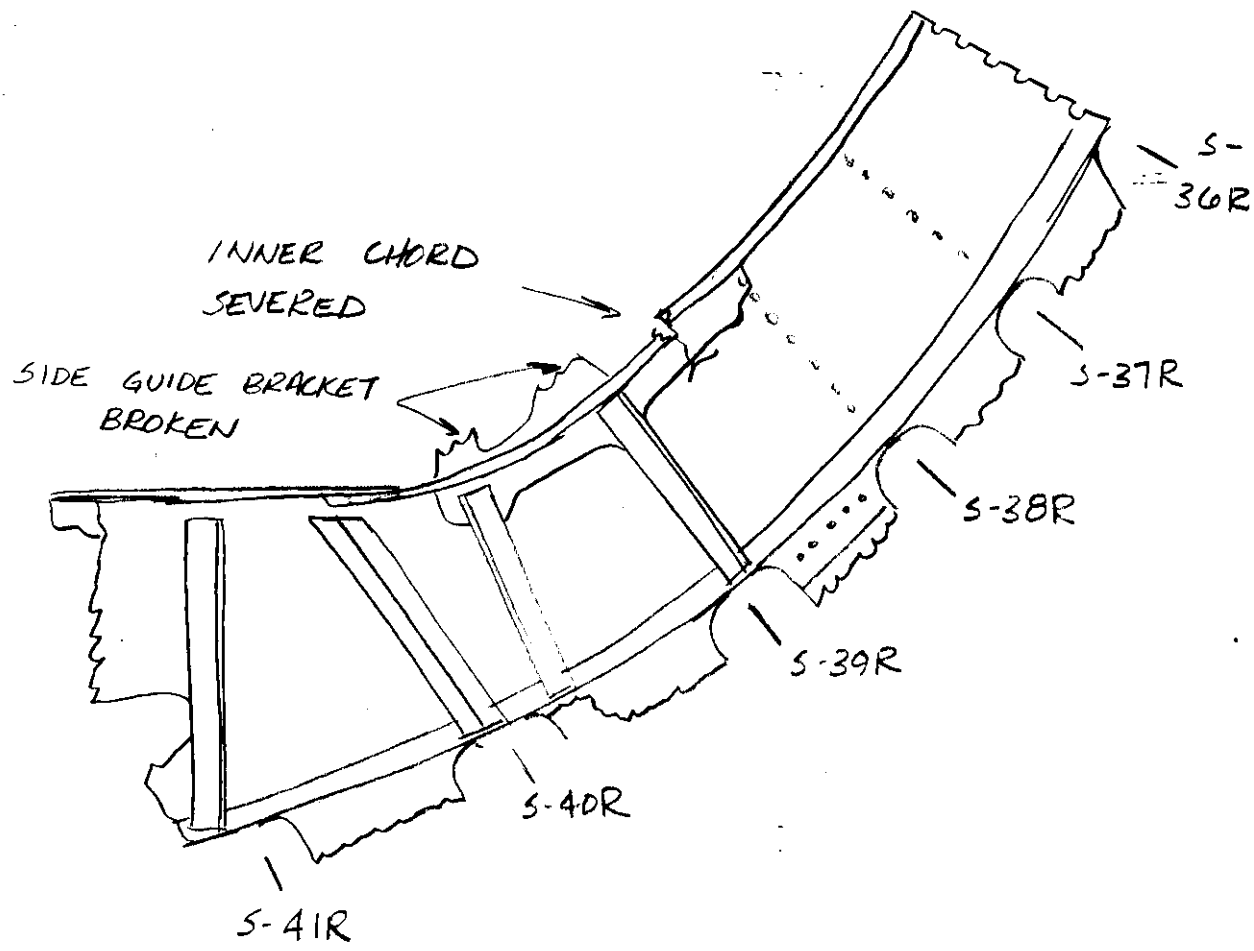


LOG # RF170
 TAG # X4084
 COORD: LAT _____
 LONG _____

STA 920 FRAME SEGMENT
 STR 36R-41R

DEBRIS FIELD RED
 FBI # 2-3-97-320



- HORIZONTAL FLANGE OF FAILSAFE CHORD BROKEN OFF AT STR 38R
- HORIZONTAL FLANGE OF FAILSAFE CHORD IS BUCKLED FROM STR 37R → 40R
- STRINGER CLIP & SHEAR TIE AT STR 38R ON FWD SIDE HAVE BEEN ABRADED DOWN

Dennis Hartung IAM
 3-25-97

J. Maltz
 TWA 4-7-97
 Stephen F. Klupich SA
 FAA 04-04-97

J.A. Reynolds
 ALPA
 4/9/97
 R. Harauer 3/24/97