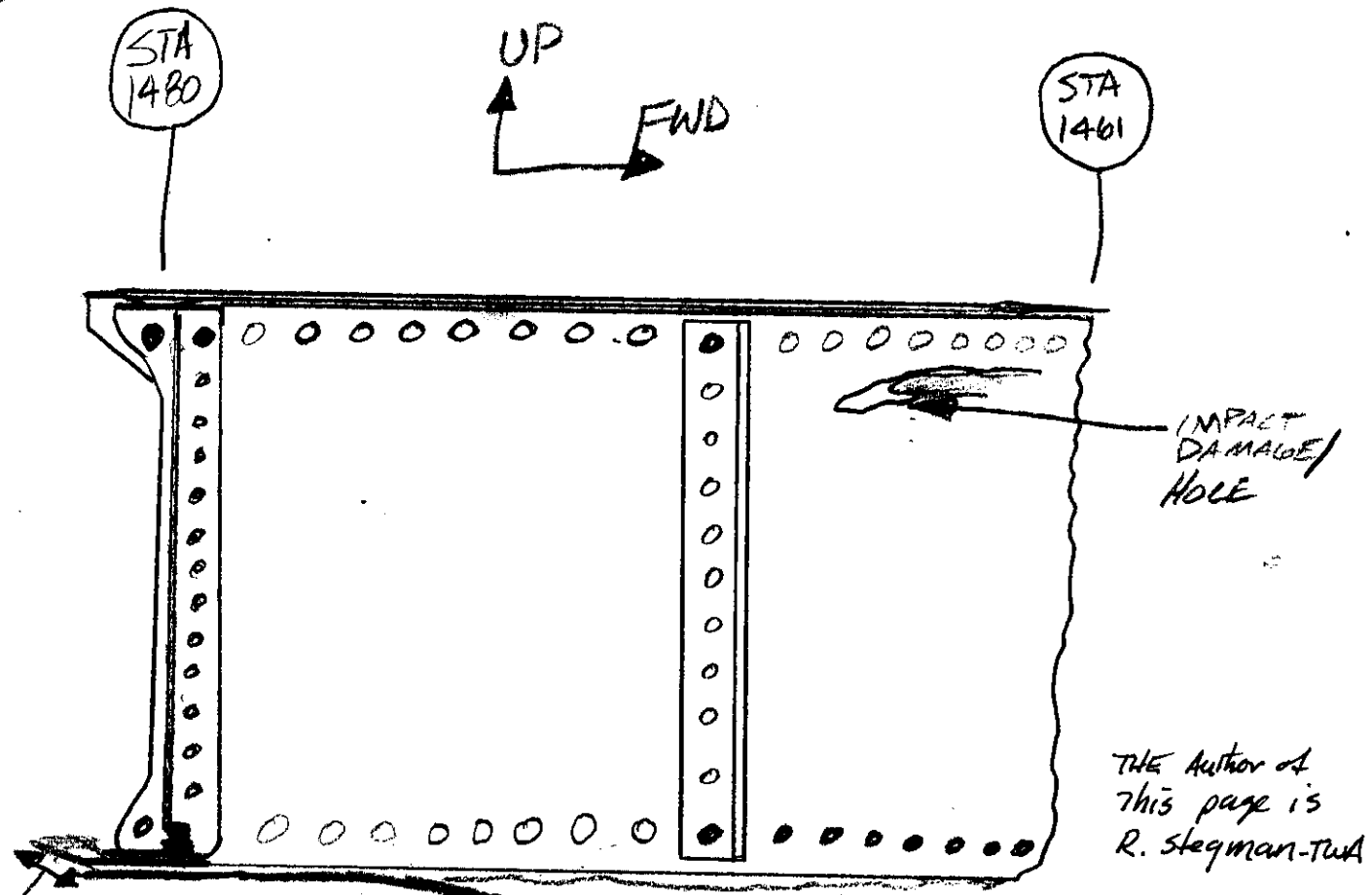


LOG # RF 140
 TARGET # CZ456
 COORD: LAT _____
 LONG _____

RF 140 CONSISTS OF PRESSURE DECK FLOOR BEAM WEB, UPPER CHORD DEBRIS FIELD GREEN LOWER CHORD WEB PORTION ATRBL 57.5 FROM BS 1461 TO 1480. A PORTION OF THE 1480 BULKHEAD UPPER CHORD FLANGE IS ATTACHED EXTENDING ABOUT 17 INCHES INBOARD. A 10" X 4" PORTION OF PRESSURE DECK IS ATTACHED FROM BS 1480 FORWARD UNDER FLOOR BEAM. LOWER CHORD IS FAILED IN RADIUS. UPPER FORWARD PORTION OF WEB HAS A 2" X 1/2" HOLE.



THE Author of this page is R. Stegman-TWA

PORTION OF 1480 BULKHEAD UPPER CHORD
 Stephen F. Klappach
 FAA -03-05-97
 PRESSURE DECK WEB
 4-6-97

R. Harauer 3/28/97 Boeing
 Dennis Santiago IAM
 3-17-97
 Leigh D. Johns -ALPA
 17 MAR 97

55

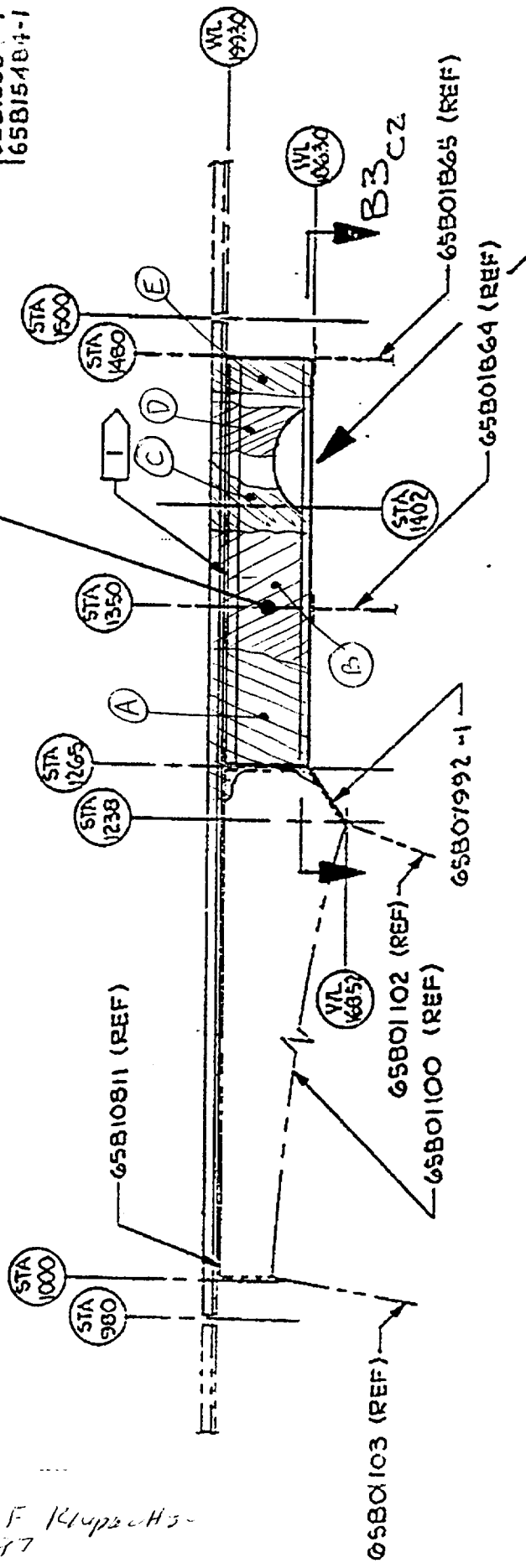
65B133

65B08268-1
 65B13353-1
 65B15483-1
 65B15485-55

65B08269-1
 65B13354-1
 65B15484-1

FOR REWORK SEE
 65B23926-1, 2
 65B23978-101 THRU 108
 -91, 92, 169, 4-170

FOR REWORK SEE
 65B23976-1, 2
 65B23978-1 THRU 12
 65B24786-1, 2, 3, 4



ITEM	LOG #
A	RF126 *
B	RF138
C	RF139
D	RF133 *
E	RF140

UP
 FWD
 SCALE: NONE

FOR REWORK SEE
 65B23976-1, 2
 65B23978-1 THRU 12
 65B24786-1, 2, 3, 4

RBL 57.5
 FLRBM

* PART OF

Stephen F. Klupach
 FAA 03-05-97