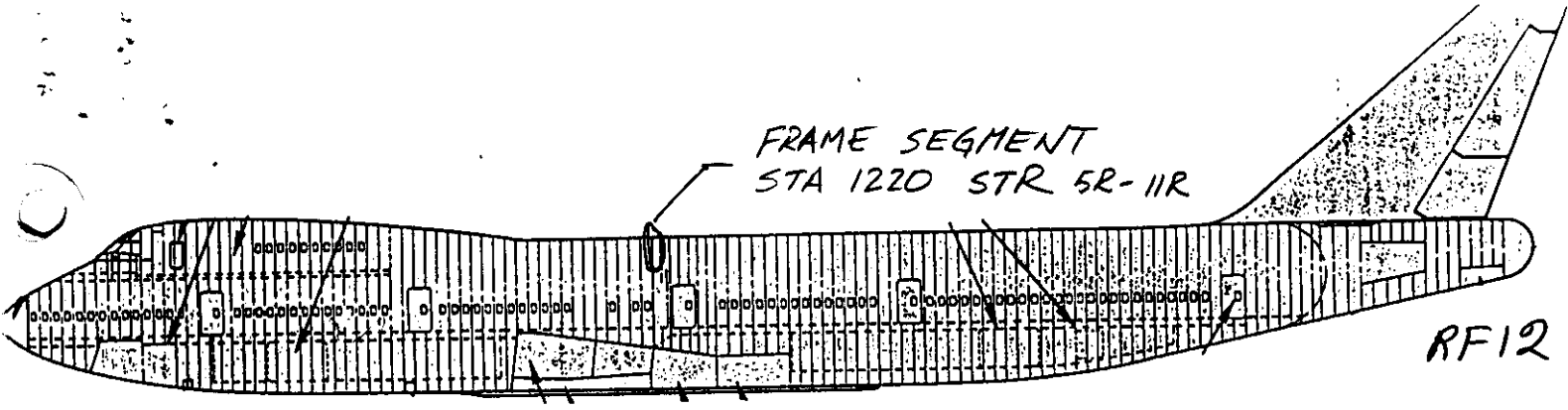




FRAME SEGMENT  
STA 1220 STR 5R-11R



RF12

P

3

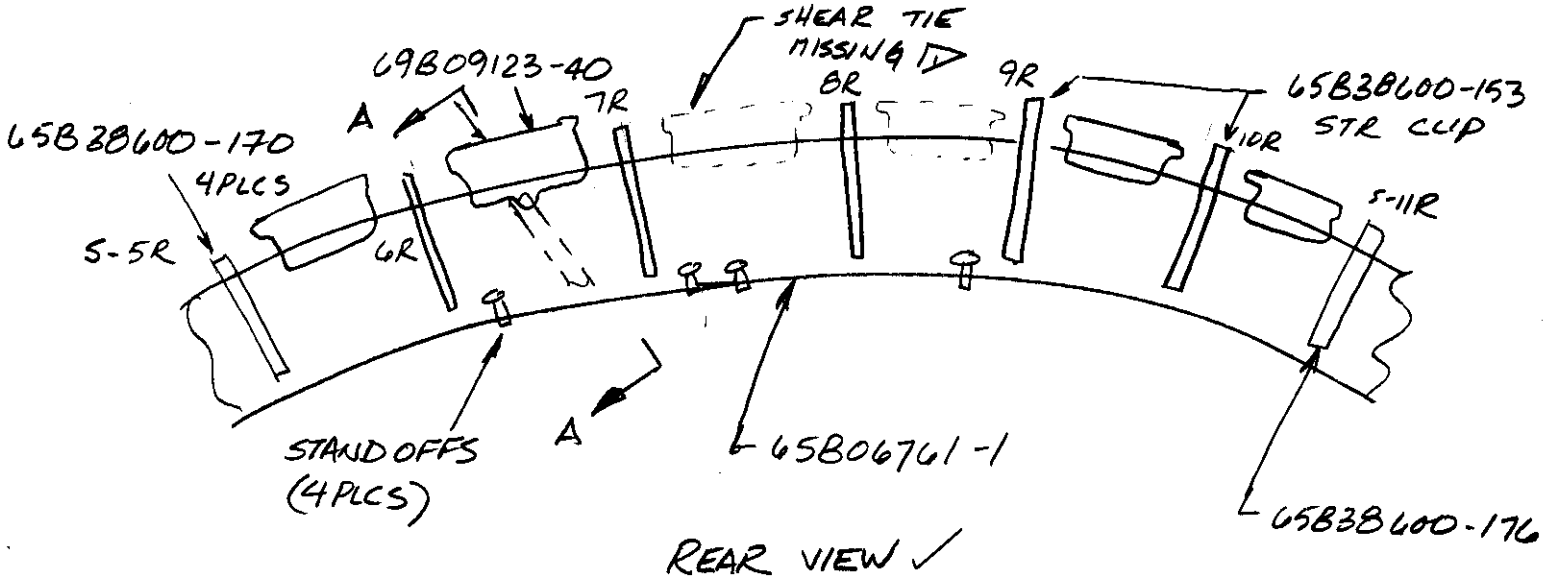
RF12

65B01754

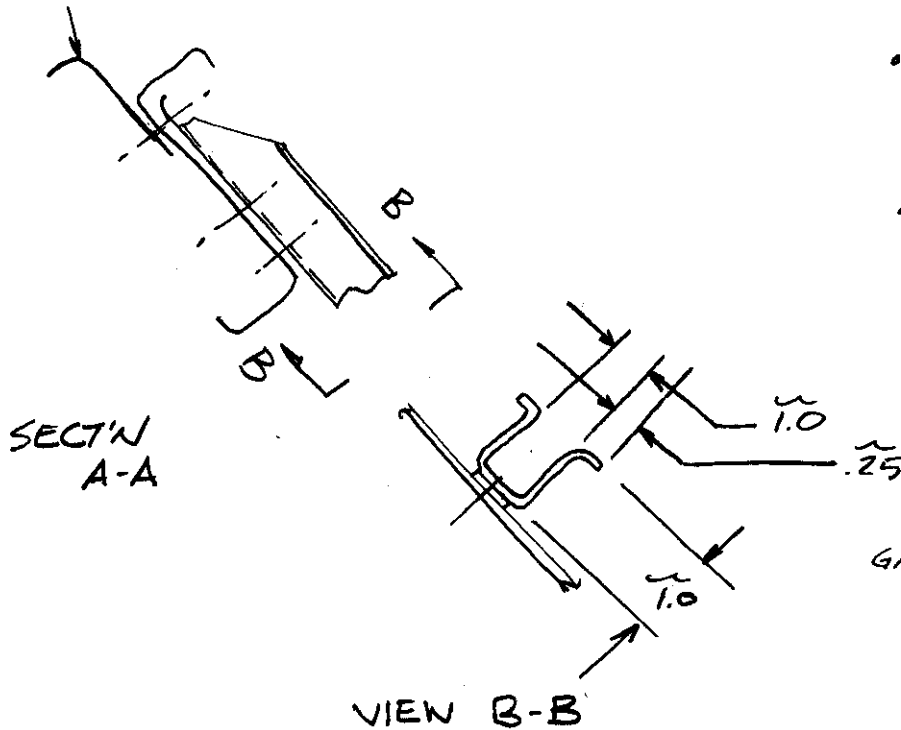
Q 153  
R0103

SUBJECT; STA 1220 FRAME SEGMENT DATED 7/19/96

ACTION; PLEASE LOCATE IN TERMS OF STR'S



65B09123-40



- STANDOFFS ON FWD SIDE OF FRAME
- PART # ONLY ON 1 SHEAR TIE

▷ FASTENERS SHEARED OFF C/T FRAME