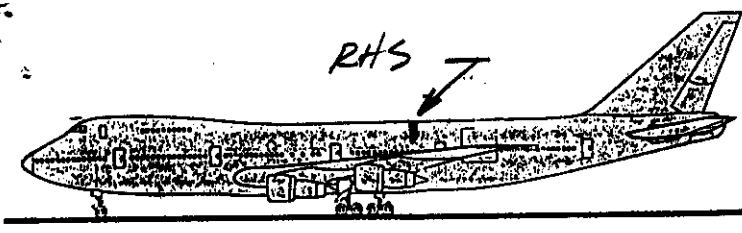


P. 8.



TAG # C2246

LOG # RF-11

TARGET # \_\_\_\_\_

COORD: LAT \_\_\_\_\_

LONG \_\_\_\_\_

DEBRIS FIELD \_\_\_\_\_

- STA 1620 FRAME SEGMENT, STR 5R-9R
- STR CLIPS SHOW SIGNS OF LATERAL DEFORMATION
- FASTENERS C/T SHEAR TIE AND SKIN PULLED THRU SHEAR TIE
- NO HEAVY SIGNS OF SOOTING, ONLY 'CLOTH ASH'

Dennis Santiago IAM  
10/13/96

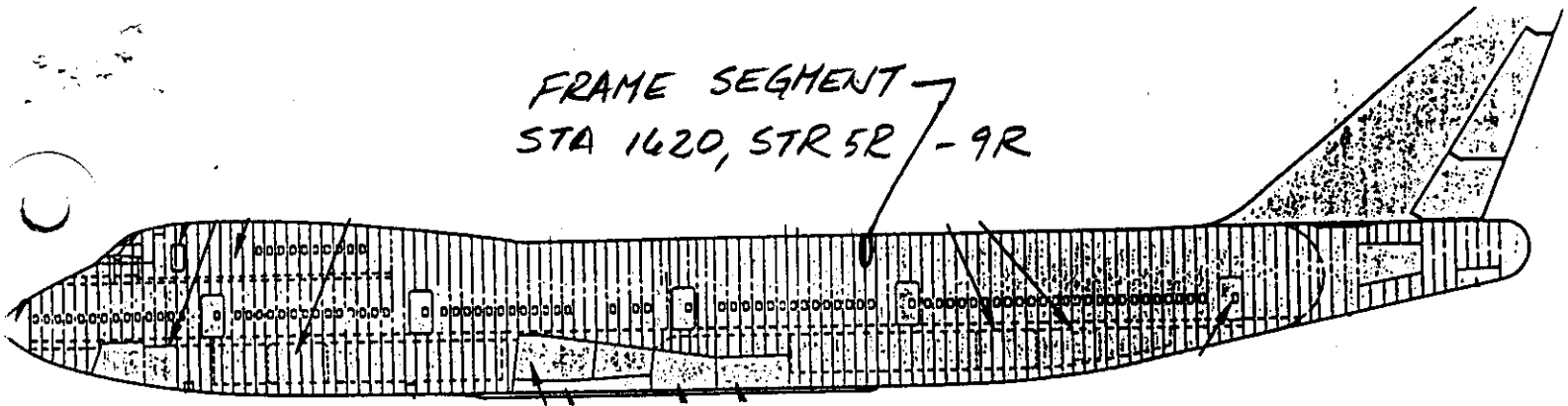
*[Signature]* TWA  
10/10/96

Tom Todino  
FAA 10-11-96

SK FAA

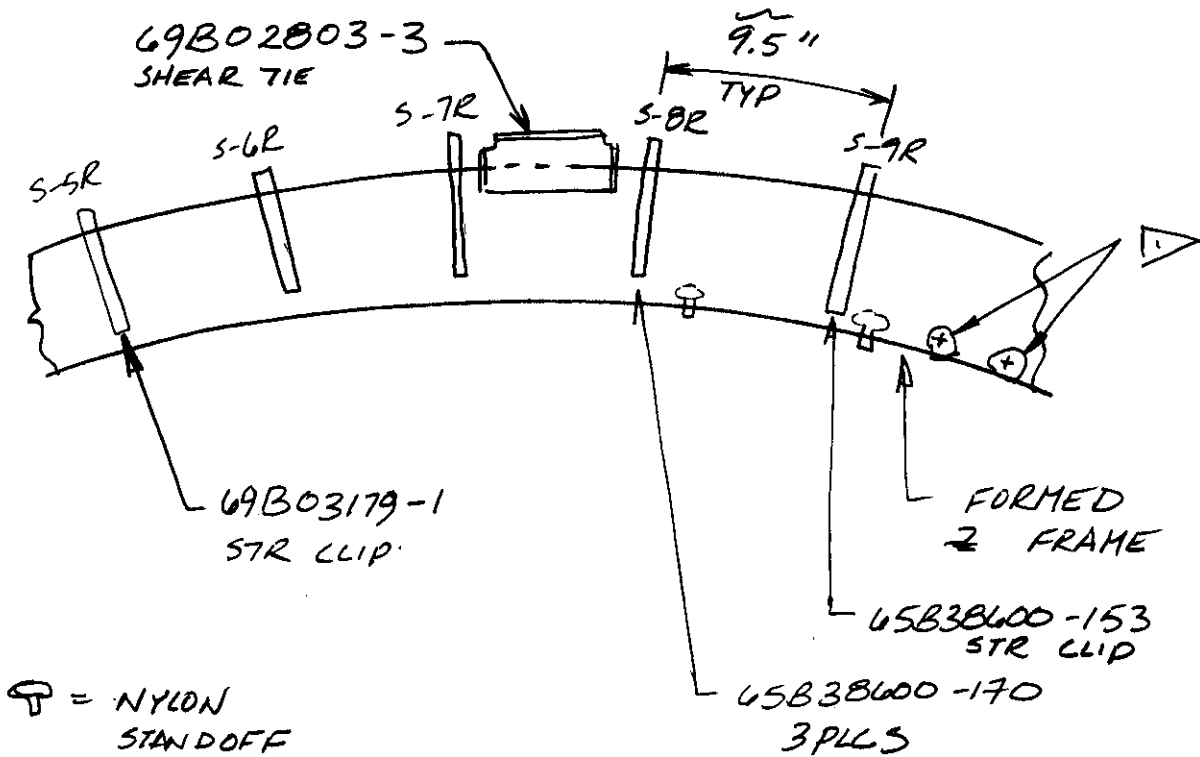
*[Signature]*  
8-2-96 2

FRAME SEGMENT  
STA 1420, STR 5R - 9R



SUBJECT; STA 1620 FRAME SEGMENT, DATED 7/19/96

ACTION; PLEASE LOCATE IN TERMS OF STR'S



▷ REMNANTS OF THIN SHEET METAL PART ATTACHED HERE WITH 'FABRIC' FABRIC PART# = 65B41074-3

P.S. • OUR PHONE #S HERE = 516-369-5190  
-5342

• WE MAY BE GETTING REDARS