

## Right Body Gear Doors

Log Number LG9  
Debris Field Green  
Target Numbers Z3328, Z2746, Z3064, Z3355

Coordinates:

Latitude \_\_\_\_\_  
Longitude \_\_\_\_\_

*Outboard Forward Door (Z3328)*

Outboard hinges attached to fuselage structure which is approximately 17 inches circumferentially x 130 inches fore-aft.

Outer skin dented and cracked along leading edge of dent adjacent to second rib aft of leading edge.

Rod failed 1.5 inches from door fitting.

Structure has minor surface abrasions. No visible indication of soot.

*Inboard Forward Door (Z2746)*

Inner skin has cracking and a dent as shown on illustration.

Outboard hinges failed.

Inboard and outboard sections of leading edge door seals not attached.

Rod not attached.

Structure has minor surface abrasions. No visible signs of soot.

*Inboard Aft Door (aft segment Z3064, forward segment Z3355)*

Numerous punctures, cracks, and skin flapping exists. See illustration.

Aft hinge location has fuselage fitting attached.

Second hinge forward failed.

Third hinge forward is attached to outer skin.

Aft segment of door is separate from forward segment.

A mangled segment of forward edge approximately eleven inches by four inches is not attached.

Structure has minor surface abrasions. No visible indication of soot.

*Outboard Aft Door*

Not attached to door assembly. Door has not been identified.

TWA - REPHLD

11-20-96

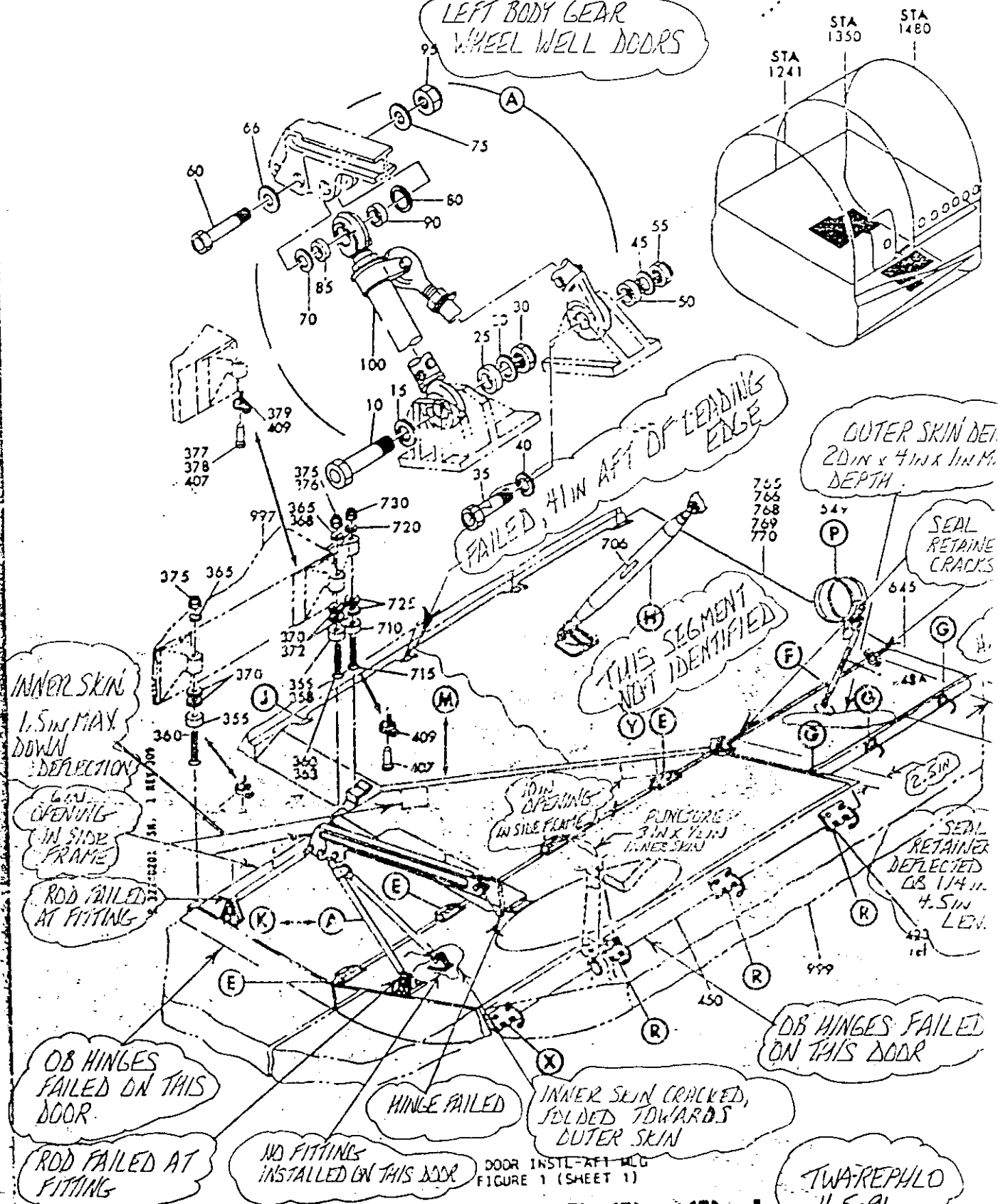
Stephen F. Klupachon FAA 12-06-96

R. Beachitt 12-6-96 IAM

D. Outh 12/18/96 BOEING

SD GREEN ALI 01-20-87

LEFT BODY GEAR WHEEL WELL DOORS



INNER SKIN  
1.5 IN MAX.  
DOWN  
DEFLECTION

GAP  
OPENING  
IN SIDE  
FRAME

ROD FAILED  
AT FITTING

DB HINGES  
FAILED ON THIS  
DOOR

ROD FAILED AT  
FITTING

NO FITTINGS  
INSTALLED ON THIS DOOR

HINGE FAILED

INNER SKIN CRACKED,  
SOLDED TOWARDS  
OUTER SKIN

DB HINGES FAILED  
ON THIS DOOR

4 IN AFT OF LEADING  
EDGE  
FAILED

THIS SEGMENT  
NOT IDENTIFIED

1 1/2 IN.  
OPENING  
IN SIDE FRAME

PUNCTURE  
3 IN X 1/4 IN  
INNER SKIN

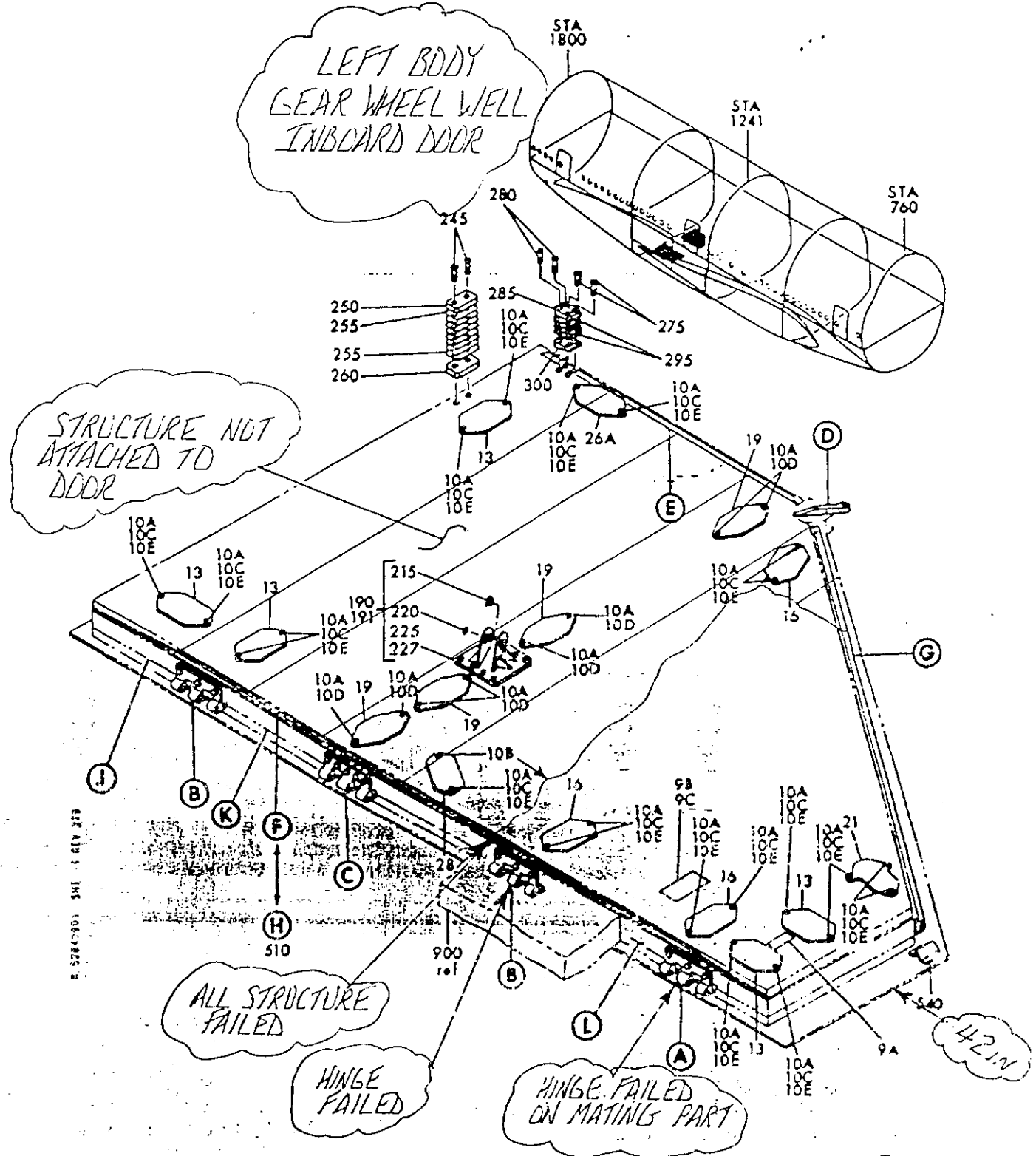
OUTER SKIN DEF.  
2.0 IN x 4 IN x 1/4 IN.  
DEPTH

SEAL  
RETAINER  
CRACKS

SEAL  
RETAINER  
DEFLECTED  
DB 1/4 IN  
4.5 IN  
LEN.

DOOR INSTL - AFT BLDG  
FIGURE 1 (SHEET 1)

TWA-REPHLO  
11-5-96



52-84-09-01 SHEET 1 REV 379

ALL STRUCTURE FAILED

HINGE FAILED

HINGE FAILED ON MATING PART

4 1/2 IN

TWA-REPHLD  
11-7-96

DOOR ASSY-AFT MLG INBD  
FIGURE 1 (SHEET 1)