

Left Body Gear Doors

Log Number LG8
Debris Field Green
Target Numbers C849, Z3071, Z3269, Z3273
Coordinates: Latitude _____
Longitude _____

Outboard Forward Door (Z3071)

Outboard hinges failed.

Inner skin has punctures, cracks, and flapping as shown on illustration.

Rod failed at door fitting.

Structure has minor surfaces abrasions. No visible indication of soot.

Inboard Forward Door (Z3673)

Inboard frame has failed at hinge locations. Hinges tore from door assembly.

Outboard hinges failed.

Leading edge door seal not attached to door assembly.

Rod not attached.

Forward transverse inner skin stiffener outboard 24 inches of vertical flange not attached.

Inboard Aft Door (Z3269)

Forward segment of door exists. Aft segment is not attached and not identified.

Forward segment separated approximately forty-one inches aft of leading edge.

Fuselage hinge failed at forward hinge location.

The second door hinge aft failed.

Structure has minor surface abrasions. No visible indication of soot.

Outboard Aft Door (C849)

Outer skin dented as shown on illustration and torn downward from top approximately twelve inches.

Hinges are failed.

Approximately three inches of rod are attached.

Seal retainer has areas of cracking and deflection as shown on illustration.

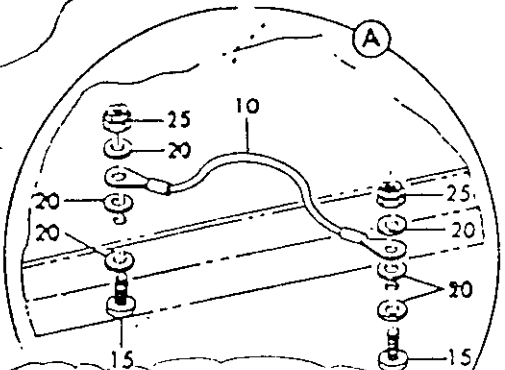
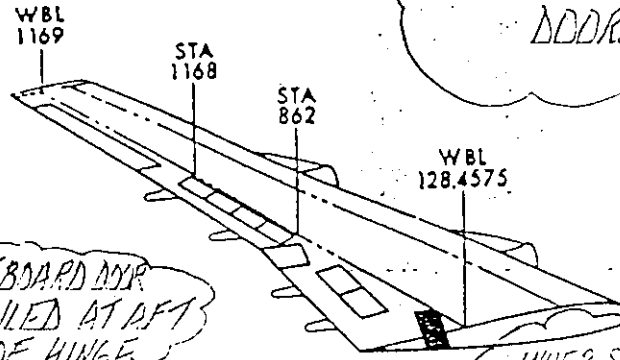
Structure has minor surface abrasions. No visible indication of soot.

W. K. Kipachon 12-2-96 TWA
Stephen F. Kipachon FAA 12-06-96

R. Brachitt IAM 12-6-96
D. Britts BOEING 12/18/96

S. J. GREEN
ALFA
01-20-97

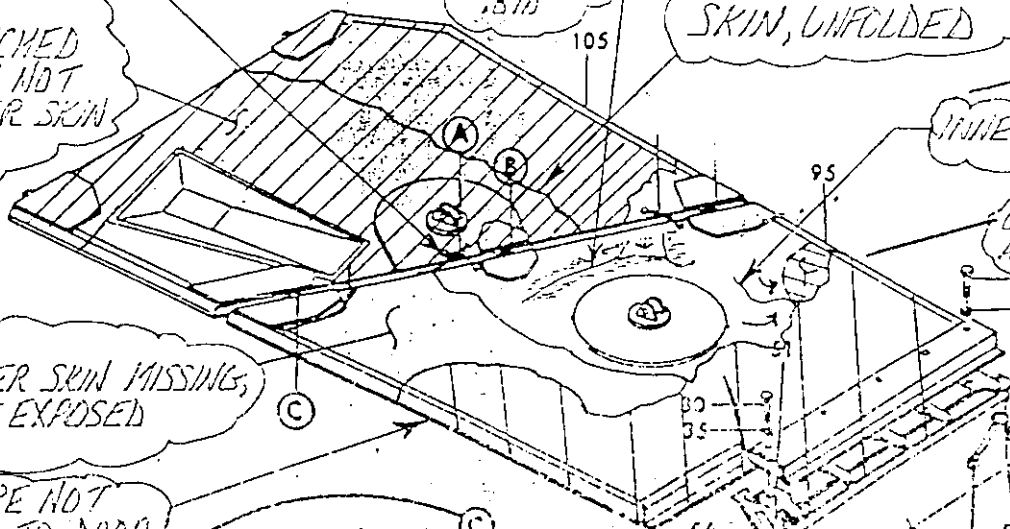
LEFT WING GEAR DOORS



OUTBOARD DOOR BEHM FAILED AT AFT EDGE OF HINGE FITTING
CROSS HATCHED AREA DOES NOT HAVE INNER SKIN OR CORE

INNER SKIN CREASED BY 1.311

FWD EDGE OF OUTER SKIN, UNFOLDED

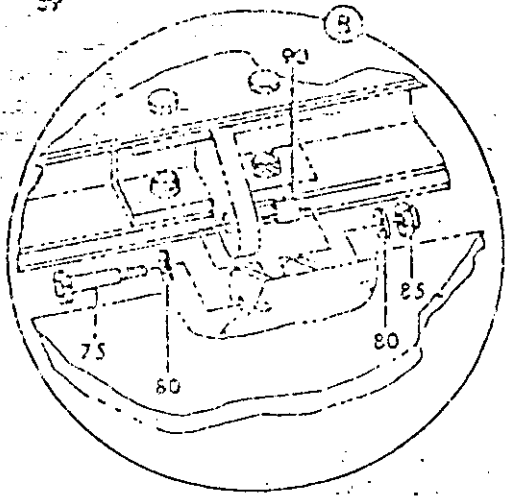
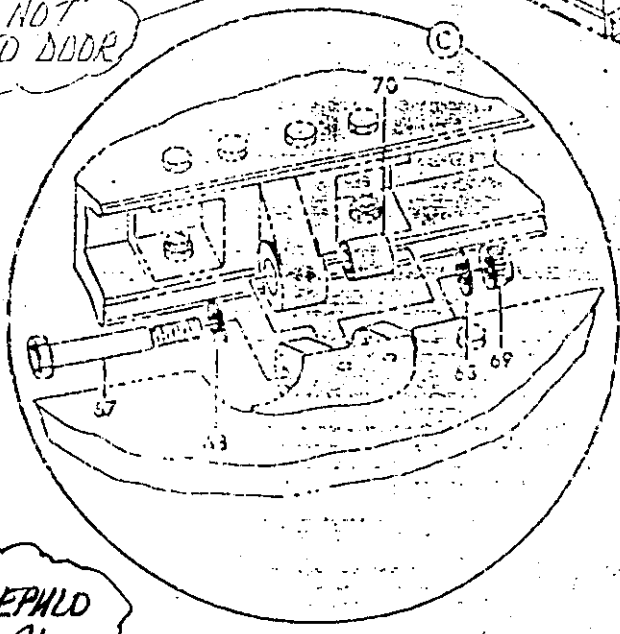


INNER SKIN CRACK

OUTER SKIN NOT ATTACHED

INNER SKIN MISSING, CORE EXPOSED

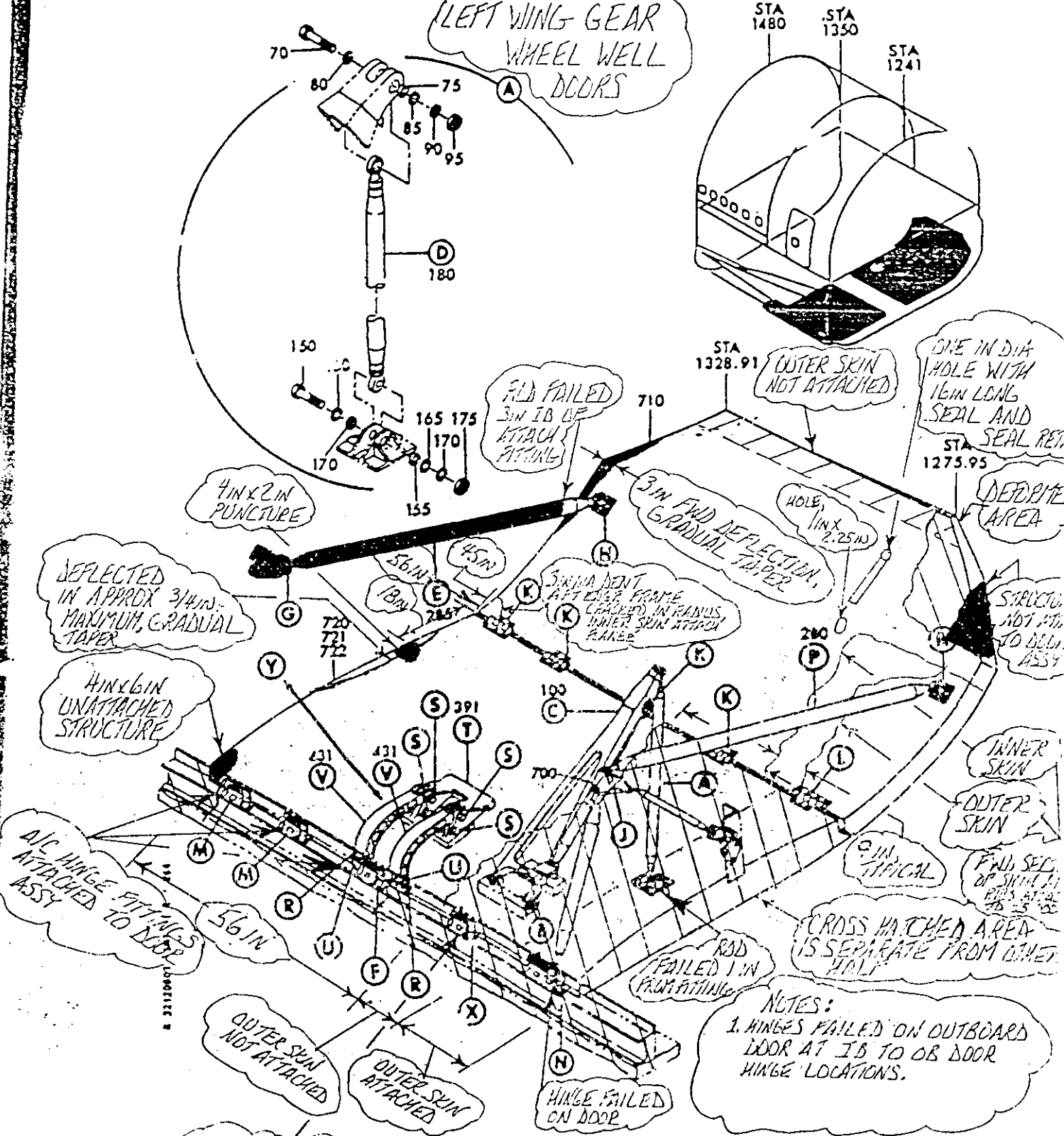
STRUCTURE NOT ATTACHED TO DOOR ASSY



TWA-REPHLD
11-20-96

DOOR ASSY-WING LANDING GEAR
FIGURE 1

LEFT WING GEAR WHEEL WELL DOORS



DOOR INSTL-FWD MLG (LH)
FIGURE 1 (SHEET 1)

TW-REPHLD
11-5-96

32-12-06-01