

LOG # LF37 ^{SR/5} ^{RR 10-7-96} ^{A-5}

TARGET # _____

COORD: LAT _____

LONG _____

DEBRIS FIELD # 3 red
(near)

REFER FIRE AND EXPLOSION GROUP NOTES FOR FIRE DAMAGE

Portions of STA 800 Lower lobe Frame.

Segment (A)

Red Tag # A619

Segment from S-35L to S-43L. Retains original contour. Two shear tie flanges are broken free, all others intact.

One aft direction puncture in deep web portion above S-42L.

There is no evidence of fire damage or sooting.

Neil Scovell
TWA-10-10-96

S. Chisholm
8/15/96

Segment (B)

Red Tag # A182

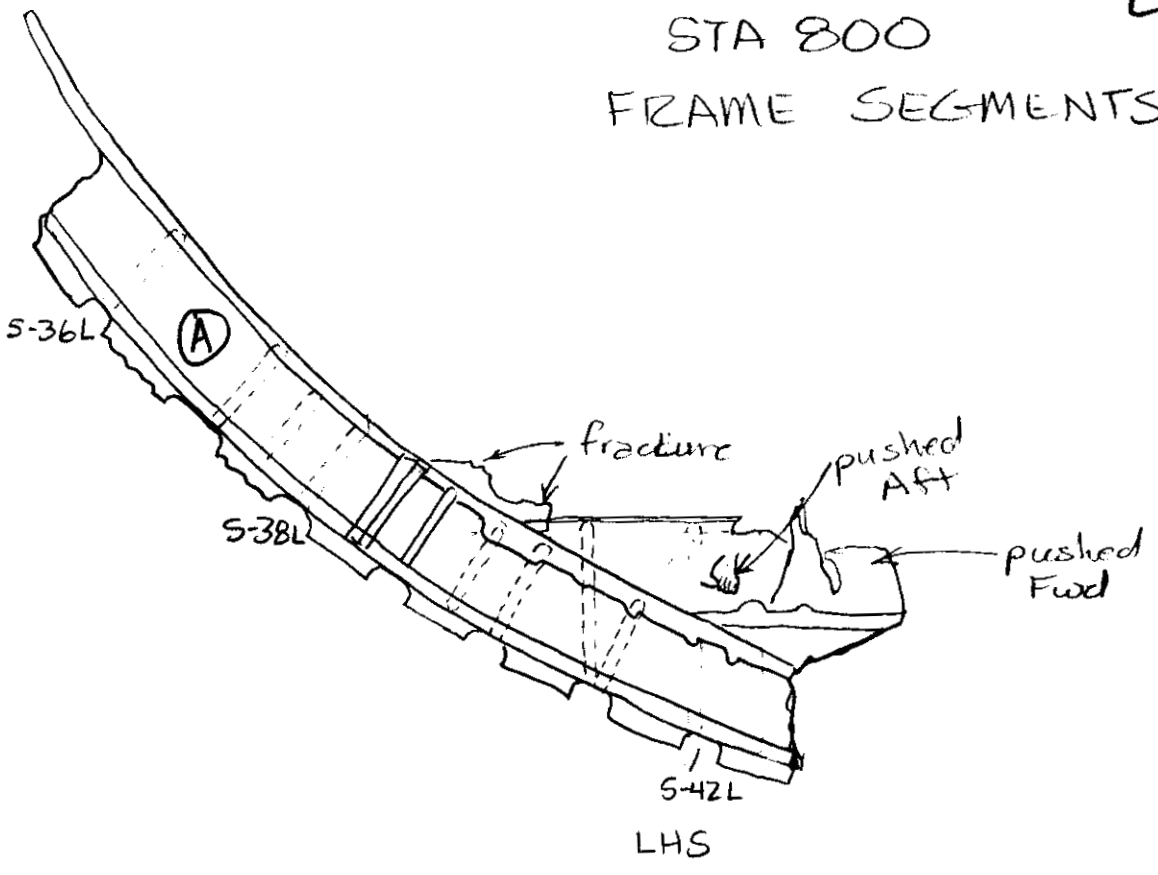
Segment from S-36R to S-45R. Retains original contour. One shear tie flange broken free at radius.

There is no evidence of fire damage or sooting.

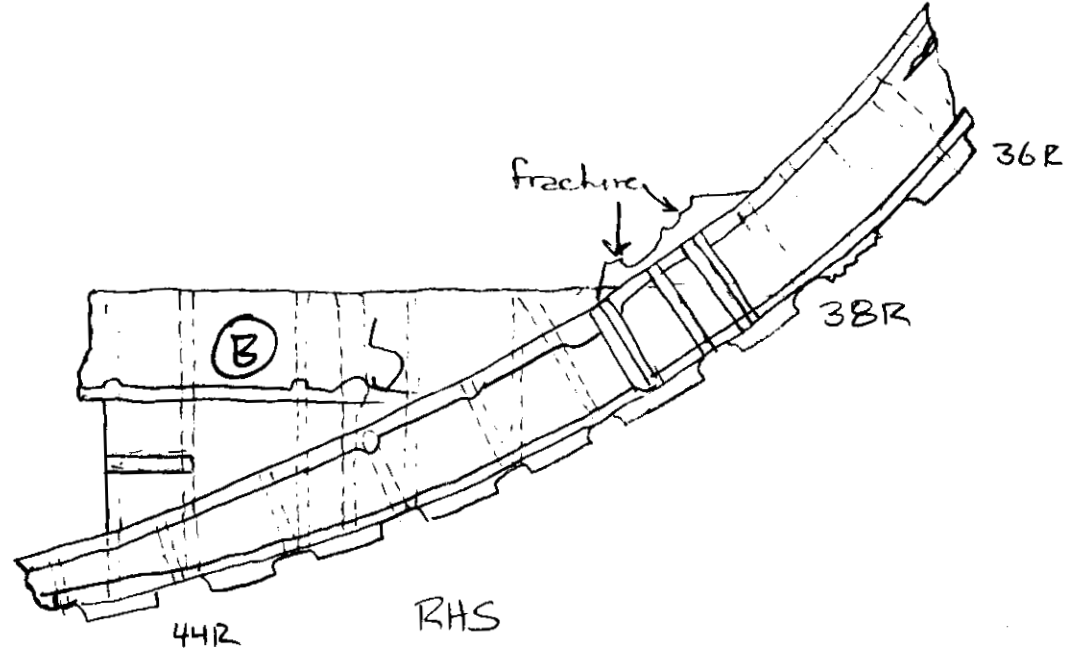
Neil Scovell
TWA-10-10-96

S. Chisholm
8/15/96

STA 800
FRAME SEGMENTS



VIEW LOOKING FWD



VIEW LOOKING FWD

Yan Zou PMA
10-22-96 2