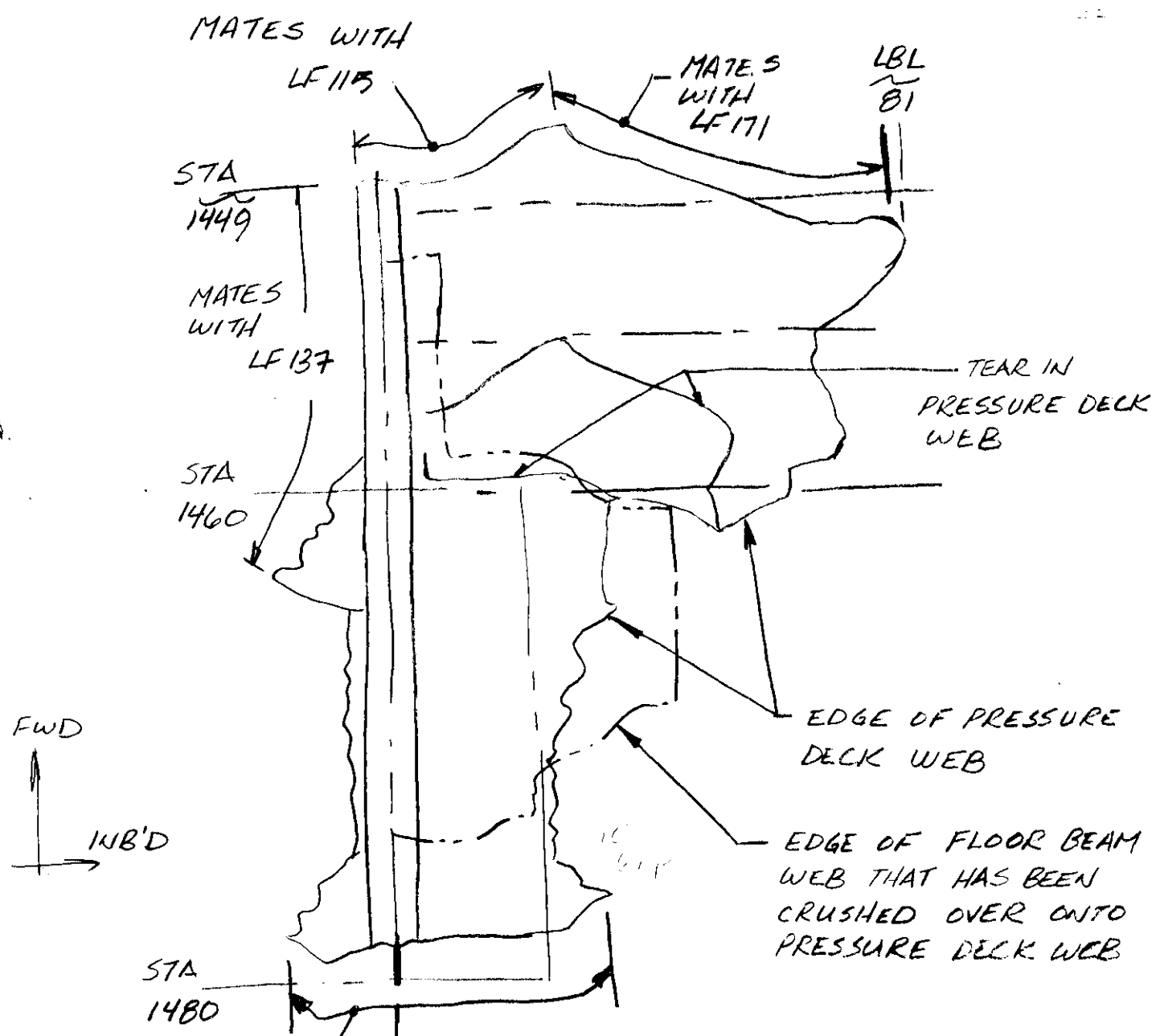


LOG # LF185  
 TAG # D2152  
 COORD: LAT \_\_\_\_\_  
 LONG \_\_\_\_\_

PRESSURE DECK SEGMENT  
 STA 1449 - 1480  
 LBL 98.58 - LBL 81

DEBRIS FIELD UNKNOWN  
 FBI# - 8-24-96-7

NO OBVIOUS SIGN OF FIRE NOR SOOT DAMAGE



Tom Tudino FAA 3/20/97  
 Leigh Johnson - ALPA 3-22-97  
 R. Harauer 3/20/97  
 Demierlerting JAM 3-25-97  
 Bhandari TWA 3/21/97

