

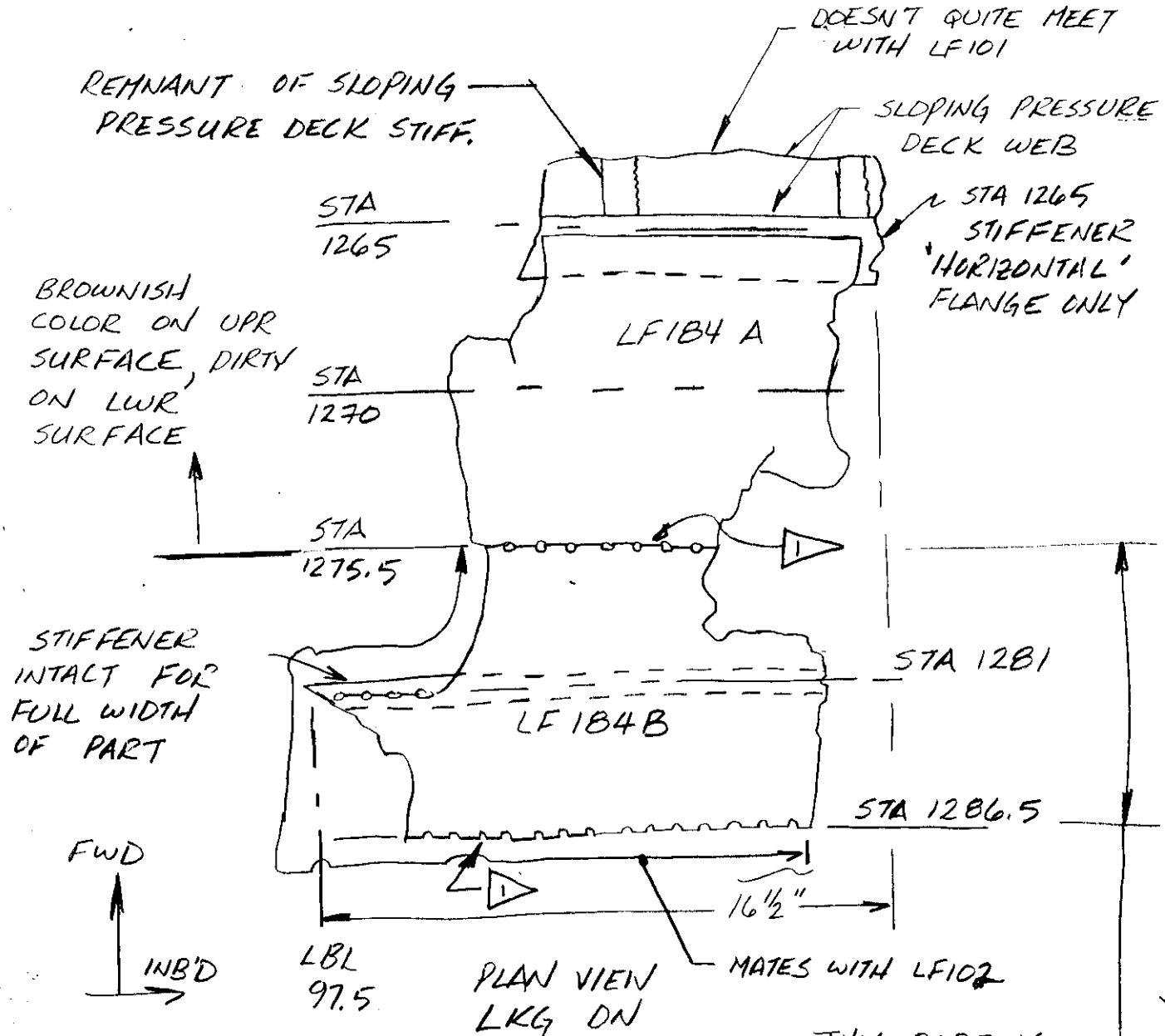
LOG # LF184 A & B
 TAG# A D2151
 TARGET # B 22918

COORD: LAT _____
 LONG _____

PRESSURE DECK
 STA 1262-1286.5
 LBL 97.5 → 97

DEBRIS FIELD
 FBI# A = 9-28-96-1
 B = 9-19-96-1

A UNKNOWN
 B GREEN



Dennis Santiago IAM
 3-25-97

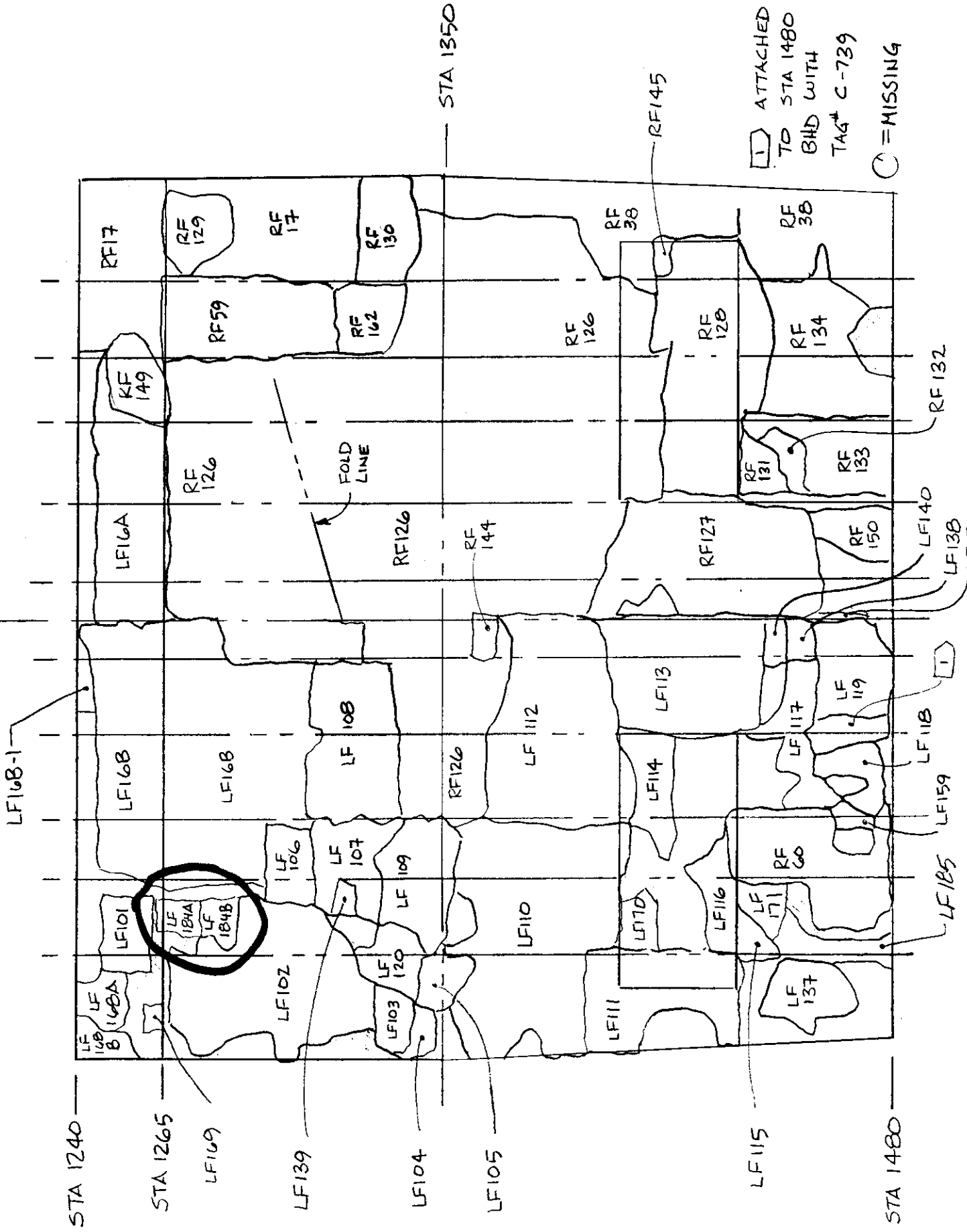
1 NO STIFFENER PRESENT
 Tom Tudino
 FAMA 3-20-97

Brandon Hudson
 TWA 3/21/97

R. Harauer 3/20/97

THIS PART IS
 BLACKENED ON
 UPR SURFACE,
 LWR SURFACE IS
 LOCALLY BLACKENED

John D. Johnson - ALPA
 3-22-97



1 ATTACHED TO STA 1480 BHD WITH TAG# C-739
1 = MISSING

STA 1240

STA 1265

LF169

LF139

LF104

LF105

LF115

STA 1480

STA 1350

FOLD LINE

LF168-1

LF168

LF168

LF 108

LF 112

LF113

LF 119

LF140

LF138

LF101

LF 184A

LF 184B

LF 106

LF 107

LF 109

LF110

LF116

LF 171

LF 117

LF118

LF159

LF 185

LF 168 B

LF 168A

LF102

LF103

LF120

LF111

LF117

LF 170

RF 160

LF 119

RF 150

LF118

LF159

LF 185

RF17

RF 129

RF 17

RF 130

RF59

RF 162

RF 126

RF 38

RF 38

RF 149

RF 126

RF126

RF 144

RF 126

RF 120

RF 134

RF 131

RF 133

RF 132

LF16A

RF127

RF 150

LF140

LF138

LF168

LF168

LF 108

LF 112

LF113

LF 119

LF140

LF138

LF101

LF 184A

LF 184B

LF 106

LF 107

LF 109

LF110

LF116

LF 171

LF 117

LF118

LF159

LF 185

LF 168 B

LF 168A

LF102

LF103

LF120

LF111

LF117

LF 170

RF 160

LF 119

RF 150

LF118

LF159

LF 185

RF17

RF 129

RF 17

RF 130

RF59

RF 162

RF 126

RF 38

RF 38

RF 149

RF 126

RF126

RF 144

RF 126

RF 120

RF 134

RF 131

RF 133

RF 132

LF16A

RF127

RF 150

LF140

LF138

LF168

LF168

LF 108

LF 112

LF113

LF 119

LF140

LF138

LF101

LF 184A

LF 184B

LF 106

LF 107

LF 109

LF110

LF116

LF 171

LF 117

LF118

LF159

LF 185

LF 168 B

LF 168A

LF102

LF103

LF120

LF111

LF117

LF 170

RF 160

LF 119

RF 150

LF118

LF159

LF 185