

STA 34D BULKHEAD

PORTIONS OF SIDE PANELS

PORTION OF TOP PANEL

NOSE GEAR

LOG # LF-18

11746RTS

TARGET # UNKNOWN

COORD: LAT

LONG

DEBRIS FIELD

IN YELLOW

DEBRIS FIELD

PER NOAA

MAP

3001

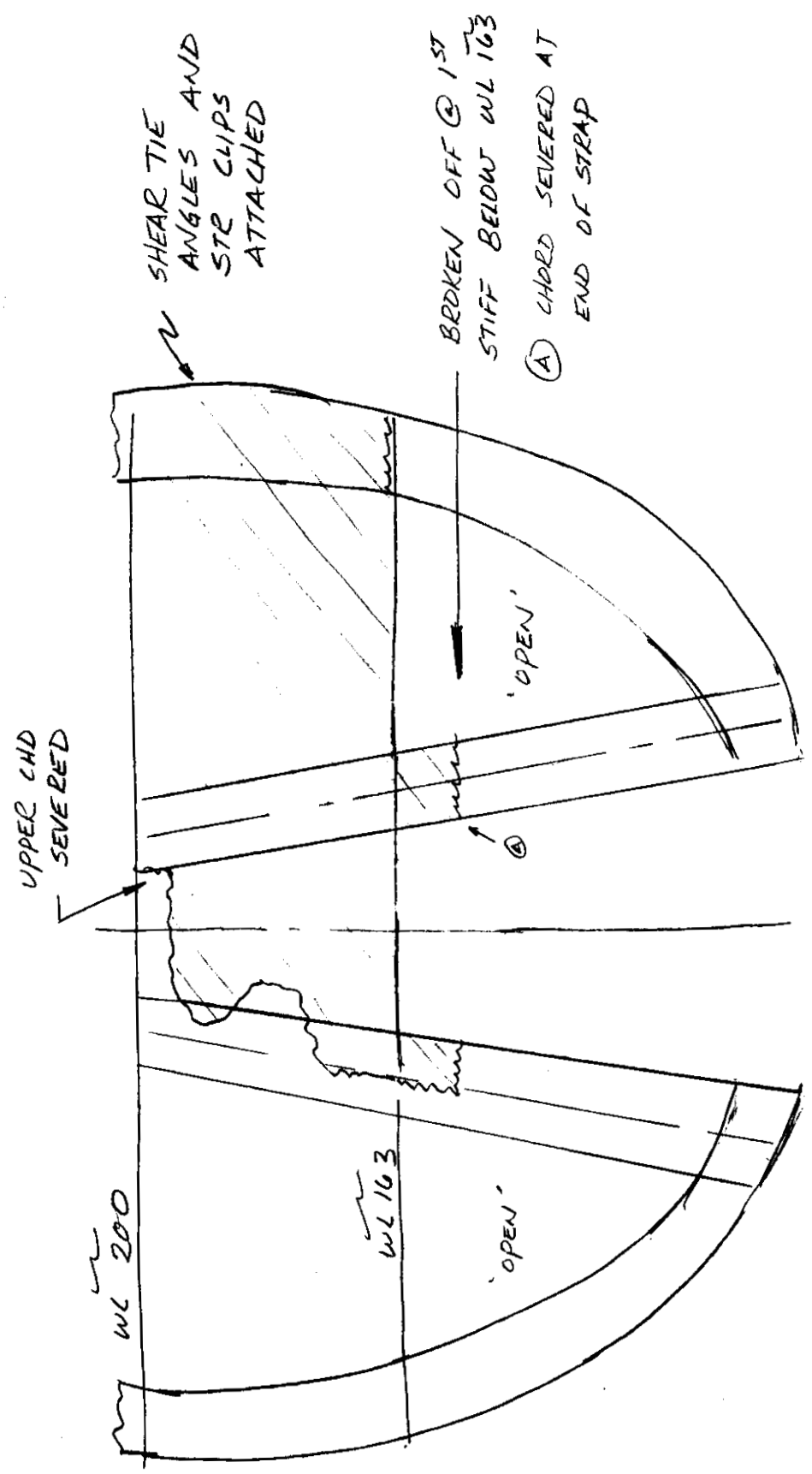
REFER FIRE AND EXPLOSION GROUP NOTES FOR FIRE DAMAGE

A. Brachetti IAM 10-25-96
TWA 10-1-96
Stephen F. Klappelt, Jr
FAA 10-21-96

☐ = PART IN HANGER

STA 340 BULKHEAD

2F18



VIEW LOOKING AFT

NO SCALE

Ryanover 7/31

Pg 2 of 3

Stephen F. Kliputson
FAA 10-21-92

3

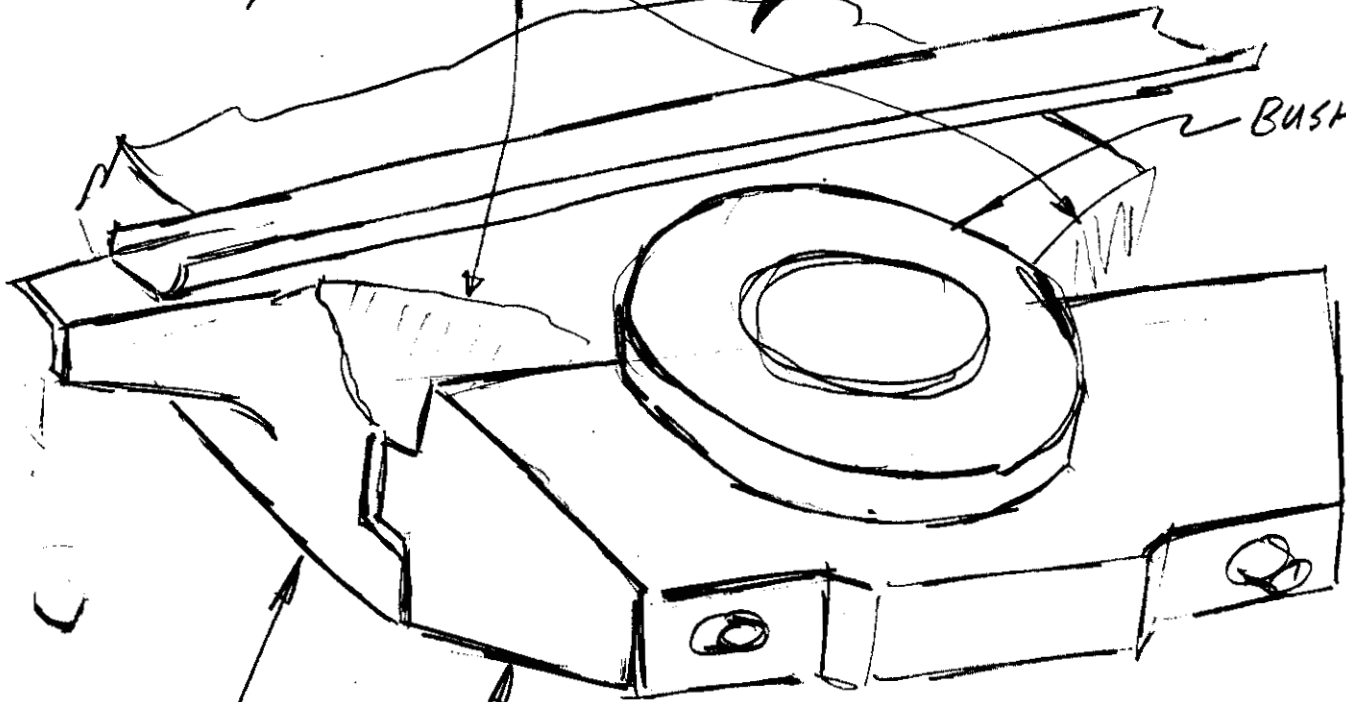
ISOMETRIC VIEW OF REACTION FTG - LHS

CHIP KNOCKED
OUT OF
REACTION
FTG

SIDE PANEL WEB

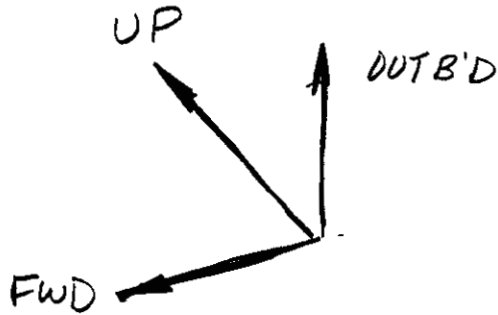
LF18

BUSHING



VERTICAL
REACTION
FTG AT
STA 390

CAP
FTG



R. Harauer