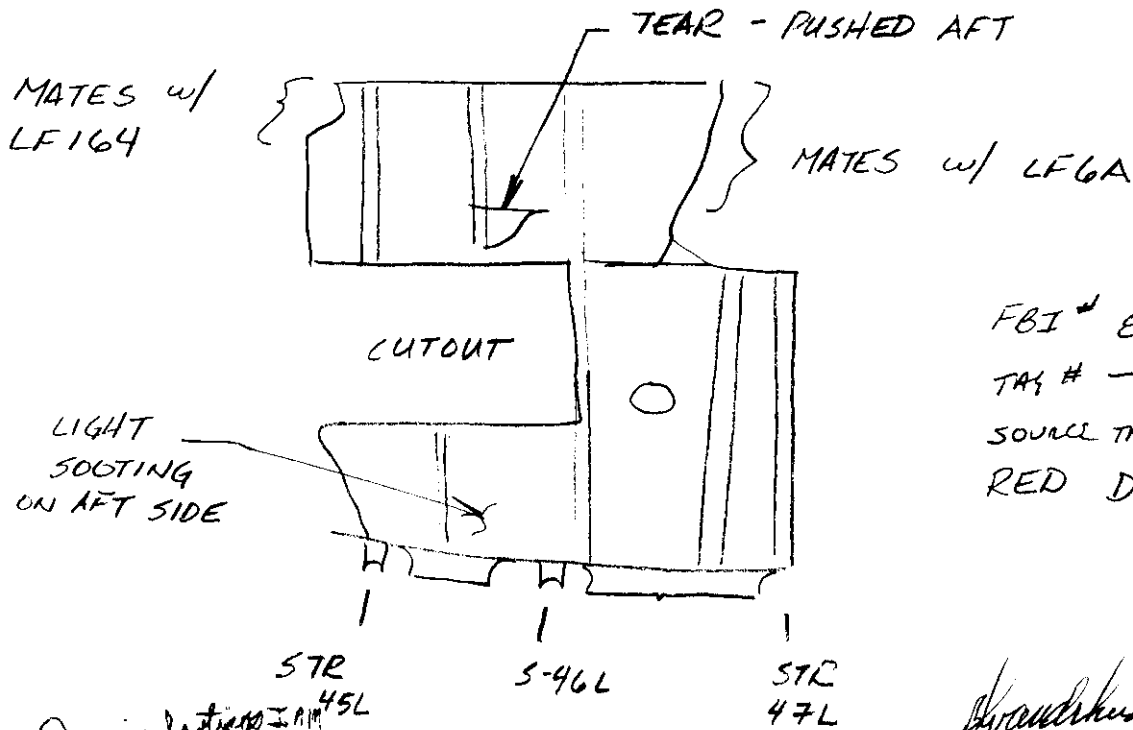


FRAME SEGMENTS - LHS

STA 940, STR 45L-47L

LF 175



FBI # 8-17-96-4  
 TAG # - A-2069  
 SOURCE TAG - A-649  
 RED DEBRIS FIELD

Dennis Santiago IAM  
 3-19-97

Tom Todaro  
 3-20-97

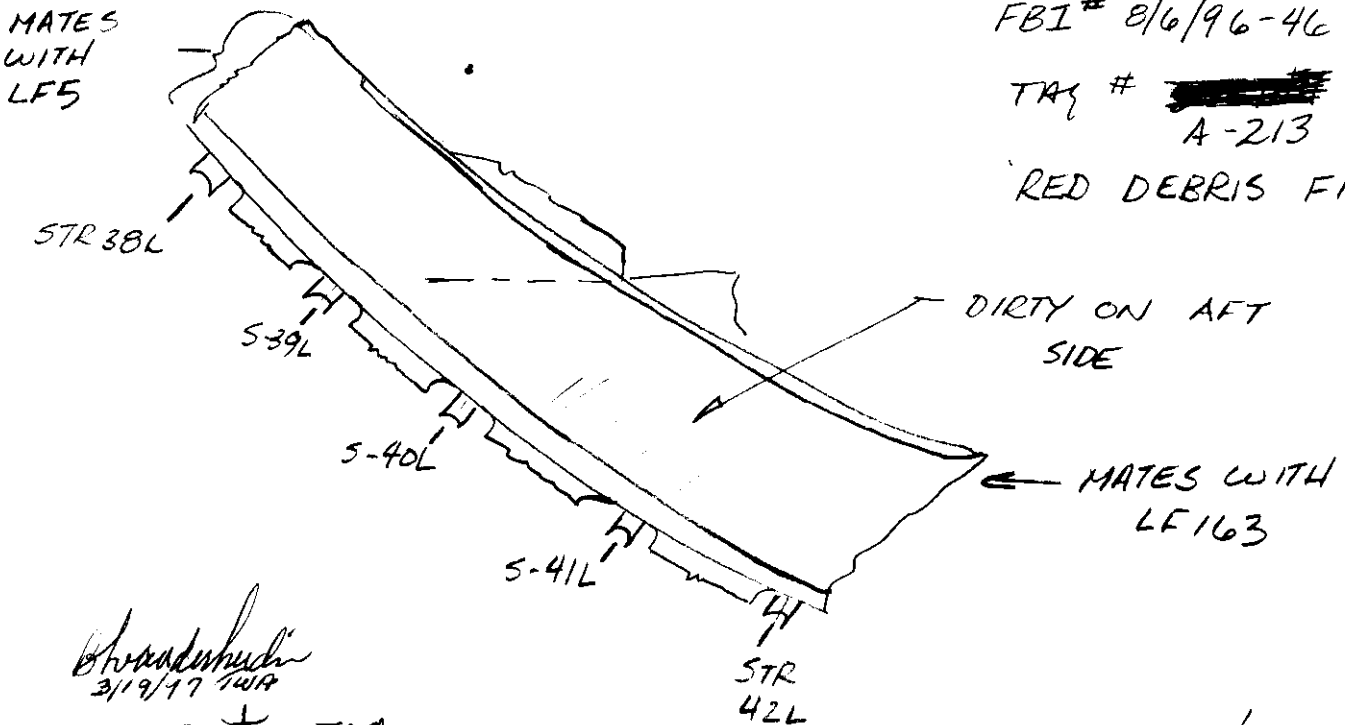
Shandhu  
 3/19/97 TWA

Jim Powers  
 BOEING  
 3-8-97

Rich D. John - ALPA  
 3-19-97

STA 840, STR 37½L - 42L

LF 176



FBI # 8/6/96-46

TAG #   
 A-213

RED DEBRIS FIELD

Shandhu  
 3/19/97 TWA

Dennis Santiago IAM  
 3-19-97

Tom Todaro  
 3/20/97

Rich D. John - ALPA  
 3-19-97

Jim Powers  
 3/17/97