

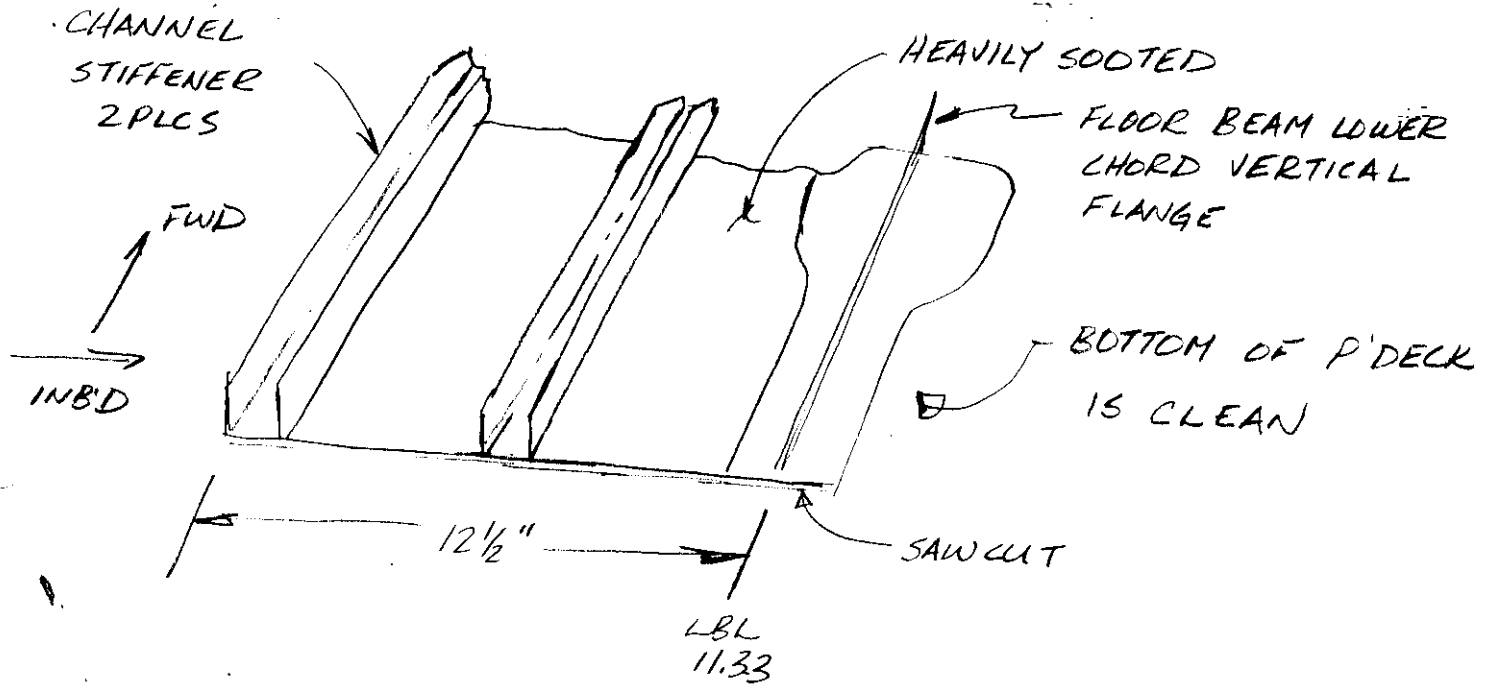


LOG # LF16B-1
 TAG C2484
 TARGET # C2136 
 COORD: LAT _____
 LONG _____

SECTION OF
 SLOPING PRESSURE
 DECK LBL 11.33 - 22.5
 STA 1240 AFT 8"

DEBRIS FIELD GREEN
 ASSOCIATED WITH TAG #
 C-109



- NO PENETRATIONS
- THIS PART WAS CUT OFF OF THE 16B PART

Brandenburg
 TWA 3/25/97

Dennis Santiago TAM
 3-26-97

V. Coe
 ALPH 3/27/97
Tom Rodino
 FAA 3-27-97

R. Harauer
 3/12/97