

LOG # LF 164

TAG
~~TARGET~~ # A029

COORD: LAT 40 38 71.9

LONG 72 39 33

DEBRIS FIELD RED

FBI # 8/3/96-85

CARGO FLOOR
STA 880 - 974
LBL 33 - 45

SEE NEXT PAGE FOR SKETCH

- PART CONSISTS OF POWER DRIVE UNIT & TIRES, CARGO TRACKS, ROLLER TRAY, STOPS, GUIDES, FLOOR & STA 960, 940, 920 & 900 FRAME SEGMENTS
- PART HAS SOME DARKENING. NOTE, BLACK TIRES & DRIVE BELT ARE COMMON TO THIS PART.
- NO PENETRATIONS

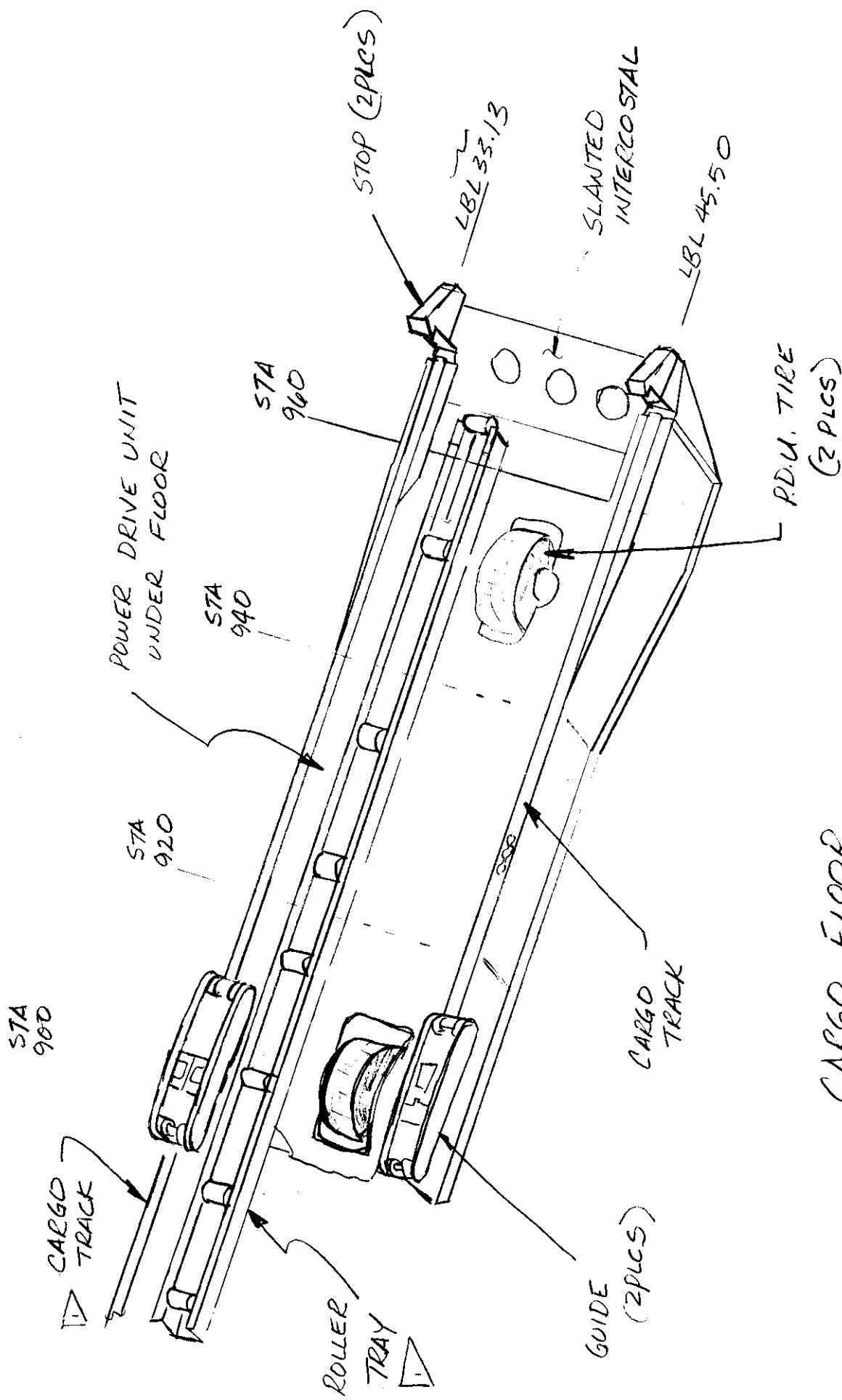
Dennis Santiago JAM
3-21-97

Tom Toline
JAM 3-21-97

Shanderhuda
JWA 3/21/97

Leigh J. Johnson - ALPA
3-22-97

R. Hanover BOEING
3/10/97



CARGO FLOOR

LF 164

▷ PARTS EXTEND APPROX
 18" FWD OF STA 900