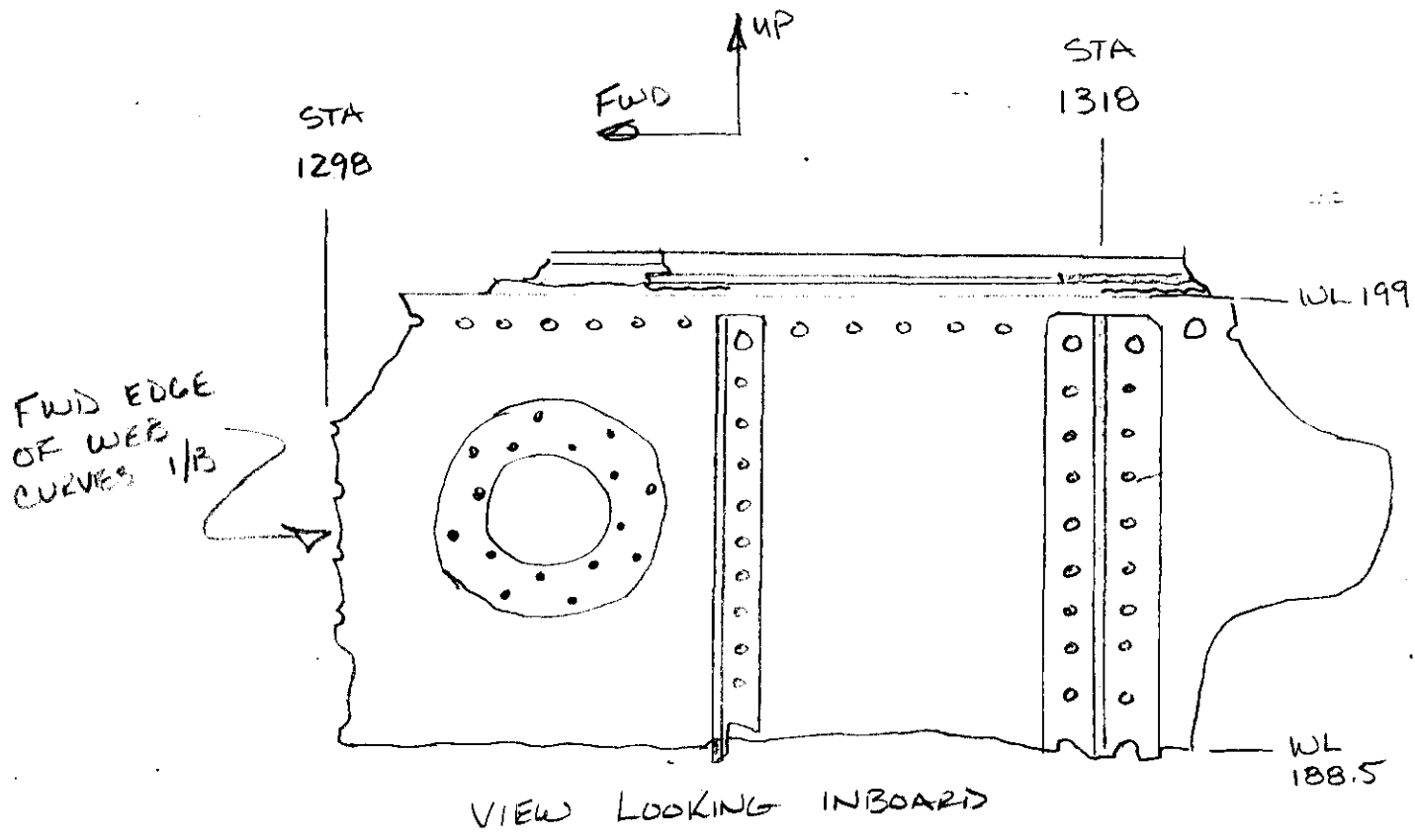


LOG # LF122
 TAC# TARGET # DZ106
 COORD: LAT _____
 LONG _____

MAIN DECK FLOOR BEAM

LBL 98.5B FROM STA 1298 TO STA 1325

DEBRIS FIELD WHITE



- * INDICATION OF SOOTING ON THE INBOARD SIDE OF THE FLOOR BEAM WEB FROM THE CIRCULAR CUTOUT FORWARD TO THE EDGE OF THE WEB. NOT SHOWN ON SKETCH
- * THE FLOOR BEAM WEB FRACTURED ABOVE THE LOWER CHORD VERTICAL LEG.
- * APPROXIMATELY 6.0 INCHES OF THE SEAT TRACK FAILED AT THE RADIUS, AS SHOWN ON SKETCH
- * A DARK TAR LIKE SUBSTANCE COATS THE LOWER SURFACE OF THE SEAT TRACK HORIZONTAL FLANGE AND APPEARS TO HAVE RUN DOWN THE FLOOR BEAM WEB. LOCATED ON BOTH SIDES OF THE FLOOR BEAM.
- * NO INDICATION OF ANY PENETRATIONS.

*R. Hanover
3/24/97
Boeing*

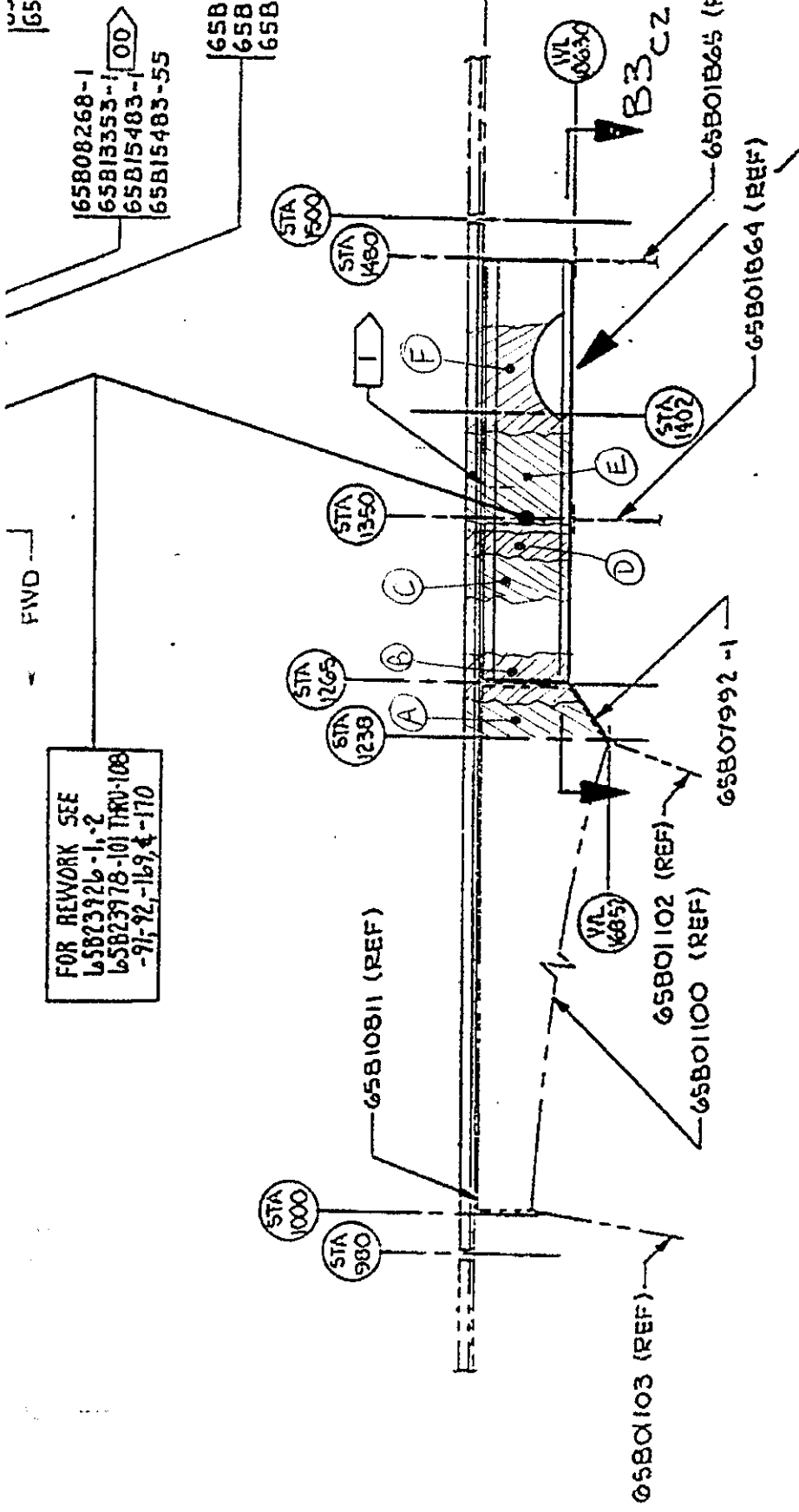
*Dennis Santop IAM
3-3-97*

*Amey Orell TWA
3-19-97*

*Leigh Johnson ALPA
3-17-97*

*Bob Brennan
2/28/97 FAA*

65B11 3-55



FOR REWORK SEE
 65B01926-1, 2
 65B01978-101 THRU 108
 -91, 92, 169, 4-170

FOR REWORK SEE
 65B01976-1, 2
 65B01978-1 THRU 12
 65B01980-1, 2, 3, 4

LBL 98.58
 FLRBM

ITEM	LOG #
A	LF121
B	LF102 *
C	LF122
D	LF123
E	LF124
F	LF111 *

UP
 FWD
 SCALE: NONE

C3

Boeing Proprietary
 SH: 0001 REV: R
 Not Valid After 03 17 1997
 Frame: 3 of 5
 Window Print

Order: 28563
 DWG: 65B07999
 Commercial Data

* PART OF