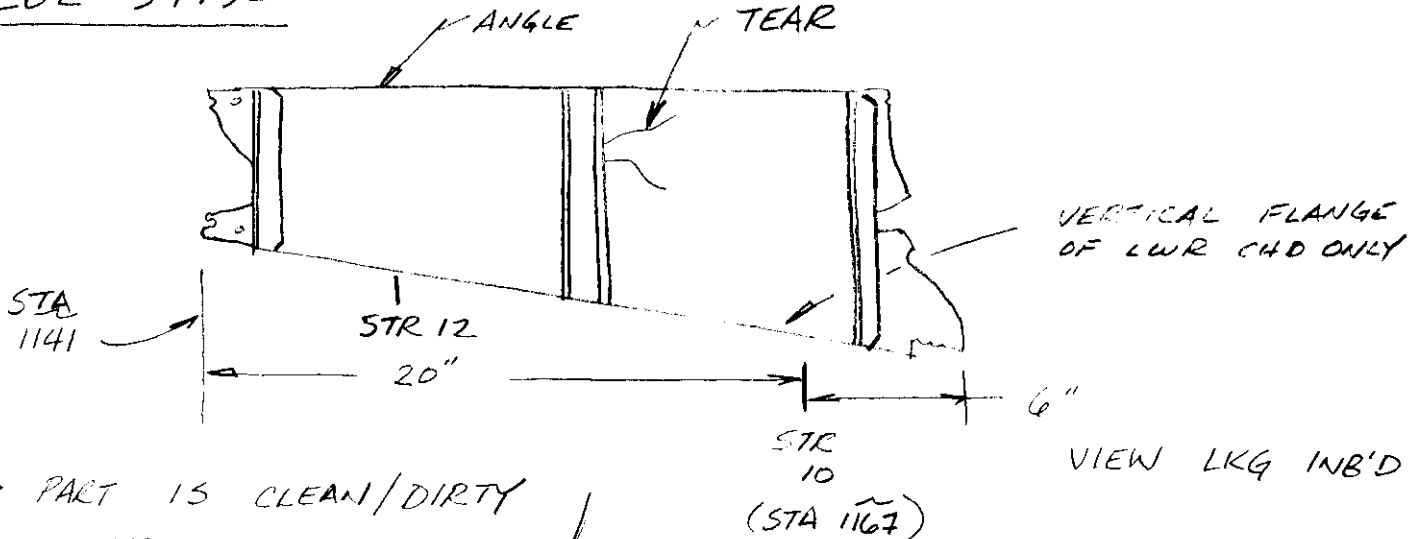


LONGITUDINAL OVER WING BEAMS

LOG #	FBI #	TAG #	DEBRIS FIELD	SOURCE #
1 FBM-37	9-20-96-33	Z 7 3403	GREEN	Z-3277

LBL 57.50



• PART IS CLEAN/DIRTY
NO SOOT

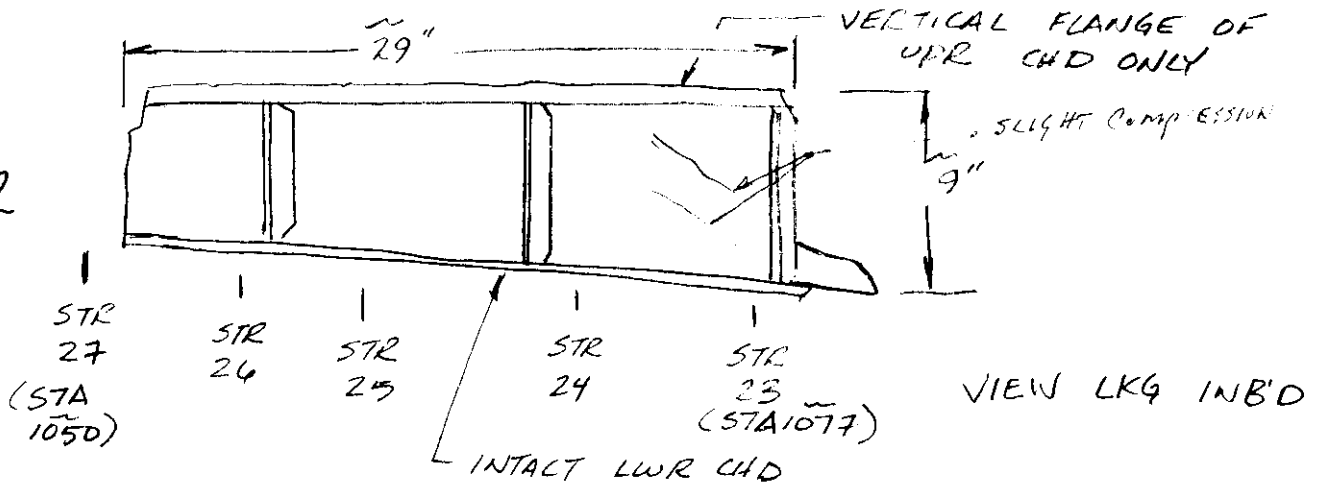
9A Reginald ALPA
4/9/97

Bl
TWA 3/26/97

Tom Todman
FAM 4-10-97

LOG #	FBI #	TAG #	DEBRIS FIELD
2 FBM-38	9-28-96-1	D2145	UNKNOWN

LBL
75.92



• PART IS SOOTED (LIGHTLY ON INB'D SIDE, MODERATE ON OUTB'D SIDE)

Tom Todman
4-10-97

Shandrick
TWA 3/26/97

Dennis Santiago IAM
4-7-97

Joseph A Reginald ALPA
4/9/97

R Hanover
3/16/97