

Docket No. SA-520

Exhibit No. 7-M

NATIONAL TRANSPORTATION SAFETY BOARD

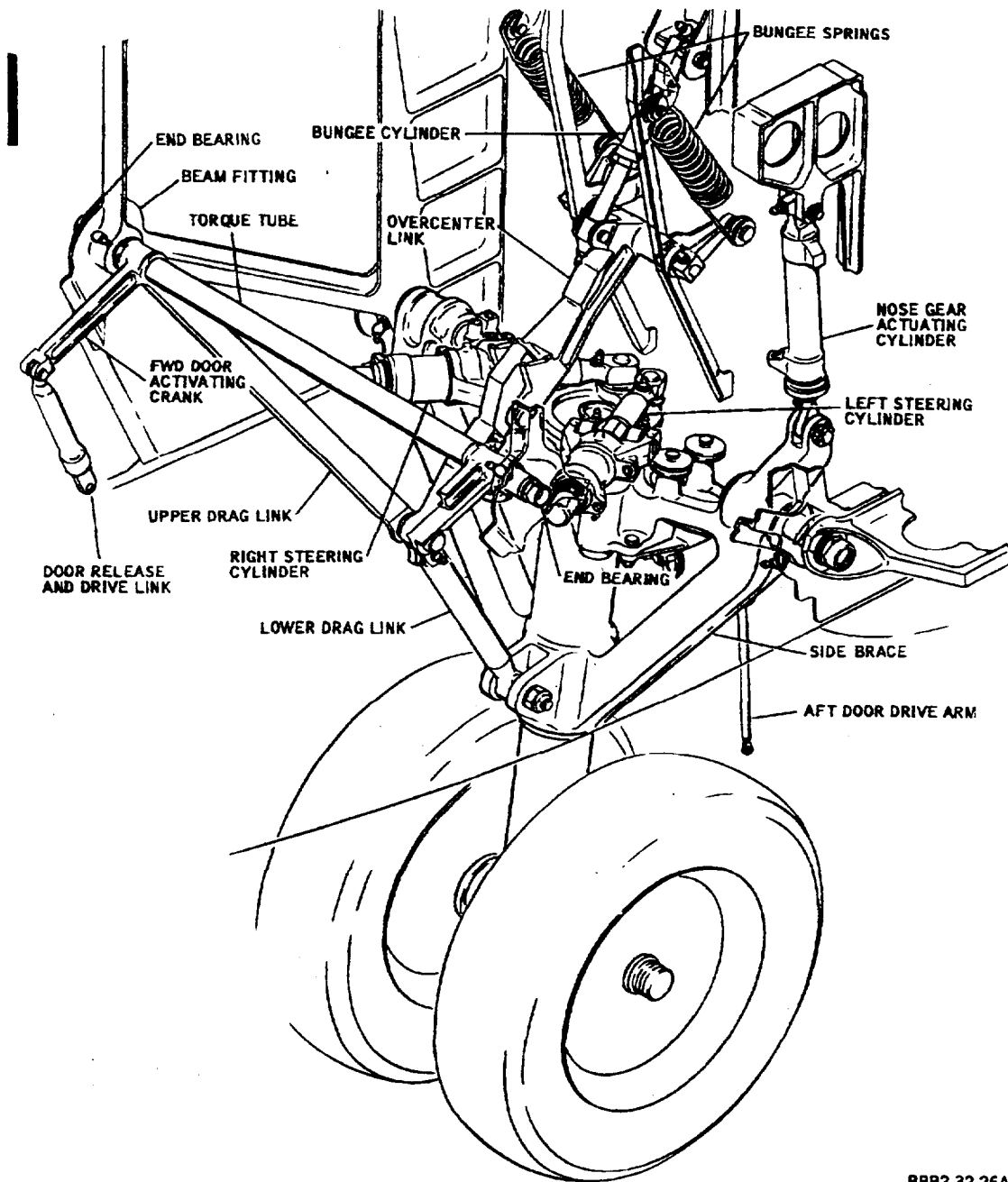
Washington, D.C.

Appendix L
Landing Gear Figures

(2 Pages)

MD-80

MAINTENANCE MANUAL



8882-32-26A

Nosegear
Figure 1

EFFECTIVITY: AS ALL

THESE DATA SUBJECT TO RESTRICTIVE LEGEND ON TITLE PAGE.

32-20-00

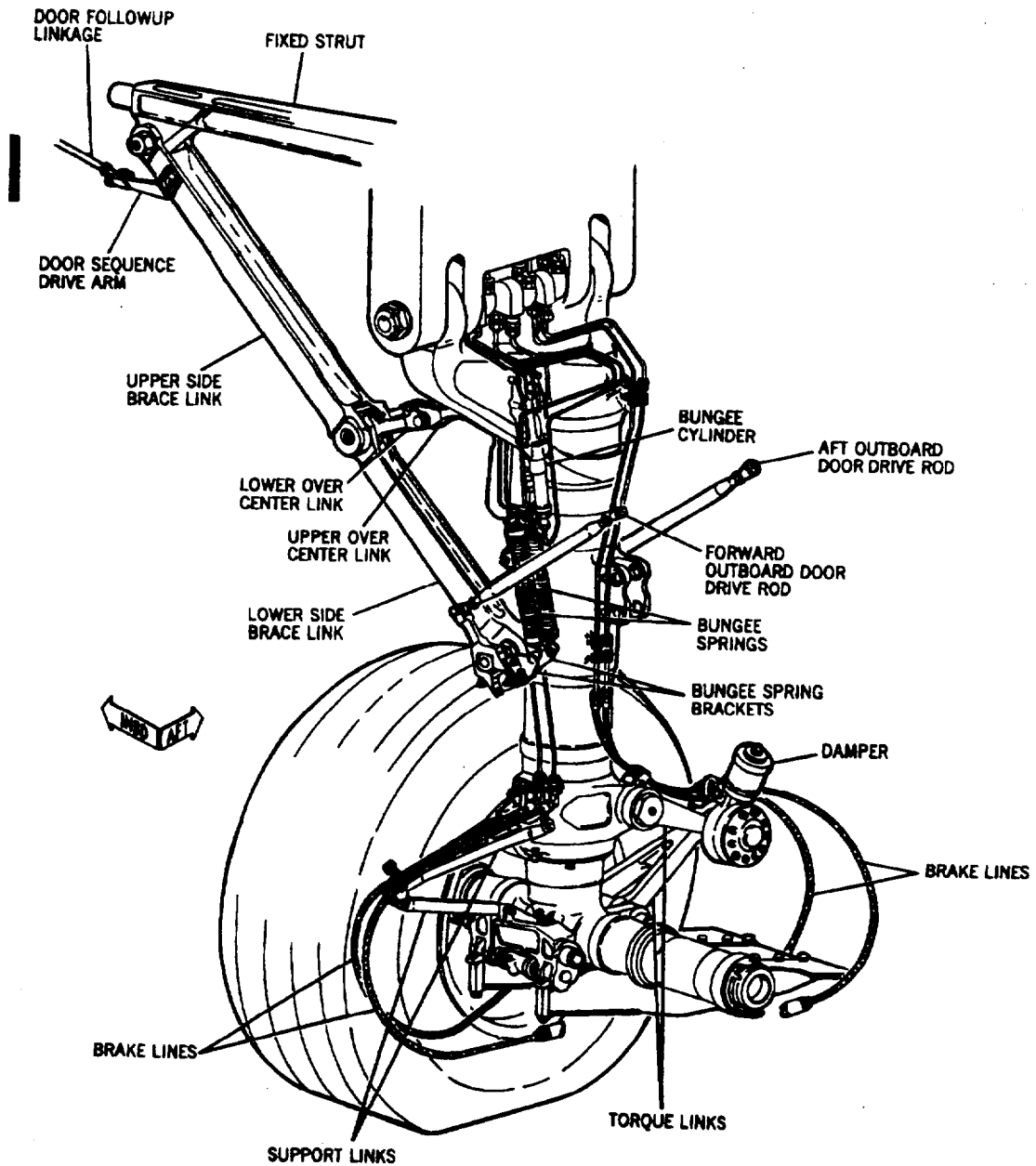
Page 3

Jun 1/84



MD-80

MAINTENANCE MANUAL



LEFT MAIN GEAR SHOWN
RIGHT GEAR OPPOSITE

8882-32-398

Main Gear
Figure 1

EFFECTIVITY: AS ALL
THESE DATA SUBJECT TO RESTRICTIVE LEGEND ON TITLE PAGE.

32-10-00

Page 2

Jun 1/84

