

Docket No. SA-520

Exhibit No. 7-D

NATIONAL TRANSPORTATION SAFETY BOARD

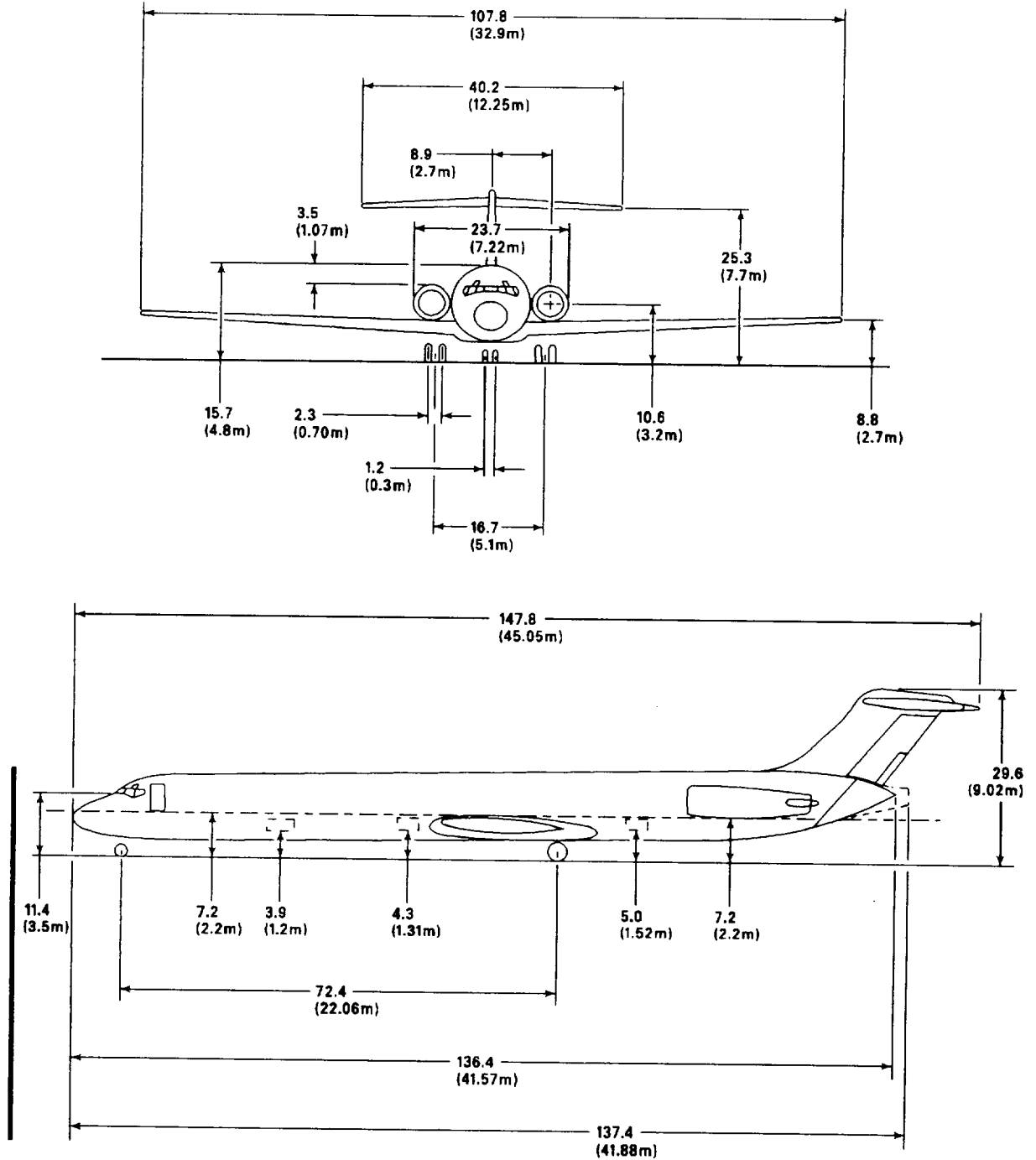
Washington, D.C.

Appendix C
Aircraft Dimensions

(2 Pages)

MD-80

MAINTENANCE MANUAL



CAG(IGDS)

8882-8-5C

Aircraft Dimensions
Figure 1 (Sheet 1)

EFFECTIVITY: AS ALL

THESE DATA SUBJECT TO RESTRICTIVE LEGEND ON TITLE PAGE.

06-10-00
Page 2
Jan 1/96

