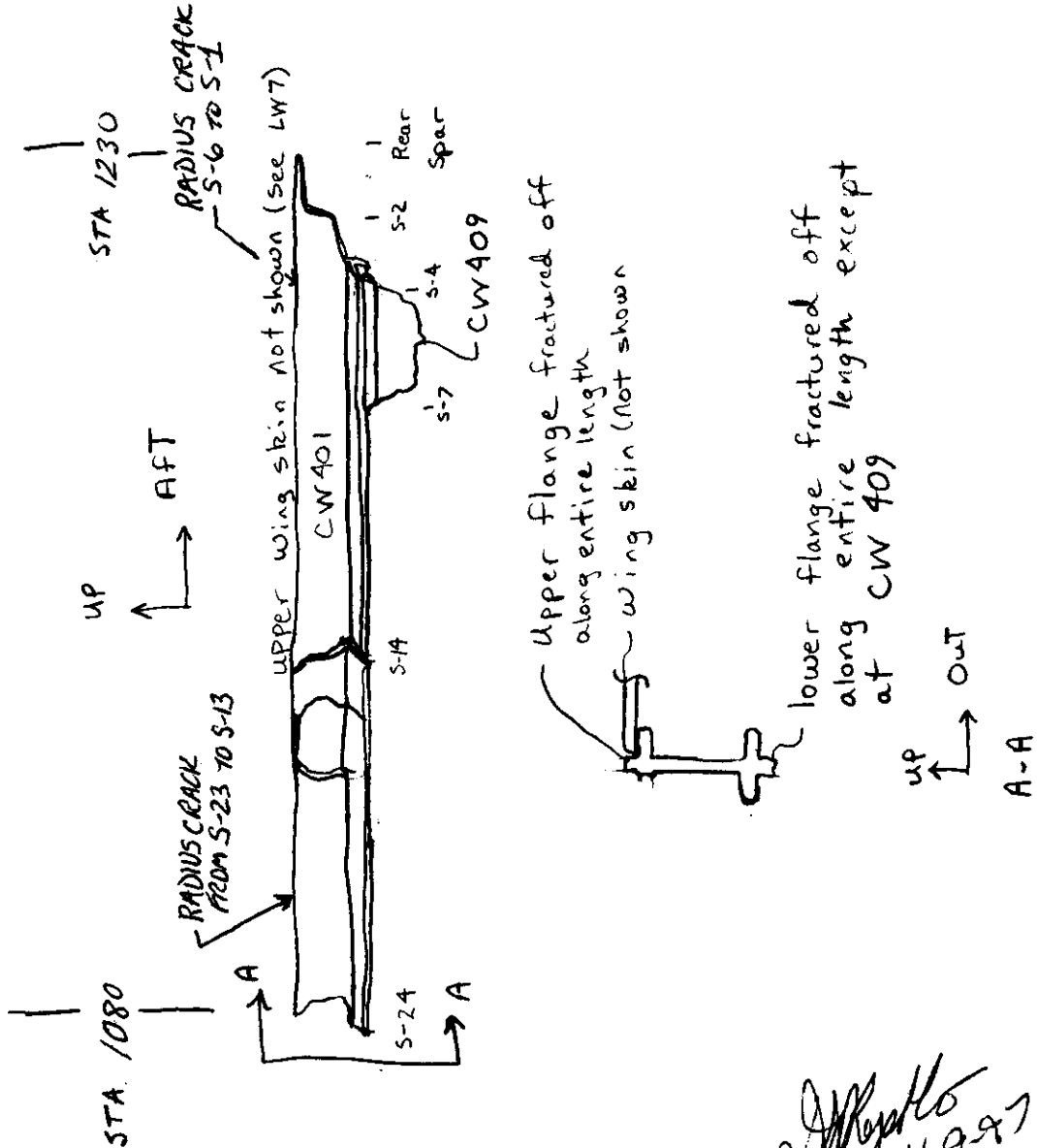


CW 401 (LW-7)
 Tag # C-114 (Green)

Left Wing To Side of Body Double Plus
 Chord Segment. Attached to left upper wing skin
 panel segment (LW-7).

Also attached is a segment of the left side of
 body Rib (CW409). Rear Spar to Stringer 24.

Stringers and Wing skin are not shown.
 • NO SCOTING NOTED.



Dennis Santiago IAM
 4-10-97

Tom Todino
 FRA 4-11-97

Joseph A
 4/9/97
 ALPA

4-9-97

Jim Powers
 Boeing
 4-8-97