

SIDE OF BODY RIB - RIGHT WING - WING CENTER TANK

CW-310

Z-2729

GREEN

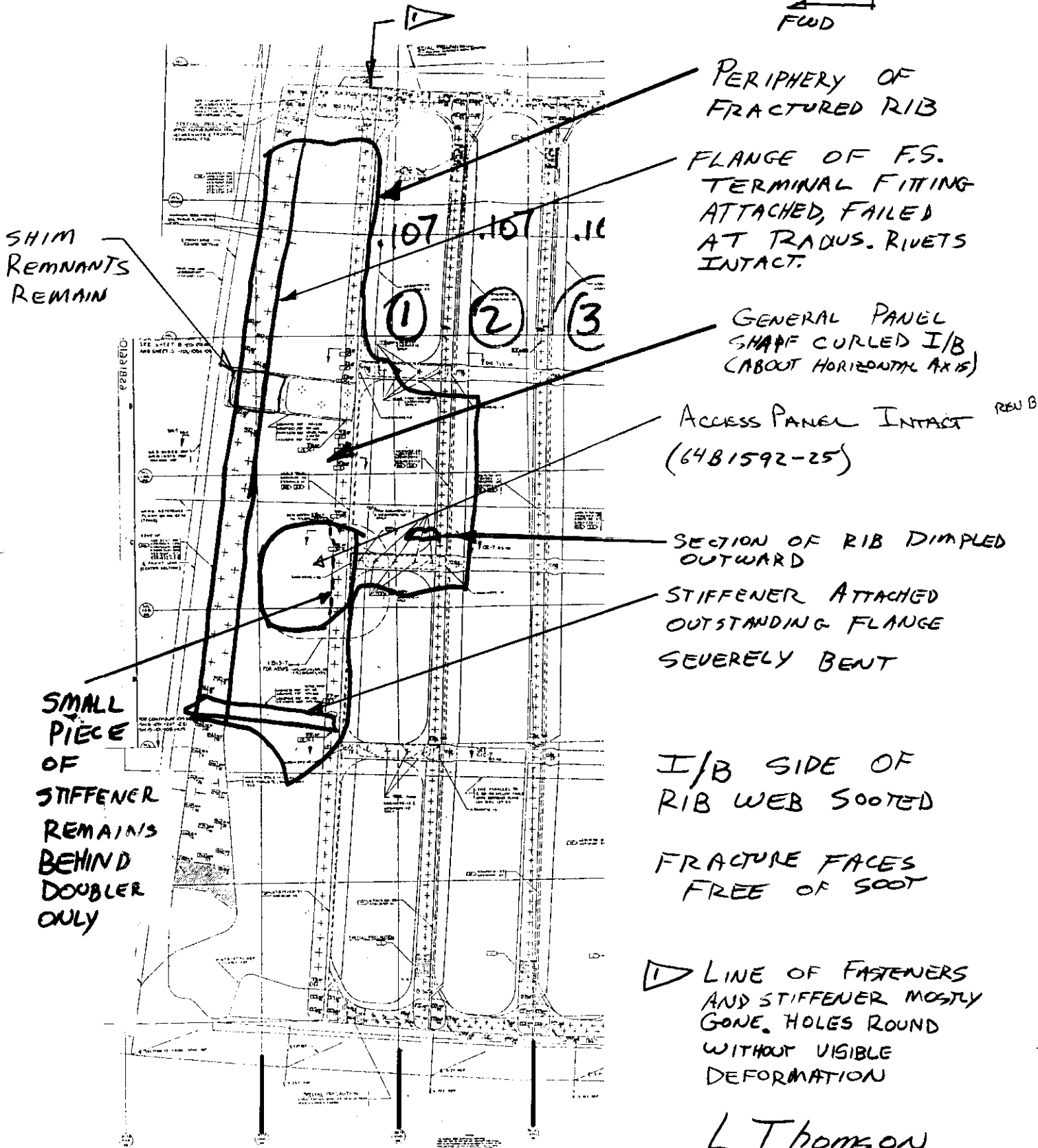
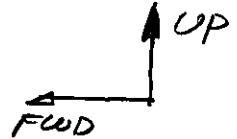
This segment is a portion of side of body rib web and front spar terminal fitting attach flange that measures 42" tall and as much as 20" wide. There is also a small close-out panel that remains attached to the web. There is only a 7" long portion of stiffener web attach flange that remains attached to the web adjacent to the close-out panel.

In a vertical direction, the panel is bowed outbd at the mid-height and the upper end is also bent aft. All of the sealant remains visually intact around the close-out panel. The following sketches describe the periphery of the part and it's overall shape and condition. All fractures are ductile.

There is soot on the inbd side of the panel. See the fire and explosion group notes for complete documentation.

W. Stuyant 11/2/96 BOEING  
J. Mykle 11-26-96 JWA  
J. Sengler 12-2-96 FAA  
R. Brackley 12-7-96 IAM  
SD GREEN 12-16-96 ALPA

CW 310 (9-23-96-1) Z2729 GREEN TAG  
 SIDE OF BODY RIB - RIGHT SIDE



BSTA  
1010

BSTA  
1020

BSTA  
1030

L THOMSON

9-24-96

2

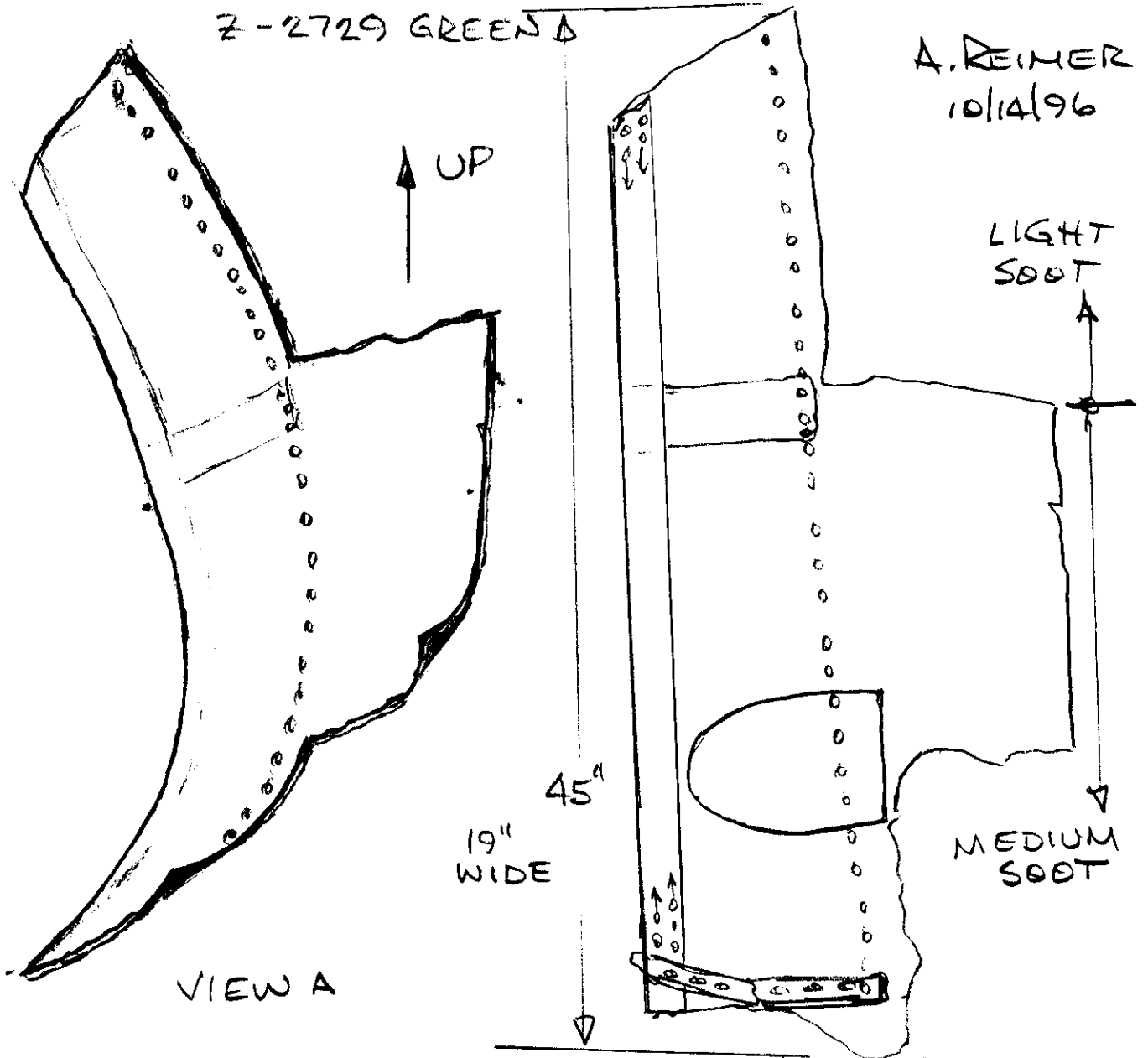
REV 9-25 LT

REF B 11-10-96 WLS/SPJ

RH SIDE OF BODY RIB PIECE CW-310

Z-2729 GREEN D

A. REIMER  
10/14/96



VIEW A

VIEW LOOKING FWD  
ALONG RBL 127.5

VIEW B

ELEVATION VIEW  
OF FLAT DEVELOPED  
PATTERN. LOOKING  
OUTSID.

