



NATIONAL TRANSPORTATION SAFETY BOARD

Office of Aviation Safety

Washington, D.C. 20594

STRUCTURES GROUP CHAIRMANS FACTUAL REPORT

DCA06MA010

Attachment B
Aircraft Information

Aircraft Dimensions

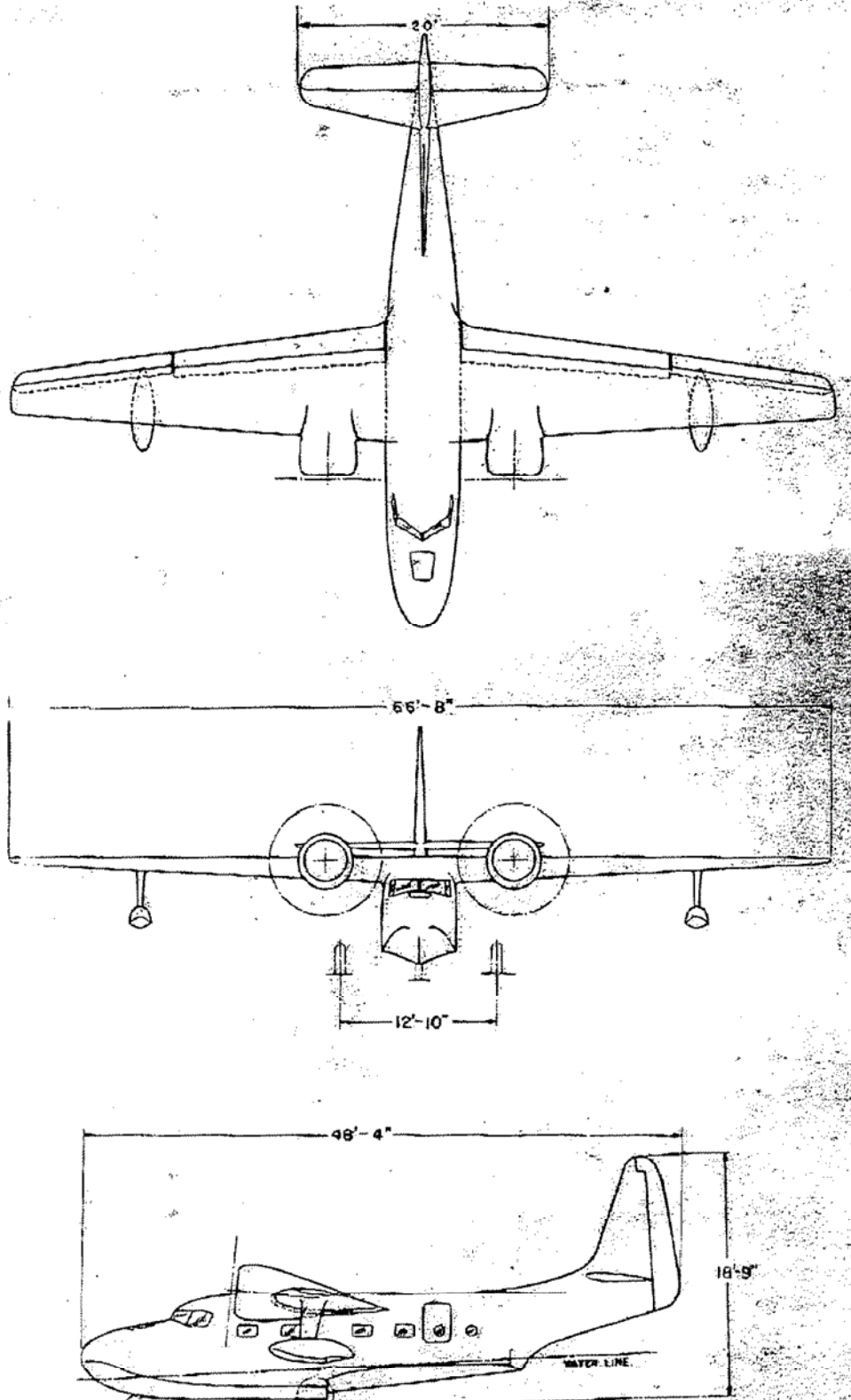


Figure 1

Wing and Fuselage Stations

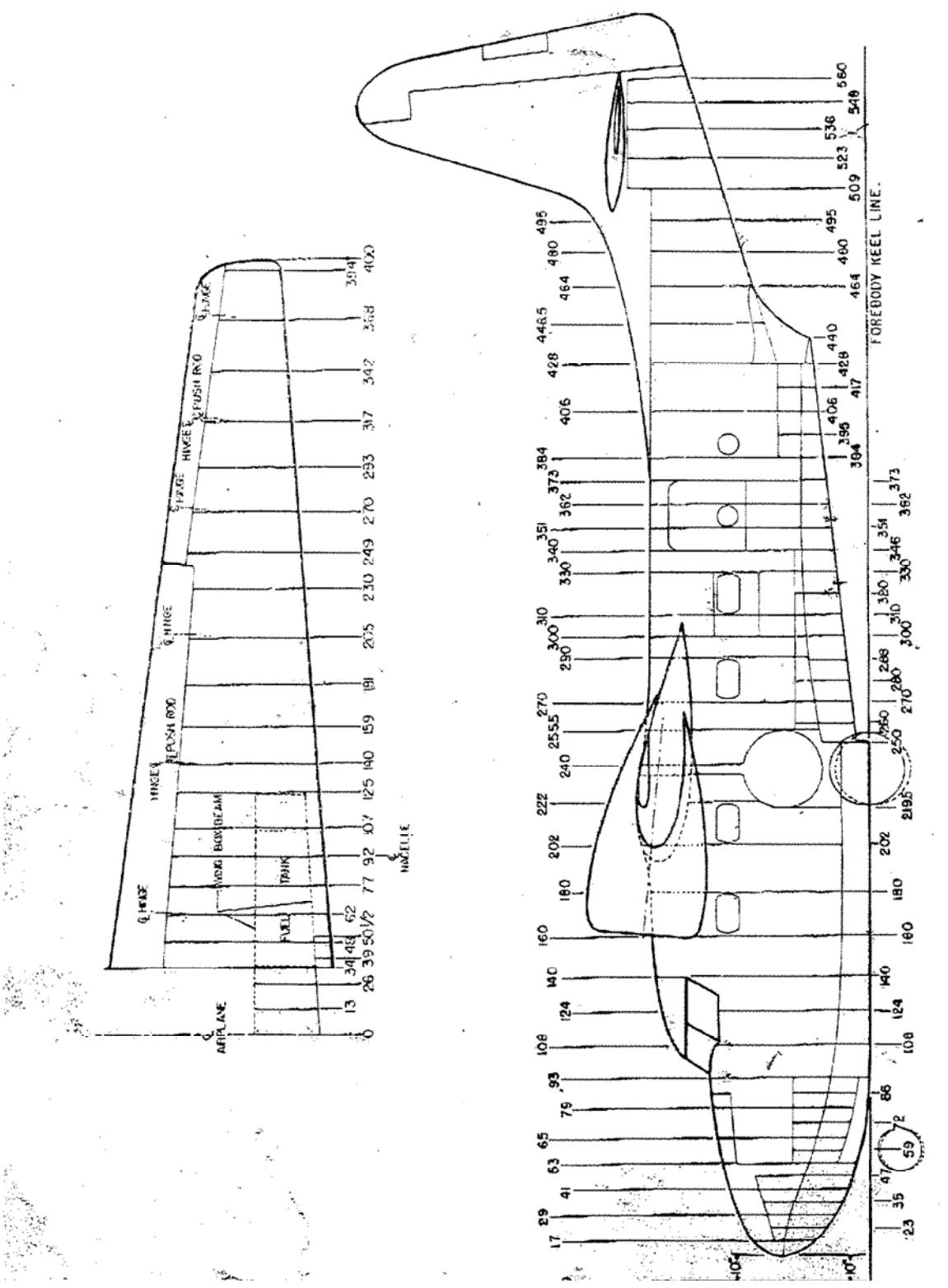
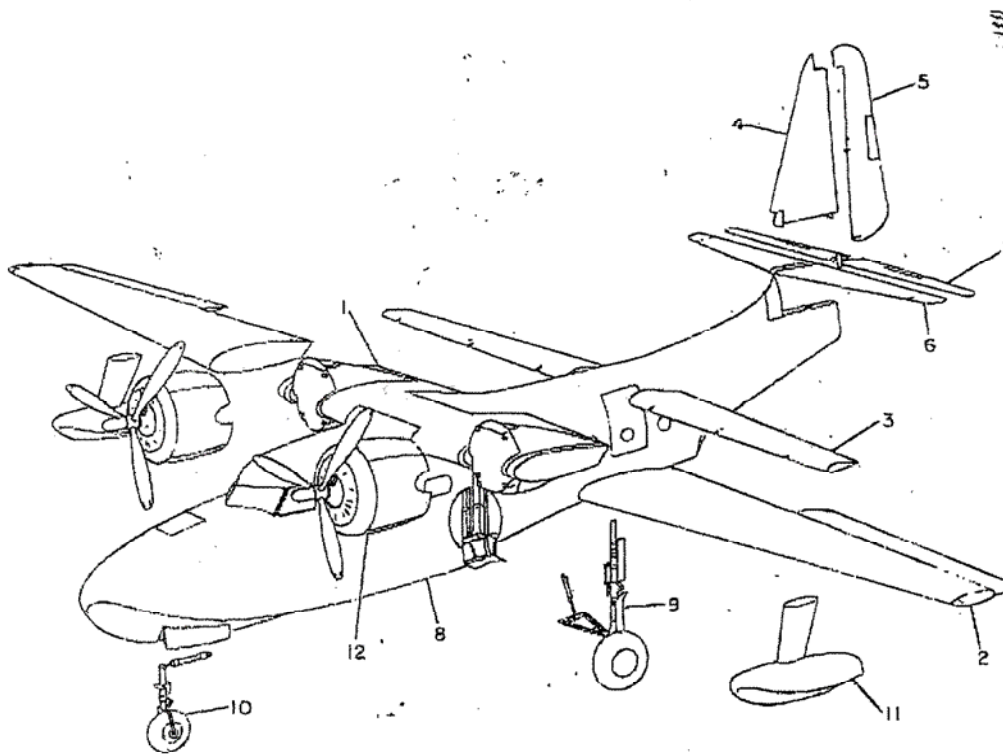


Figure 2

Exploded View



Index No.	Figure No.	Index No.	Figure No.
WING CENTER SECTION			
1. Wing Center Section.....	2-30		
WING OUTER PANEL			
2. Wing Outer Panel.....	31-45		
FLAP			
3. Flap.....	46-47		
TAIL			
4. Fin.....	48		
5. Rudder.....	49-52		
6. Stabilizer.....	53		
7. Elevator.....	54-57		
HULL			
8. Hull.....	58-187		
ALIGHTING GEAR			
9. Main Wheels.....	188-204		
10. Nose Wheel.....	205-210		
11. Float.....	211-213		
POWER PLANT			
12. Power Plant.....	214-250		
LOOSE EQUIPMENT			
Loose Equipment.....	251		

Figure 3

Wing Center Box Section
WS 125 to WS 125

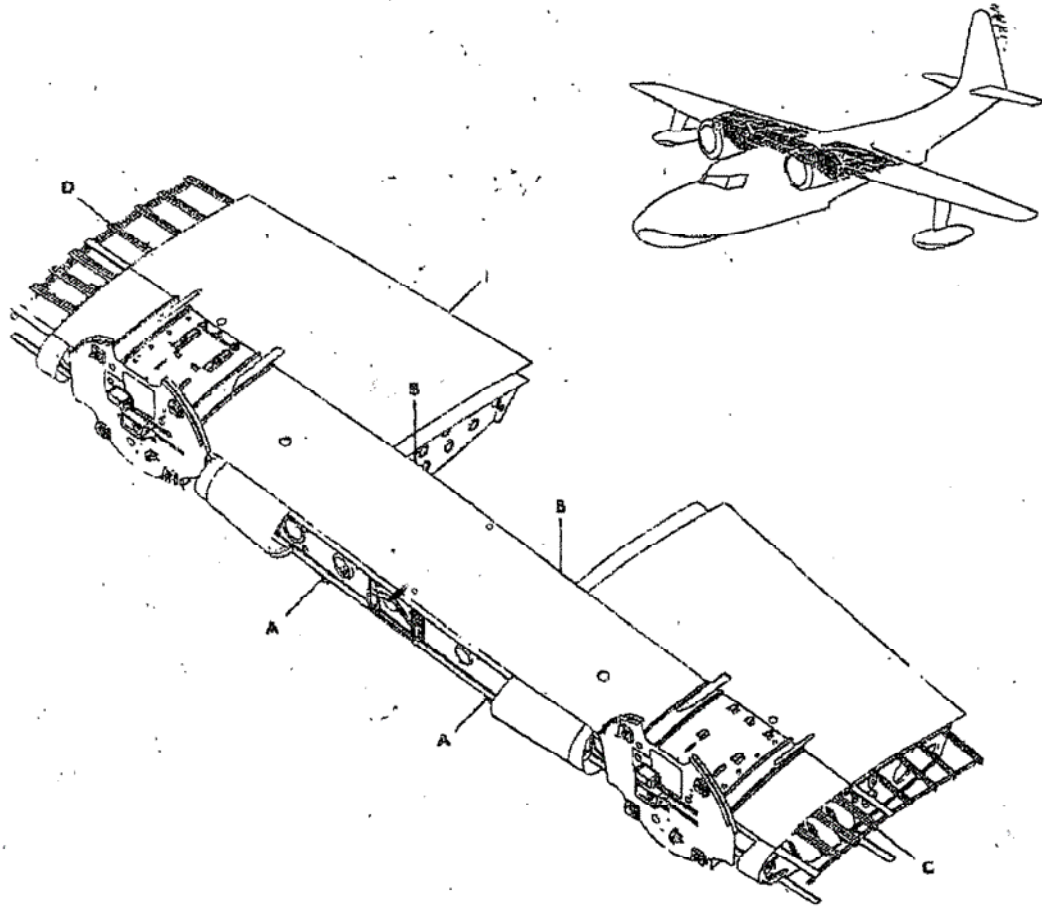


Figure 4