

APPENDIX A

SECTION A4 (CENTER WING SECTION)

CENTER WING TANK - GENERAL CONFIGURATION

CW Designation

Upper Skin	CW-100
Lower Skin	CW-200
RSOB Rib	CW-300
LSOB Rib	CW-400
Front Spar	CW-500
SWB #3	CW-600
SWB #2	CW-700
Mid Spar	CW-800
SWB #1	CW-900
Rear Spar	CW-1000
BL 0.0 Rib	CW-1100

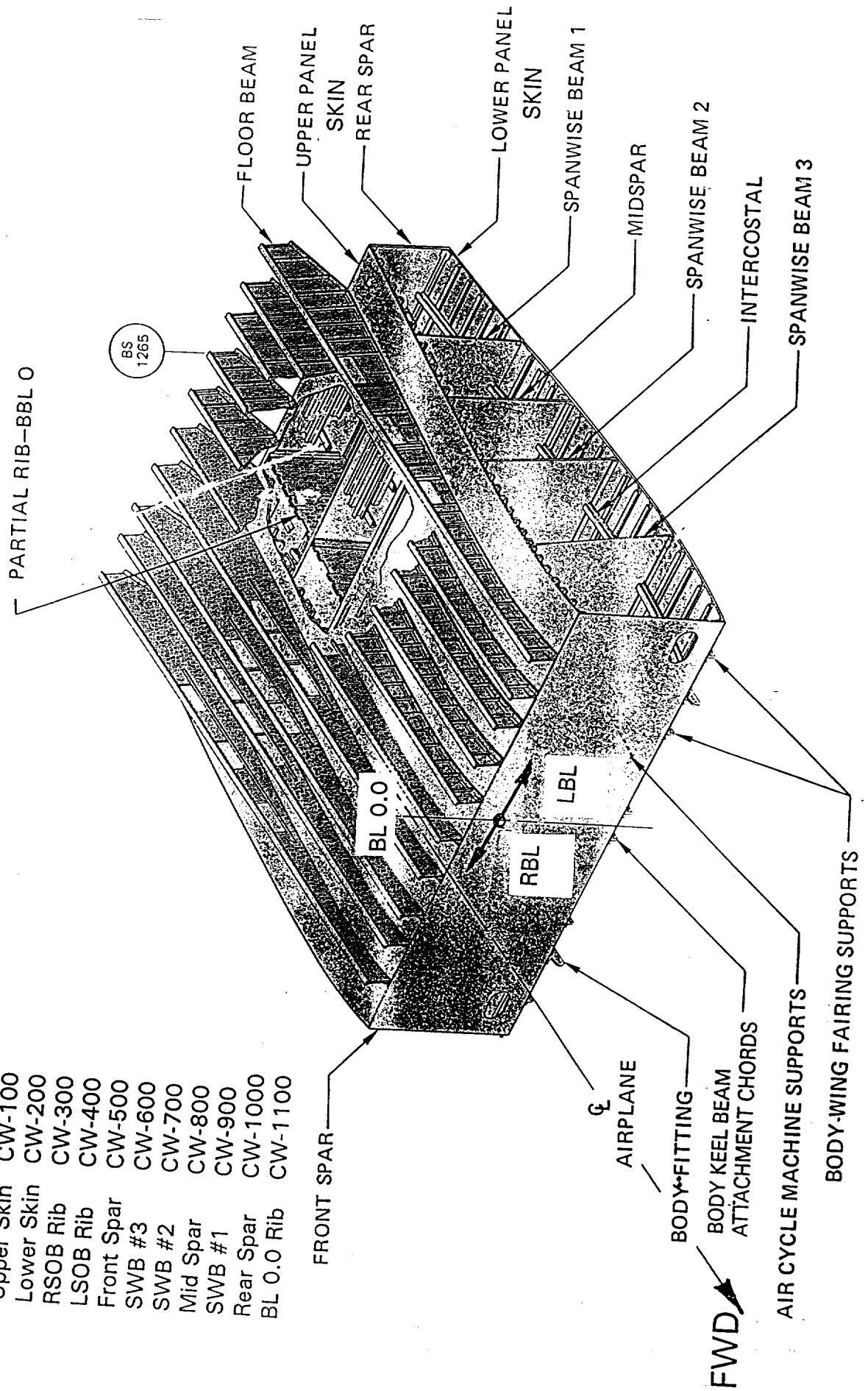
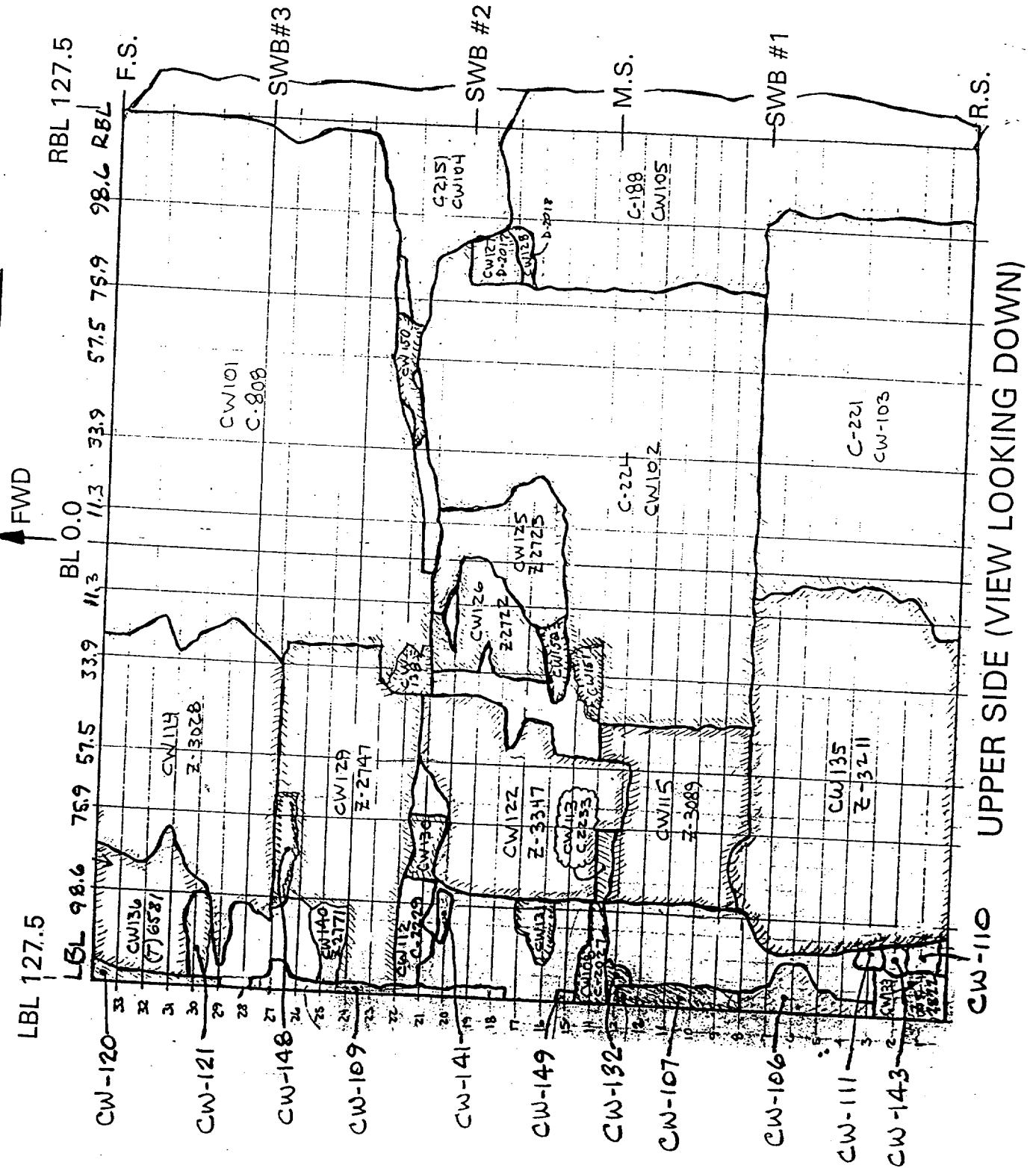
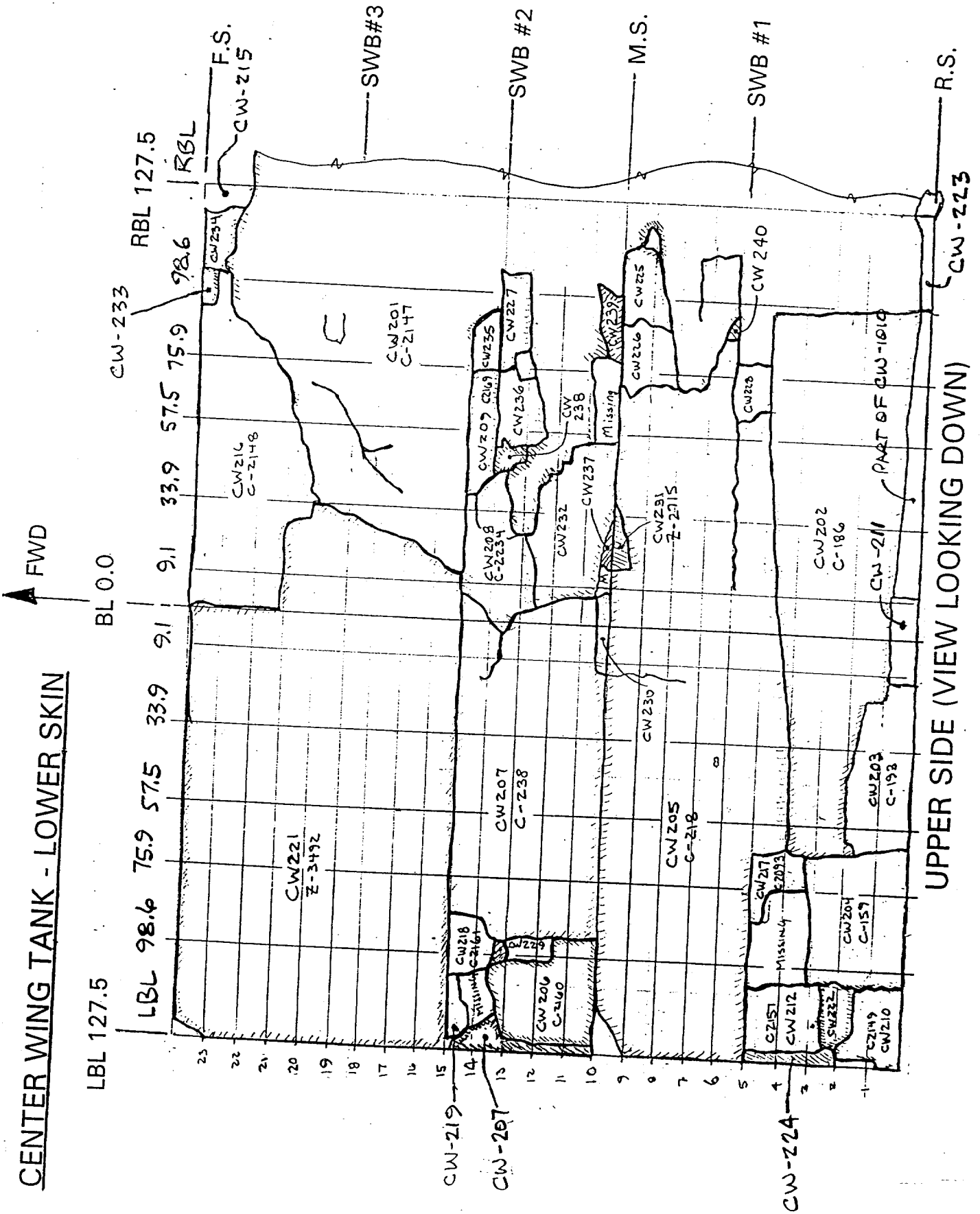


FIGURE 1

CENTER WING TANK - UPPER SKIN



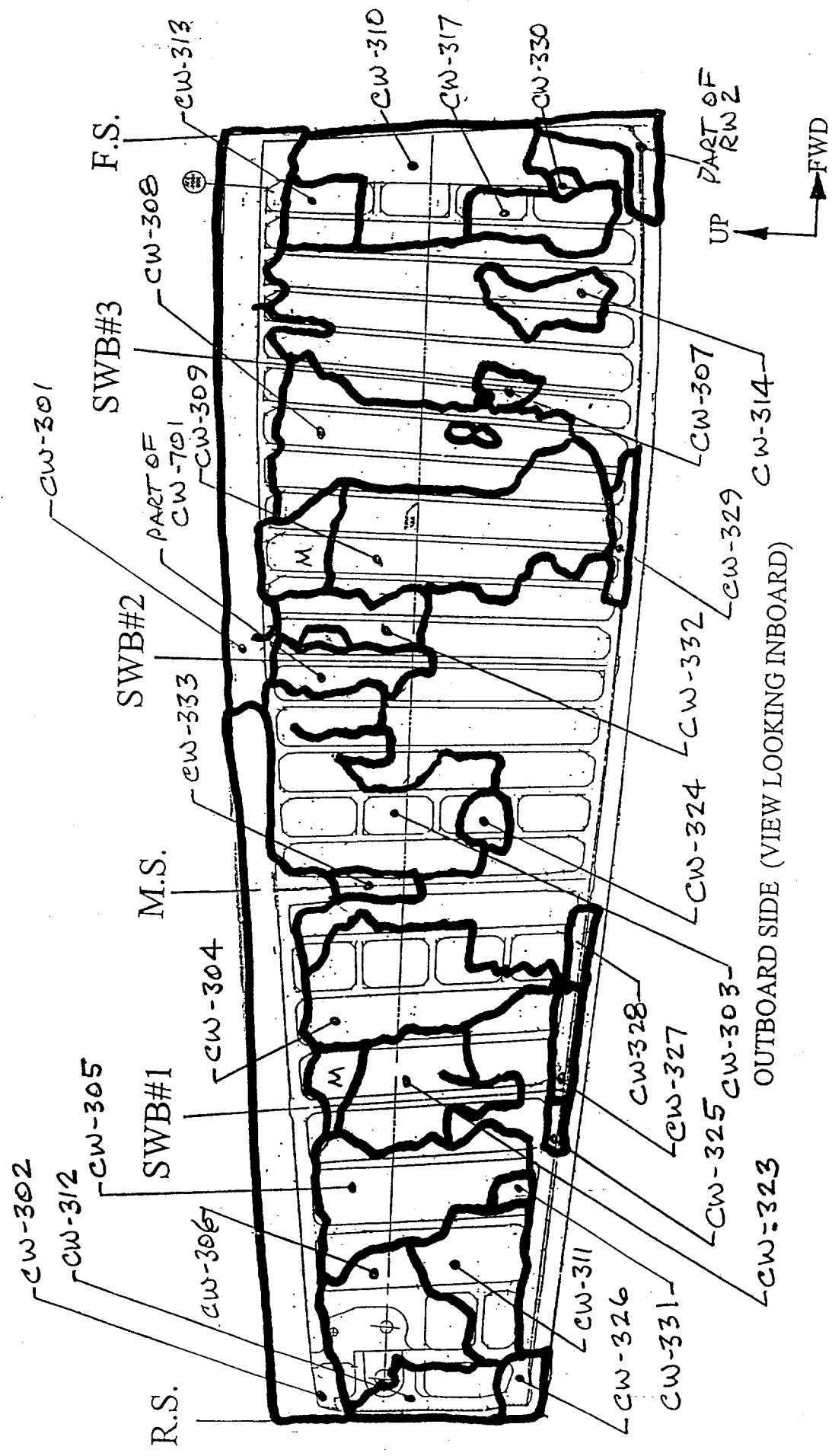
CENTER WING TANK - LOWER SKIN



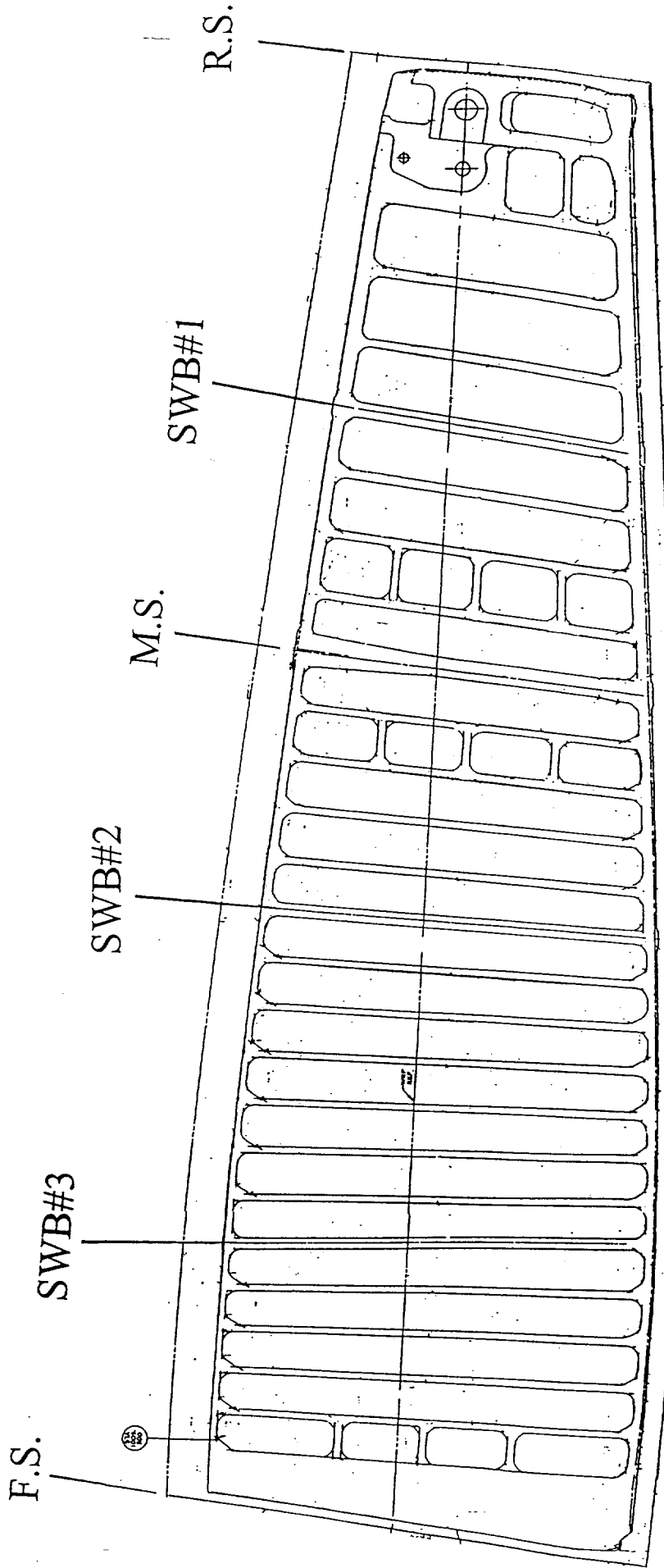
UPPER SIDE (VIEW LOOKING DOWN)

ITEMS NOT SHOWN
 CW-315, 316, 318, 319
 CW-320, 321, 322

CWT SIDE-OF-BODY RIB RBBL 127.5

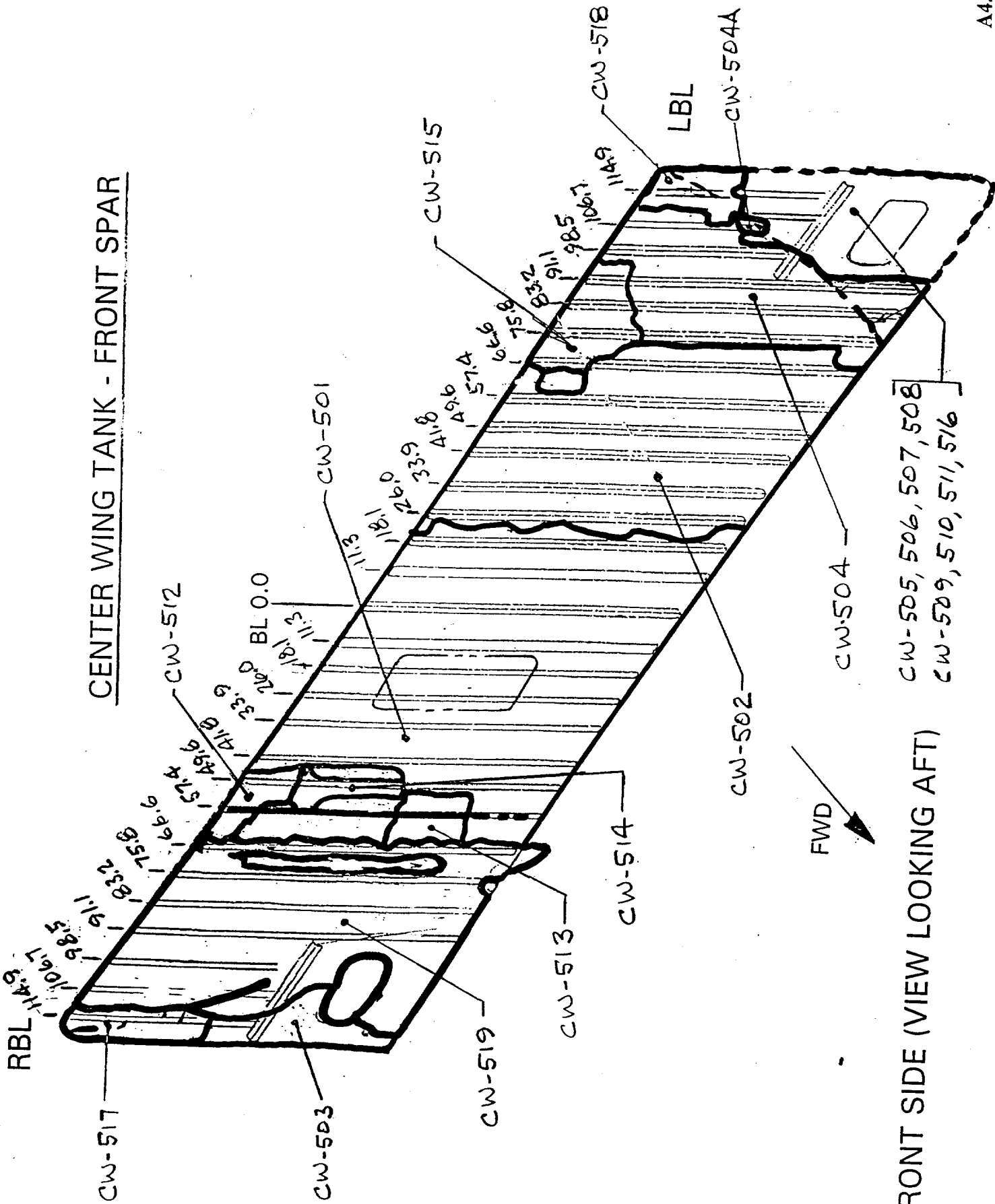


CWT SIDE-OF-BODY RIB LBBL 127.5



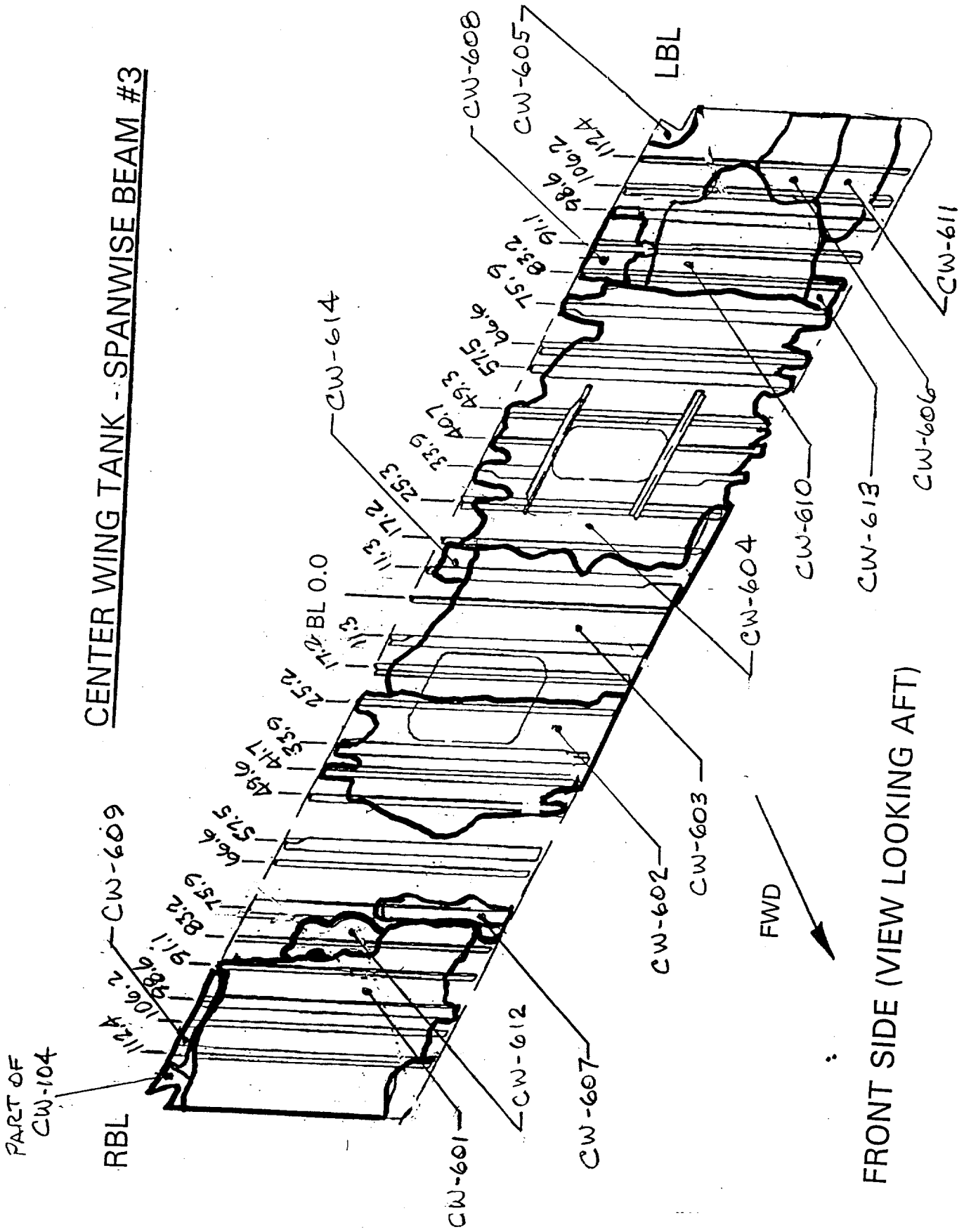
OUTBOARD SIDE (VIEW LOOKING INBOARD)

CENTER WING TANK - FRONT SPAR

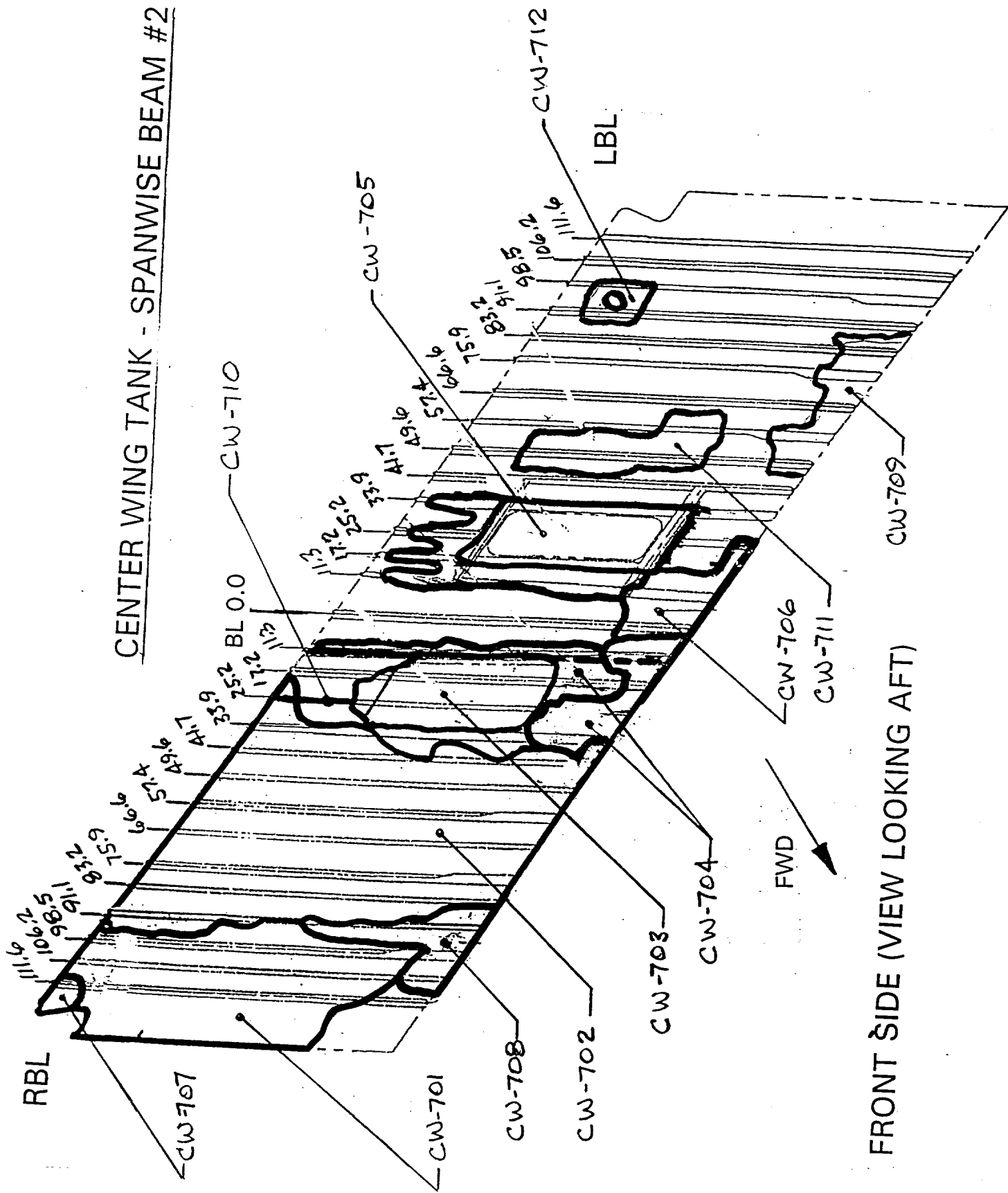


FRONT SIDE (VIEW LOOKING AFT)

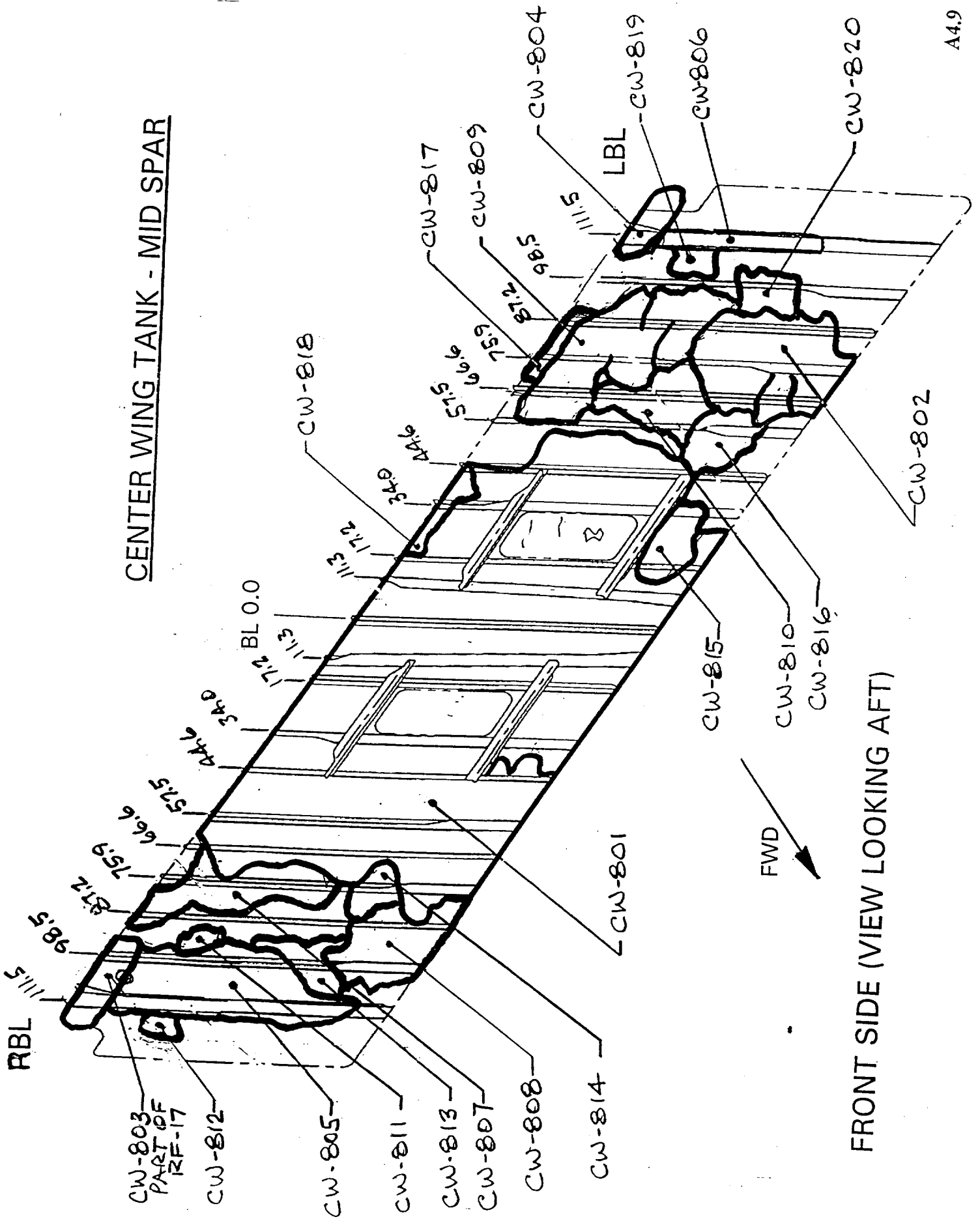
CENTER WING TANK - SPANWISE BEAM #3



FRONT SIDE (VIEW LOOKING AFT)

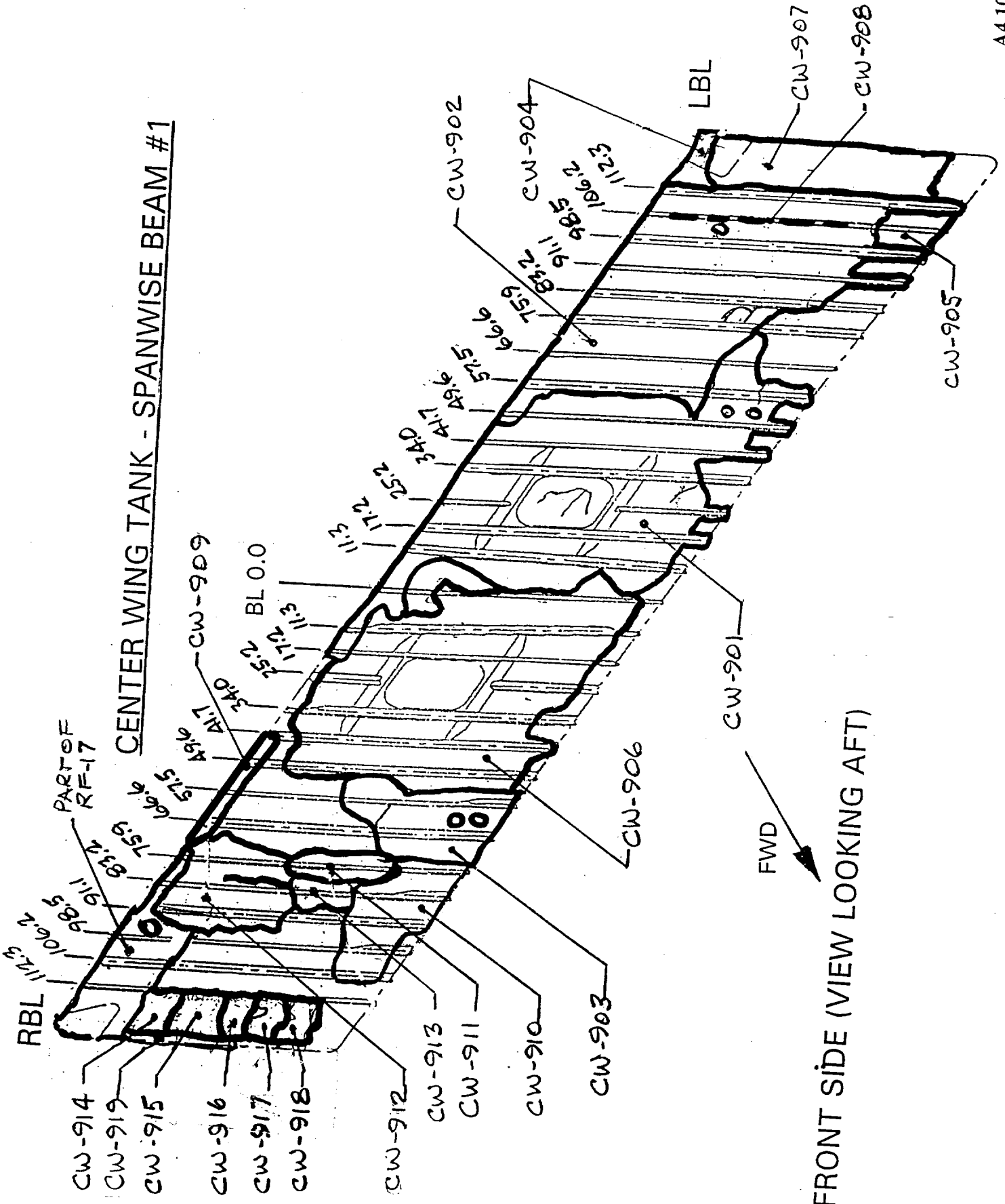


CENTER WING TANK - MID SPAR



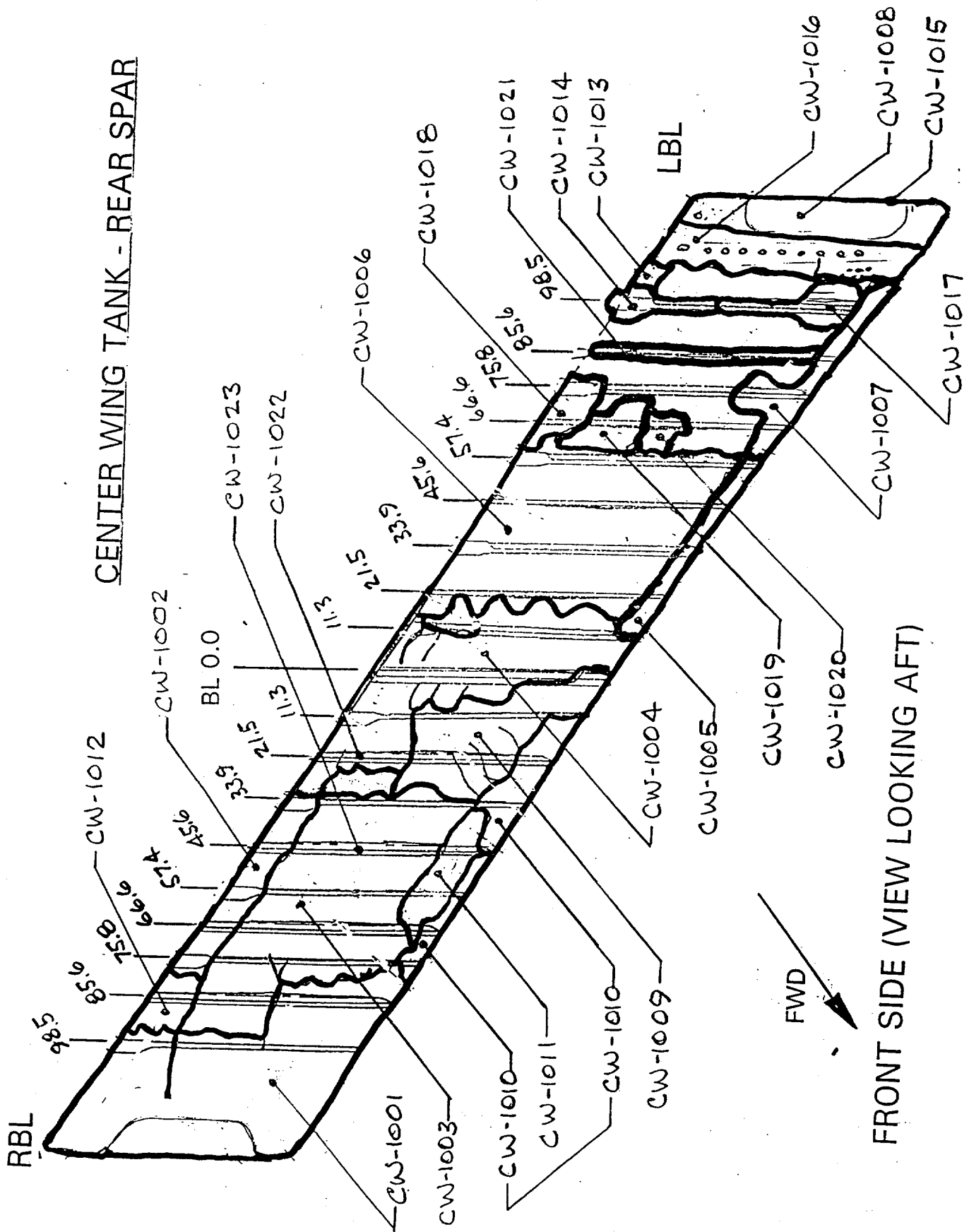
FRONT SIDE (VIEW LOOKING AFT)

CENTER WING TANK - SPANWISE BEAM #1



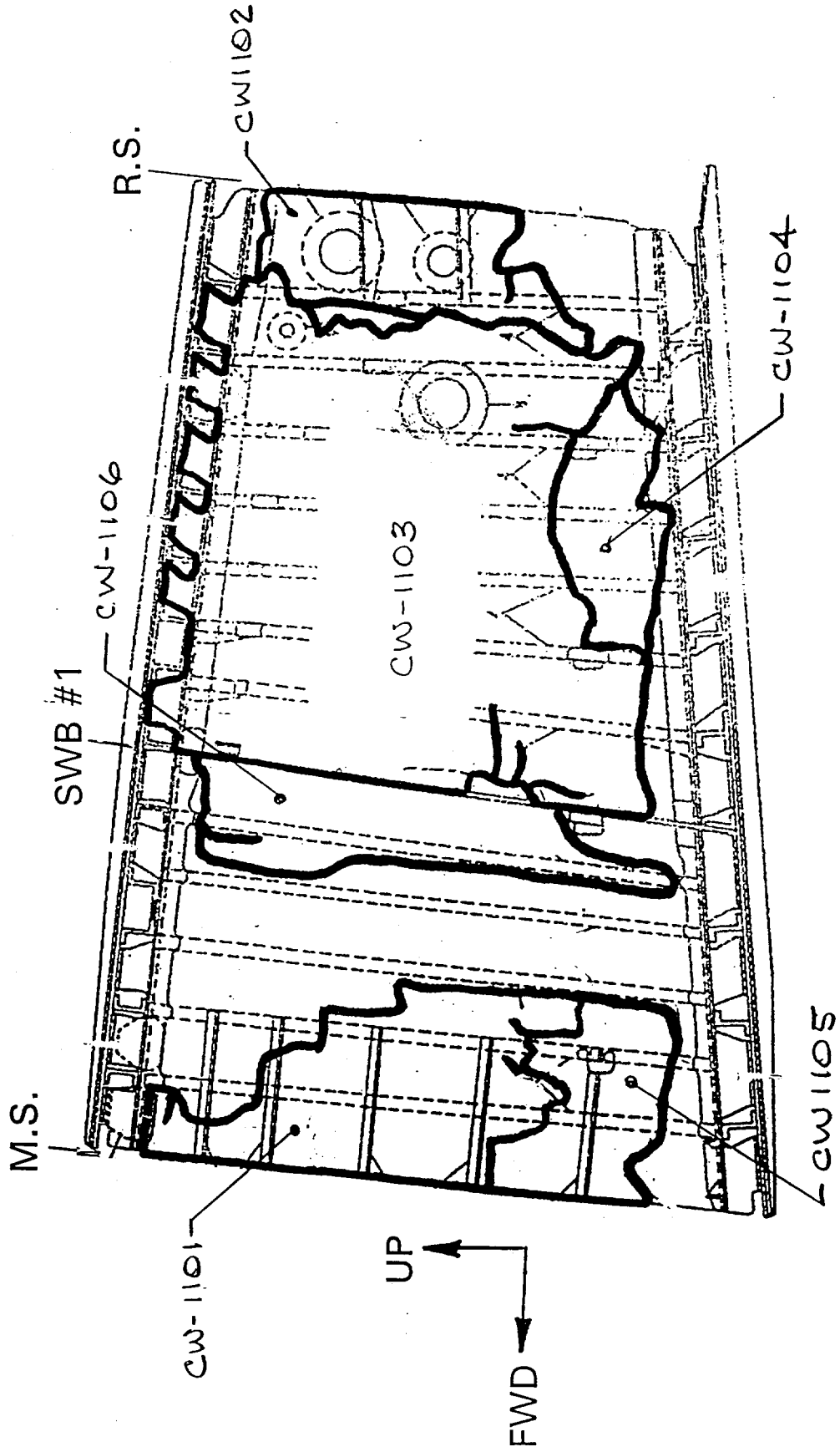
FWD
 FRONT SIDE (VIEW LOOKING AFT)

CENTER WING TANK - REAR SPAR



FRONT SIDE (VIEW LOOKING AFT)

CENTER WING TANK - BL 0.00 RIB



LEFT SIDE (VIEW LOOKING RIGHT)