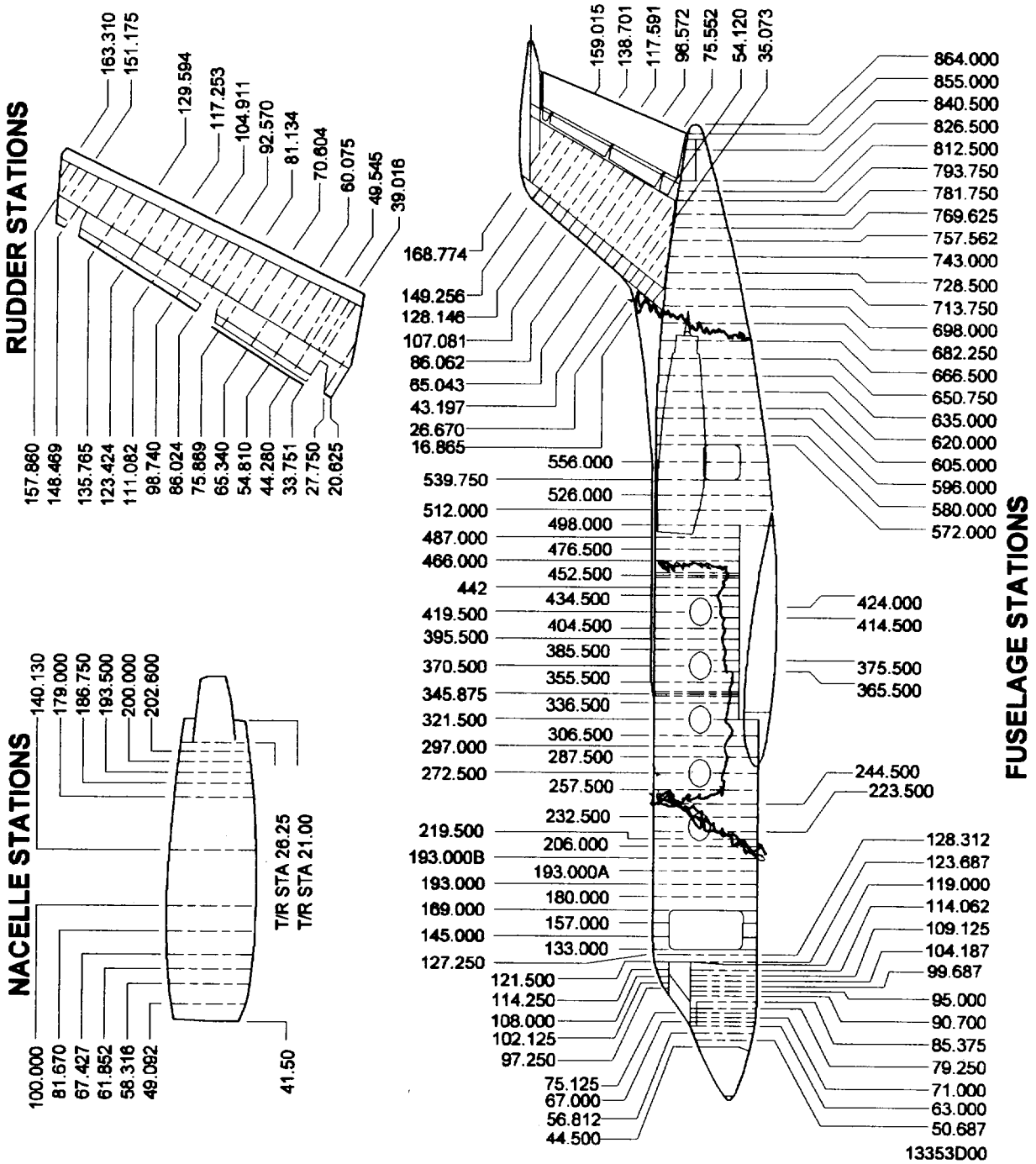


**APPENDIX C**

**AIRPLANE DIAGRAMS**

# Gulfstream III

## MAINTENANCE MANUAL



Station Diagram  
Figure 3

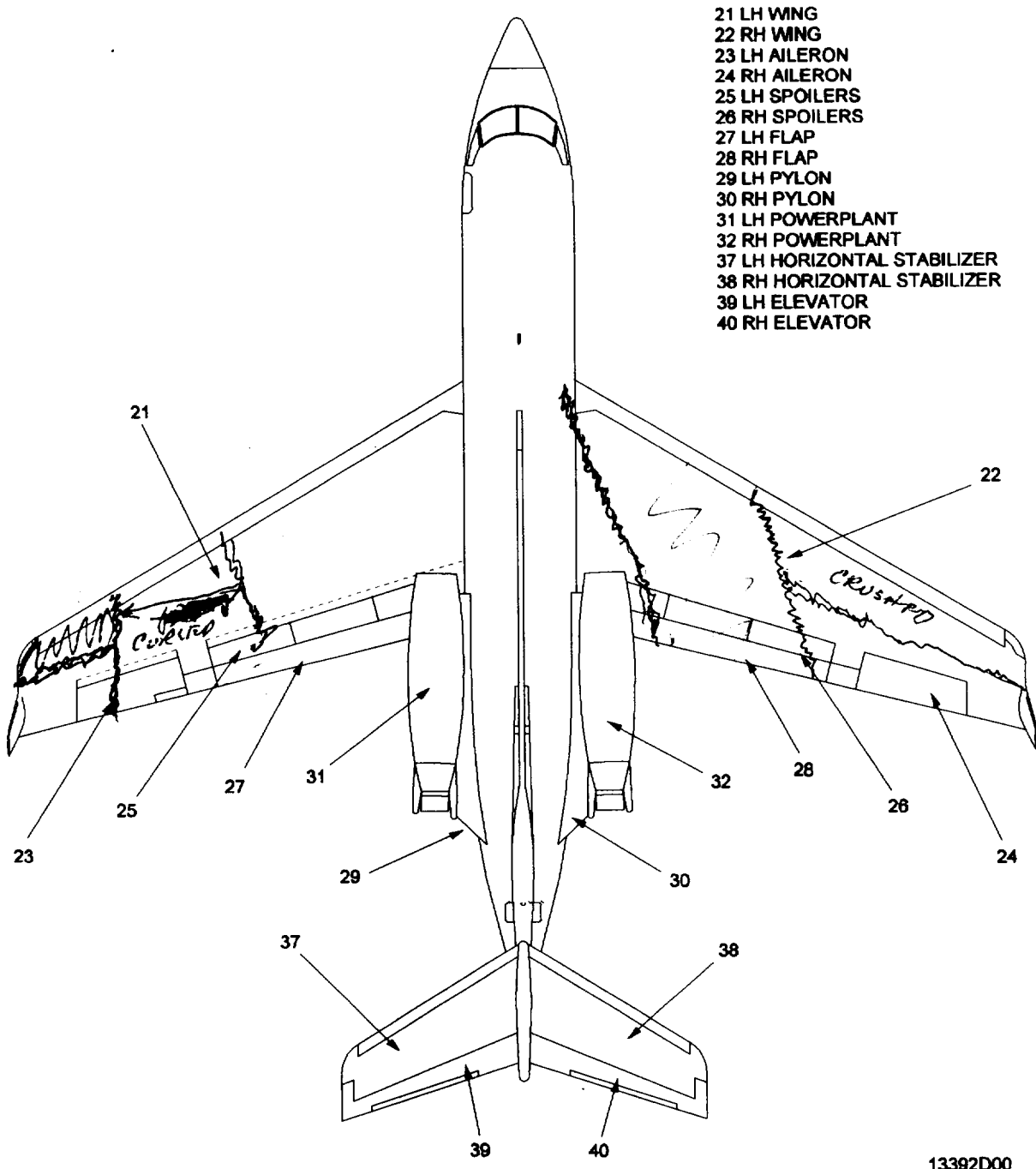
**06-00-00**

Page 5  
September 30/00

APPENDIX C

# Gulfstream III

## MAINTENANCE MANUAL



- 21 LH WING
- 22 RH WING
- 23 LH AILERON
- 24 RH AILERON
- 25 LH SPOILERS
- 26 RH SPOILERS
- 27 LH FLAP
- 28 RH FLAP
- 29 LH PYLON
- 30 RH PYLON
- 31 LH POWERPLANT
- 32 RH POWERPLANT
- 37 LH HORIZONTAL STABILIZER
- 38 RH HORIZONTAL STABILIZER
- 39 LH ELEVATOR
- 40 RH ELEVATOR

13392D00

Area Legend – Wings, Pylon, Power Plants and Tail  
Figure 1 (Sheet 1 of 4)

**06-50-00**  
Page 2  
September 30/00

APPENDIX C